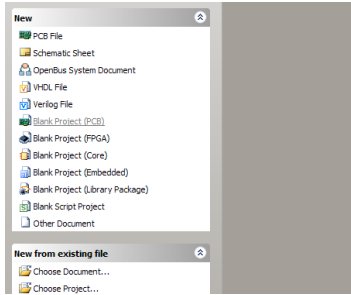
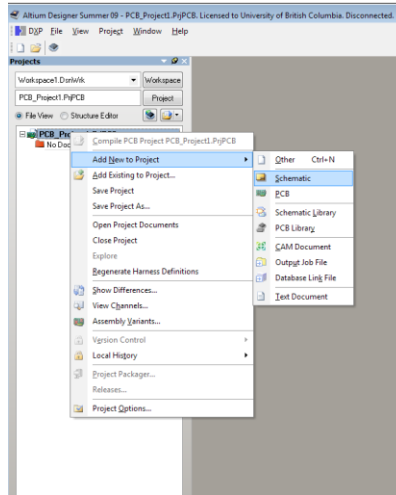


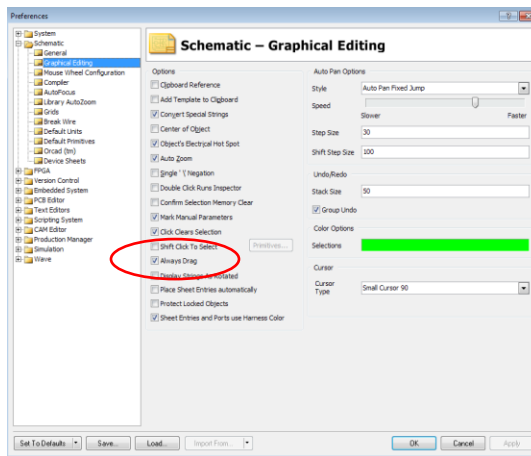
# Create New Project / Schematic



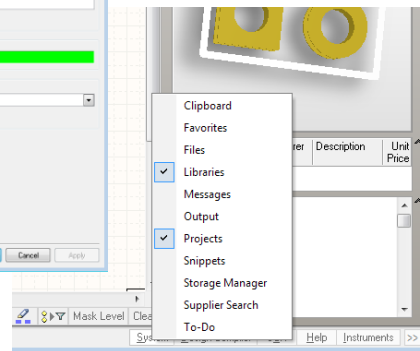
Or:  
File / New / Project / PCB Project



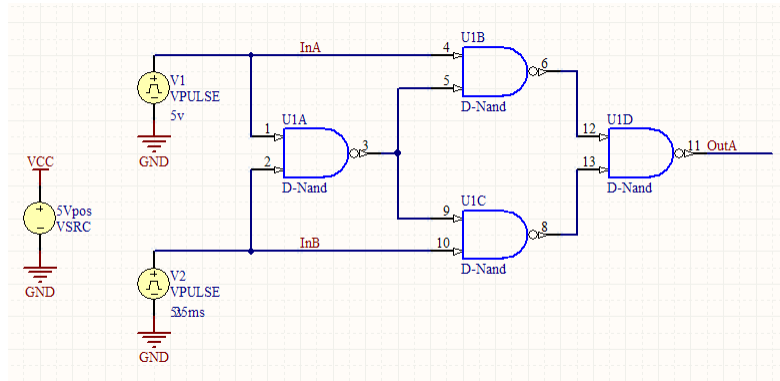
# Configure Workspace



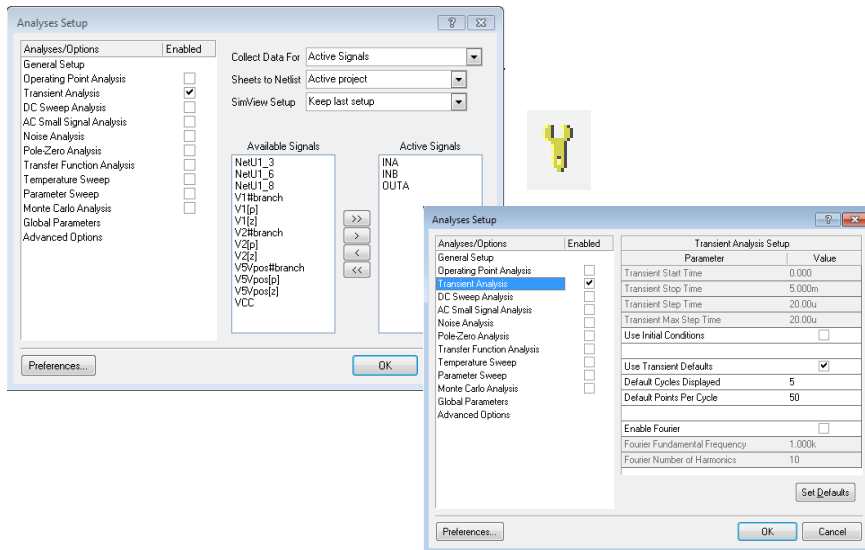
Tools / Schematic Preferences ...



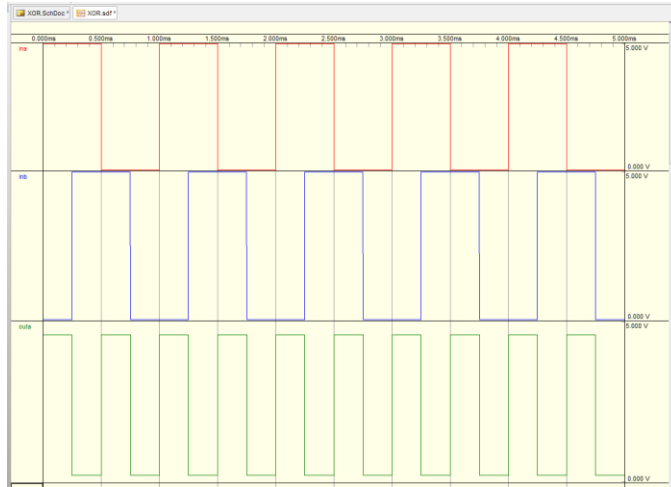
## Draw Logic Circuit (XOR)



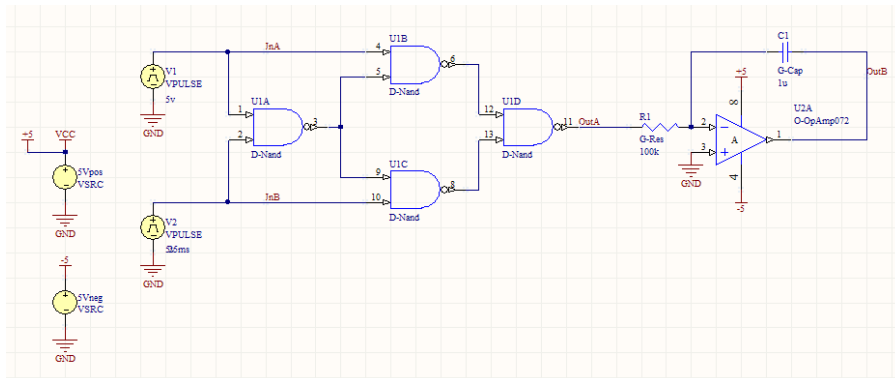
## Simulation Parameters



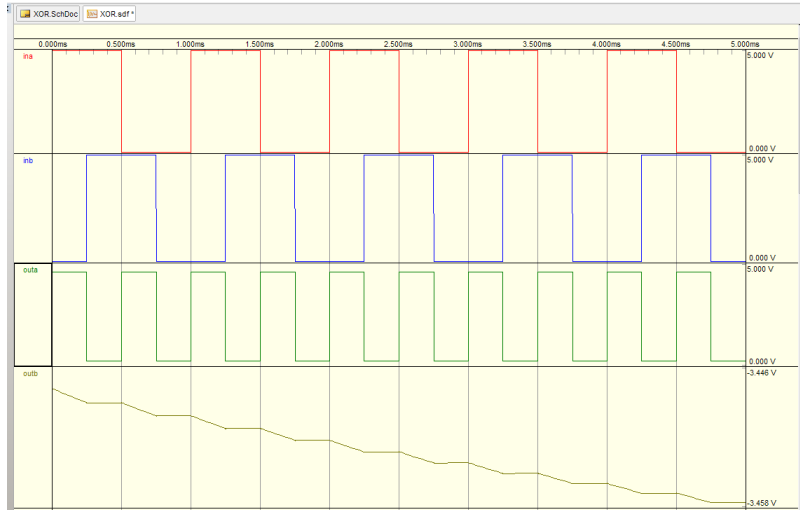
## Run Simulation



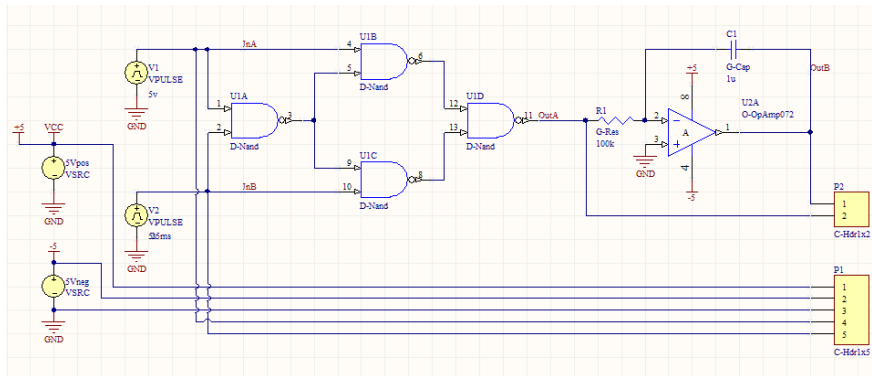
## Modify (Add Integrator)



# Re-Simulate



# Add Connectors



## PCB Production Flowchart

- Layout circuit
  - Simulate circuit
  - Correct Output? **No**
  - Build circuit on breadboard
  - Correct Output? **No**
  - Layout PCB
  - Submit drawing for review
  - Submit Gerber files for production
- 
- ```
graph TD; A[Layout circuit] --> B[Simulate circuit]; B --> C[Correct Output? No]; C --> A; C --> D[Build circuit on breadboard]; D --> E[Correct Output? No]; E --> F[Layout PCB]; F --> G[Submit drawing for review]; G --> H[Submit Gerber files for production];
```