

---

# **EDU34450A**

## **5½ Digit Digital Multimeter**

<b>Notices</b> .....	<b>5</b>
<b>Copyright Notice</b> .....	<b>5</b>
<b>Manual Part Number</b> .....	<b>5</b>
<b>Edition</b> .....	<b>5</b>
<b>Published by</b> .....	<b>5</b>
<b>Warranty</b> .....	<b>5</b>
<b>Technology Licenses</b> .....	<b>5</b>
<b>U.S. Government Rights</b> .....	<b>6</b>
<b>Third Party Licenses</b> .....	<b>6</b>
<b>Waste Electrical and Electronic Equipment (WEEE)</b> .....	<b>6</b>
<b>Declarations of Conformity</b> .....	<b>7</b>
<b>Safety Information</b> .....	<b>7</b>
<b>Safety and Regulatory Information</b> .....	<b>8</b>
<b>Safety Considerations</b> .....	<b>8</b>
<b>Protection Limits</b> .....	<b>11</b>
<b>Input Terminal Protection Limits</b> .....	<b>12</b>
<b>Sense Terminal Protection Limits</b> .....	<b>12</b>
<b>IEC Measurement Category II Overvoltage Protection</b> .....	<b>12</b>
<b>Safety Symbols</b> .....	<b>13</b>
<b>Regulatory Markings</b> .....	<b>14</b>
<b>South Korean Class A EMC declaration:</b> .....	<b>14</b>
<b>Safety and EMC Requirements</b> .....	<b>15</b>
<b>Environmental Conditions</b> .....	<b>15</b>
<b>1 Introduction to the Instrument</b> .....	<b>16</b>
<b>Instrument at a Glance</b> .....	<b>17</b>
<b>Front Panel at a Glance</b> .....	<b>17</b>
<b>Front Panel Display at a Glance</b> .....	<b>18</b>
Instrument Status Indicators .....	<b>19</b>
<b>Front Panel Buttons at a Glance</b> .....	<b>20</b>
Front Panel Navigation .....	<b>21</b>
<b>Rear Panel at a Glance</b> .....	<b>21</b>
<b>Fuse Information</b> .....	<b>23</b>
Current Input Fuse Replacement .....	<b>23</b>
Power Line Fuse Replacement .....	<b>25</b>
<b>Instrument Dimensions</b> .....	<b>27</b>
<b>2 Getting Started</b> .....	<b>28</b>
<b>Prepare the Instrument for Use</b> .....	<b>29</b>
Documentation and Firmware Revisions .....	<b>29</b>
Recommended Calibration Interval .....	<b>29</b>
Set Up the Instrument .....	<b>29</b>
<b>Take a Measurement</b> .....	<b>30</b>
Measuring DC Voltage .....	<b>30</b>
Measuring AC (RMS) Voltage .....	<b>32</b>
Measuring 2-Wire Resistance .....	<b>34</b>
Measuring 4-Wire Resistance .....	<b>35</b>
Measuring DC Current .....	<b>36</b>
Measuring AC Current .....	<b>37</b>
Measuring Frequency for Voltage .....	<b>39</b>
Measuring Frequency for Current .....	<b>41</b>
Testing Continuity .....	<b>43</b>

Testing Diodes .....	44
Measuring Temperature .....	45
Measuring Capacitance .....	47
<b>Select a Range .....</b>	<b>48</b>
<b>Use the Built-in Help System .....</b>	<b>48</b>
View the Help Information for a Button or Softkey .....	48
<b>Remote Interface Connections .....</b>	<b>49</b>
Connect to the Instrument via USB .....	49
Connect to the Instrument via LAN (Site and Private) .....	50
<b>Remote Interface Configuration .....</b>	<b>52</b>
Keysight IO Libraries Suite .....	52
LAN Configuration .....	52
SCPI Socket Services .....	61
More About IP Addresses and Dot Notation .....	61
<b>Remote Control .....</b>	<b>62</b>
Web Interface .....	62
Technical Connection Details .....	63
<b>3 Features and Functions .....</b>	<b>64</b>
<b>Secondary Display .....</b>	<b>65</b>
Dual Display Operation Examples .....	66
<b>Math Operations .....</b>	<b>68</b>
Null .....	68
Scaling .....	70
Limits .....	73
Statistics .....	75
<b>Acquire .....</b>	<b>75</b>
Continuous .....	75
Data Log .....	77
<b>Probe Hold .....</b>	<b>82</b>
<b>Run/Stop .....</b>	<b>83</b>
<b>Utility Menu .....</b>	<b>84</b>
I/O Config Menu .....	85
Instrument Setup Menu .....	85
User Settings Menu .....	87
Help Menu .....	88
<b>Store/Recall .....</b>	<b>89</b>
<b>User Label .....</b>	<b>95</b>
<b>4 Characteristics and Specifications .....</b>	<b>97</b>
<b>5 Measurement Tutorial .....</b>	<b>98</b>
<b>DC Measurement Considerations .....</b>	<b>99</b>
<b>Noise Rejection .....</b>	<b>99</b>
Rejecting Power-Line Noise Voltages .....	99
Common Mode Rejection (CMR) .....	99
Noise Caused by Magnetic Loops .....	100
Noise Caused by Ground Loops .....	100
<b>Measurement Speed Consideration .....</b>	<b>101</b>
<b>Secondary Measurement Considerations .....</b>	<b>102</b>
DC Voltage Dynamic Range in Secondary Measurement .....	102
Voltage and Current in Dual Measurement .....	103
<b>Resistance Measurement Considerations .....</b>	<b>103</b>

---

Removing Test Lead Resistance Errors .....	103
Minimizing Power Dissipation Effects .....	103
Errors in High Resistance Measurements .....	104
Offset Compensation .....	104
<b>True RMS AC Measurements .....</b>	<b>105</b>
True RMS Accuracy and High-Frequency Signal Content .....	106
Estimating High-Frequency (Out-of-Band) Error .....	106
AC Filter .....	108
<b>Other Primary Measurement Functions .....</b>	<b>108</b>
Frequency Measurement Errors .....	108
DC Current Measurements .....	109
Capacitance Measurements .....	109
Temperature Measurements .....	110
<b>Other Sources of Measurement Error .....</b>	<b>110</b>
Loading Errors (AC Volts) .....	110
Measurements Below Full Scale .....	111
High-Voltage Self-Heating Errors .....	111
AC Current Measurement Errors (Burden Voltage) .....	111
Low-Level Measurement Errors .....	111
Pulse Measurement Error .....	112



# Notices

## Copyright Notice

© Keysight Technologies 2021, 2022

No part of this manual may be reproduced in any form or by any means (including electronic storage and retrieval or translation into a foreign language) without prior agreement and written consent from Keysight Technologies as governed by United States and international copyright laws.

## Manual Part Number

EDU34450-90002

## Edition

Edition 3, November 2022

## Published by

Keysight Technologies  
Bayan Lepas Free Industrial Zone  
11900 Bayan Lepas, Penang  
Malaysia

## Warranty

THE MATERIAL CONTAINED IN THIS DOCUMENT IS PROVIDED "AS IS," AND IS SUBJECT TO BEING CHANGED, WITHOUT NOTICE, IN FUTURE EDITIONS. FURTHER, TO THE MAXIMUM EXTENT PERMITTED BY APPLICABLE LAW, KEYSIGHT DISCLAIMS ALL WARRANTIES, EITHER EXPRESS OR IMPLIED, WITH REGARD TO THIS MANUAL AND ANY INFORMATION CONTAINED HEREIN, INCLUDING BUT NOT LIMITED TO THE IMPLIED WARRANTIES OF MERCHANTABILITY AND FITNESS FOR A PARTICULAR PURPOSE. KEYSIGHT SHALL NOT BE LIABLE FOR ERRORS OR FOR INCIDENTAL OR CONSEQUENTIAL DAMAGES IN CONNECTION WITH THE FURNISHING, USE, OR PERFORMANCE OF THIS DOCUMENT OR OF ANY INFORMATION CONTAINED HEREIN. SHOULD KEYSIGHT AND THE USER HAVE A SEPARATE WRITTEN AGREEMENT WITH WARRANTY TERMS COVERING THE MATERIAL IN THIS DOCUMENT THAT CONFLICT WITH THESE TERMS, THE WARRANTY TERMS IN THE SEPARATE AGREEMENT SHALL CONTROL.

## Technology Licenses

The hardware and/or software described in this document are furnished under a license and may be used or copied only in accordance with the terms of such license.

## U.S. Government Rights

The Software is “commercial computer software,” as defined by Federal Acquisition Regulation (“FAR”) 2.101. Pursuant to FAR 12.212 and 27.405-3 and Department of Defense FAR Supplement (“DFARS”) 227.7202, the U.S. government acquires commercial computer software under the same terms by which the software is customarily provided to the public. Accordingly, Keysight provides the Software to U.S. government customers under its standard commercial license, which is embodied in its End User License Agreement (EULA), a copy of which can be found at <http://www.keysight.com/find/sweula>. The license set forth in the EULA represents the exclusive authority by which the U.S. government may use, modify, distribute, or disclose the Software. The EULA and the license set forth therein, does not require or permit, among other things, that Keysight: (1) Furnish technical information related to commercial computer software or commercial computer software documentation that is not customarily provided to the public; or (2) Relinquish to, or otherwise provide, the government rights in excess of these rights customarily provided to the public to use, modify, reproduce, release, perform, display, or disclose commercial computer software or commercial computer software documentation. No additional government requirements beyond those set forth in the EULA shall apply, except to the extent that those terms, rights, or licenses are explicitly required from all providers of commercial computer software pursuant to the FAR and the DFARS and are set forth specifically in writing elsewhere in the EULA. Keysight shall be under no obligation to update, revise or otherwise modify the Software. With respect to any technical data as defined by FAR 2.101, pursuant to FAR 12.211 and 27.404.2 and DFARS 227.7102, the U.S. government acquires no greater than Limited Rights as defined in FAR 27.401 or DFAR 227.7103-5 (c), as applicable in any technical data.

## Third Party Licenses

Portions of this software are licensed by third parties including open source terms and conditions. To the extent such licenses require that Keysight make source code available, we will do so at no cost to you. For more information, please contact Keysight support at <https://www.keysight.com/find/assist>.

## Waste Electrical and Electronic Equipment (WEEE)

This product complies with the WEEE Directive marking requirement. The affixed product label (see below) indicates that you must not discard this electrical/electronic product in domestic household waste.

Product category: With reference to the equipment types in the WEEE directive Annex 1, this product is classified as “Monitoring and Control instrumentation” product. Do not dispose in domestic household waste.

To return unwanted products, contact your local Keysight office, or see

[about.keysight.com/en/companyinfo/environment/takeback.shtml](http://about.keysight.com/en/companyinfo/environment/takeback.shtml) for more information.



## Declarations of Conformity

Declarations of Conformity for this product and for other Keysight products may be downloaded from the Web. Go to <https://regulations.about.keysight.com/DoC/default.htm>. You can then search by product number to find the latest Declaration of Conformity.

## Safety Information

### CAUTION

A CAUTION notice denotes a hazard. It calls attention to an operating procedure, practice, or the like that, if not correctly performed or adhered to, could result in damage to the product or loss of important data. Do not proceed beyond a CAUTION notice until the indicated conditions are fully understood and met.

---

### WARNING

A WARNING notice denotes a hazard. It calls attention to an operating procedure, practice, or the like that, if not correctly performed or adhered to, could result in personal injury or death. Do not proceed beyond a WARNING notice until the indicated conditions are fully understood and met.

---

# Safety and Regulatory Information

## Safety Considerations

The following general safety precautions must be observed during all phases of operation, service, and repair of this instrument. Failure to comply with these precautions or with specific warnings elsewhere in this manual violates safety standards of design, manufacture, and intended use of the instrument. Keysight Technologies assumes no liability for the customer's failure to comply with these requirements.

**WARNING****BEFORE APPLYING POWER**

- Verify that the correct fuse is installed.
  - Ensure the mains supply voltage fluctuation do not exceed  $\pm 10\%$  of the nominal supply voltage.
- 

**GROUND THE INSTRUMENT**

This product is a Safety Class I instrument (provided with a protective earth terminal). To minimize shock hazard, the instrument chassis and cabinet must be connected to an electrical ground. The instrument must be connected to the AC power supply mains through a three-conductor power cable, with the third wire firmly connected to an electrical ground (safety ground) at the power outlet. Any interruption of the protective (grounding) conductor or disconnection of the protective earth terminal will cause a potential shock hazard that could result in personal injury. If the instrument is to be energized via an external autotransformer for voltage reduction, be certain that the autotransformer common terminal is connected to the neutral (earthed pole) of the AC power lines (supply mains).

---

**DO NOT OPERATE IN AN EXPLOSIVE ATMOSPHERE OR WET ENVIRONMENTS**

Do not operate the device around flammable gases or fumes, vapor, or wet environments.

---

**DO NOT OPERATE DAMAGED OR DEFECTIVE INSTRUMENTS**

Instruments that appear damaged or defective should be made inoperative and secured against unintended operation until they can be repaired by qualified service personnel.

---

**DO NOT SUBSTITUTE PARTS OR MODIFY INSTRUMENT**

Because of the danger of introducing additional hazards, do not install substitute parts or perform any unauthorized modification to the instrument. Return the instrument to a Keysight Technologies Sales and Service Office for service and repair to ensure that safety features are maintained. To contact Keysight for sales and technical support, refer to the support links on the following Keysight website: [www.keysight.com/find/assist](http://www.keysight.com/find/assist) (worldwide contact information for repair and service).

---

**USE THE POWER CORD PROVIDED**

Use the device with the power cord provided with the shipment.

---

**USE THE DEVICE AS SPECIFIED**

If the device is used in a manner not specified by manufacturer, the device protection may be impaired.

---

**IEC MEASUREMENT CATEGORY II**

The HI and LO input terminals may be connected to mains in IEC Category II installations for line voltages up to 300 VAC rms. To avoid the danger of electric shock, do not connect the inputs to mains for line voltages above 300 VAC rms. See "IEC Measurement Category II Overvoltage Protection" on the following page for further information.

---

**OBSERVE ALL DEVICE MARKINGS BEFORE CONNECTING TO DEVICE**

Observe all markings on the device before connecting any wiring to the device.

---

**LINE AND CURRENT PROTECTION FUSES**

For continued protection against fire, replace the line fuse and the current-protection fuse only with fuses of the specified type and rating.

---

**ENSURE COVER IS SECURED IN PLACE**

Do not operate the device with the cover removed or loosened. Only qualified, service-trained personnel should remove the cover from the instrument.

---

## PROTECTION LIMITS

To avoid instrument damage and the risk of electric shock, do not exceed any of the Protection Limits defined in the following section.

---

### ENSURE TEST LEAD IS USED AS SPECIFIED

If the Test Leads are used in a manner not specified by Keysight Technologies, the protection provided by the Test Leads may be impaired. Also, do not use a damaged or worn Test Lead. Instrument damage or personal injury may result.

---

### MEASURING VOLTAGES GREATER THAN 30 VRMS, 42 VPK, OR 60VDC

Measuring voltages greater than 30 Vrms, 42 Vpk, or 60 Vdc is always hazardous. ALL multimeter terminals must be considered as hazardous whenever inputs are greater than 30 Vrms, 42 Vpk, or 60 Vdc are connected to ANY input terminal. Regard all terminals as being at the same potential as the highest voltage applied to any terminal.

---

### AC POWER CORD

Removal of the AC power cord is the disconnect method to remove power from the instrument. Be sure to allow for adequate access to the power cord to permit disconnection from AC power. Use only the Keysight specified power cord for the country of use or one with equivalent ratings.

---

### DO NOT EXCEED MEASUREMENT LIMIT

Do not exceed any measurement limits defined in the specifications to avoid instrument damage and the risk of electric shock.

---

### OPERATING IN REMOTE MODE

When operating in remote mode, measurements will be triggered by remote computer and will not be updated continuously on the instrument display. Always refer to the remote computer for actual measurement.

---

### **CAUTION** CLEAN WITH SLIGHTLY DAMPENED CLOTH

Clean the outside of the instrument with a soft, lint-free, slightly dampened cloth. Do not use detergent, volatile liquids, or chemical solvents.

---

### PRESENCE OF AMBIENT ELECTROMAGNETIC (EM) FIELDS AND NOISE

Degradation of some product specifications can occur in the presence of ambient electromagnetic (EM) fields and noise that are coupled to the power line or I/O cables of the instrument. The instrument will self-recover and operate to all specifications when the source of ambient EM field and noise are removed or when the instrument is protected from the ambient EM field or when the instrument cabling is shielded from the ambient EM noise.

---

### CAUTION WHEN WORKING WITH VOLTAGES ABOVE 30 VRMS, 42 VPK, OR 60 VDC

Use with caution when working with voltages above 30 Vrms, 42 Vpk or 60 Vdc. These voltages pose a shock hazard.

---

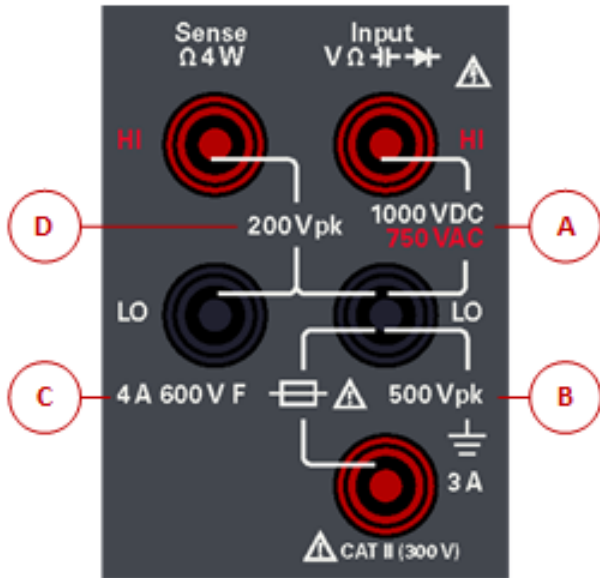
### CAUTION WHEN CONNECTING OPEN LEADS TO THE HI SENSE AND LO SENSE TERMINALS

When not in use, the Hi sense and Lo sense terminals will not be connected. Do not connect open leads to these terminals or disconnect these terminals with an external device.

---

## Protection Limits

The Keysight EDU34450A 5½ Digital Multimeter provides protection circuitry to prevent damage to the instrument and to protect against the danger of electric shock, provided that the Protection Limits are not exceeded. To ensure safe operation of the instrument, do not exceed the Protection Limits shown on the front panel, as defined below:



## Input Terminal Protection Limits

Protection Limits are defined for the input terminals:

**Main Input (HI and LO) Terminals.** The HI and LO input terminals are used for voltage, resistance, capacitance, and diode test measurements. Two Protection Limits are defined for these terminals:

- **HI to LO Protection Limit.** The Protection Limit from HI to LO ("A" in the figure above) is 1000 VDC or 750 VAC, which is also the maximum voltage measurement. This limit can also be expressed as 1000 Vpk maximum.
- **LO to Ground Protection Limit.** The LO input terminal can safely "float" a maximum of 500 Vpk relative to ground. This is Protection Limit "B" in the figure above.

Although not shown on the figure, the Protection Limit for the HI terminal is a maximum of 1000 Vpk relative to the ground. Therefore, the sum of the "float" voltage and the measured voltage must not exceed 1000 Vpk.

**Current Input Terminal.** The current input ("I") terminal has a Protection Limit of 3 A (rms) maximum current flowing from the LO input terminal. This is Protection Limit "C" in the figure above. Note that the current input terminal will be at approximately the same voltage as the LO terminal.

### NOTE

The current-protection circuitry includes a fuse on the front panel. To maintain protection, replace this fuse only with a fuse of the specified type and rating.

---

## Sense Terminal Protection Limits

The HI and LO sense terminals are used only for four-wire resistance measurements (" $\Omega$  4W"). The Protection Limit is 200 Vpk for all of the terminal pairings ("D" in the figure above):

- LO sense to LO input.
- HI sense to LO input.
- HI sense to LO sense.

### NOTE

The 200 Vpk limit on the sense terminals is the Protection Limit. Operational voltages in resistance measurements are much lower - less than 5 V in normal operation.

---

## IEC Measurement Category II Overvoltage Protection

To protect against the danger of electric shock, the Keysight EDU34450A 5½ Digit Multimeter provides overvoltage protection for line-voltage mains connections meeting both of the following conditions:

- The HI and LO input terminals are connected to the mains under Measurement Category II conditions, defined below, and
- The mains are limited to a maximum line voltage of 300 VAC rms.




IEC Measurement Category II includes electrical devices connected to mains at an outlet on a branch circuit. Such devices include most small appliances, test equipment, and other devices that plug into a branch outlet or socket. The EDU34450A may be used to make measurements with the HI and LO inputs connected to mains in such devices, or to the branch outlet itself (up to 300 VAC rms). However, the EDU34450A may not be used with its HI and LO








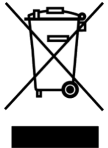
inputs connected to mains in permanently installed electrical devices such as the main circuit-breaker panel, sub-panel disconnect boxes, or permanently wired motors. Such devices and circuits are subject to overvoltages that may exceed the protection limits of the EDU34450A.

Voltages above 300 VAC rms may be measured only in circuits that are isolated from mains. However, transient overvoltages are also present on circuits that are isolated from mains. The EDU34450A is designed to safely withstand occasional transient overvoltages up to 2500 Vpk. Do not use this multimeter to measure circuits where transient overvoltages could exceed this level.

## Safety Symbols

Symbol	Description
	Caution, risk of danger (refer to the manual for specific Warning or Caution information)
	Protective earth (ground) terminal.
	Earth ground
<b>CAT II 300 V</b>	IEC Measurement Category II. Inputs may be connected to mains (up to 300 VAC rms) under Category II overvoltage conditions.
<b>WARNING</b>	The WARNING sign denotes a hazard. It calls attention to a procedure, practice, or the like, which, if not correctly performed or adhered to, could result in personal injury. Do not proceed beyond a WARNING sign until the indicated conditions are fully understood and met.
<b>CAUTION</b>	The CAUTION sign denotes a hazard. It calls attention to an operating procedure, or the like, which, if not correctly performed or adhered to, could result in damage to or destruction of part or all of the product. Do not proceed beyond CAUTION sign until the indicated conditions are fully understood and met.
<b>NOTE</b>	The NOTE sign denotes important information. It calls attention to a procedure, practice, condition or the like, which is essential to highlight.

## Regulatory Markings

Symbol	Description
	The RCM mark is a registered trademark of the Australian Communications and Media Authority.
	The CE mark is a registered trademark of the European Community. This CE mark shows that the product complies with all the relevant European Legal Directives. ICES/NMB-001 indicates that this ISM device complies with the Canadian ICES-001. Cet appareil ISM est conforme a la norme NMB-001 du Canada. ISM GRP.1 Class A indicates that this is an Industrial Scientific and Medical Group 1 Class A product.
	This symbol indicates the time period during which no hazardous or toxic substance elements are expected to leak or deteriorate during normal use. Forty years is the expected useful life of the product.
	This symbol is a South Korean Class A EMC Declaration. This is a Class A instrument suitable for professional use and in electromagnetic environment outside of the home.
	The CSA mark is a registered trademark of the Canadian Standards Association.
	This instrument complies with the WEEE Directive marking requirement. This affixed product label indicates that you must not discard this electrical or electronic product in domestic household waste.

### South Korean Class A EMC declaration:

Information to the user:

This equipment has been conformity assessed for use in business environments. In a residential environment this equipment may cause radio interference.

- This EMC statement applies to the equipment only for use in business environment.

#### 사용자 안내문

이 기기는 업무용 환경에서 사용할 목적으로 적합성평가를 받은 기기로서 가정용 환경에서 사용하는 경우 전파간섭의 우려가 있습니다.

- 사용자 안내문은 “업무용 방송통신기자재”에만 적용한다.

## Safety and EMC Requirements

This power supply is designed to comply with the following safety and EMC (Electromagnetic Compatibility) requirements:

- Low Voltage Directive 2014/35/EU
- EMC Directive 2014/30/EU

## Environmental Conditions

This instrument is designed for indoor use and in an area with low condensation. The table below shows the general environmental requirements for this instrument.

Environmental Condition	Requirement
Temperature	Operating condition: 0 °C to 55 °C Storage condition: -40 °C to 70 °C
Humidity	Full accuracy to 80% RH at 0 °C to 30 °C (non-condensing) <b>Full accuracy to 40% RH at 30 °C to 55 °C (non-condensing)</b>
Altitude	3000 m
Pollution degree	2
Power supply and line frequency	100, 120, 220 , 240 V 50/60 Hz
Power consumption	13 VA max

# 1 Introduction to the Instrument

[Instrument at a Glance](#)

[Front Panel at a Glance](#)

[Front Panel Display at a Glance](#)

[Front Panel Buttons at a Glance](#)

[Rear Panel at a Glance](#)

[Fuse Information](#)

[Instrument Dimensions](#)

The Keysight EDU34450A 5½ Digit Multimeter is capable of providing a wide range of measurement functions such as DC voltage, DC current, True RMS AC voltage and AC current, 2-wire and 4-wire resistance, frequency, diode test, continuity, capacitance, and temperature measurements.

## Instrument at a Glance

The Keysight EDU34450A 5½ Digit Digital Multimeter offers full range of measurement capabilities with class-leading display and user interface.

### Key features:

- Eleven measurement functions; DCV, DCI, True RMS ACV, ACI, 2- and 4-wire resistance, frequency, continuity, diode test, capacitance, and temperature
- Intuitive 7-inch WVGA dual-measurement color display
- Basic DCV accuracy of 0.015% for 1 V
  - 100 mV: 0.018%
  - 1 V: 0.015%
  - 10 V: 0.025%
  - 100 V: 0.025%
  - 1000 V: 0.027%
- Up to 5,000 points data-logging memory
- USB and LAN PC connectivity
- PathWave BenchVue software included

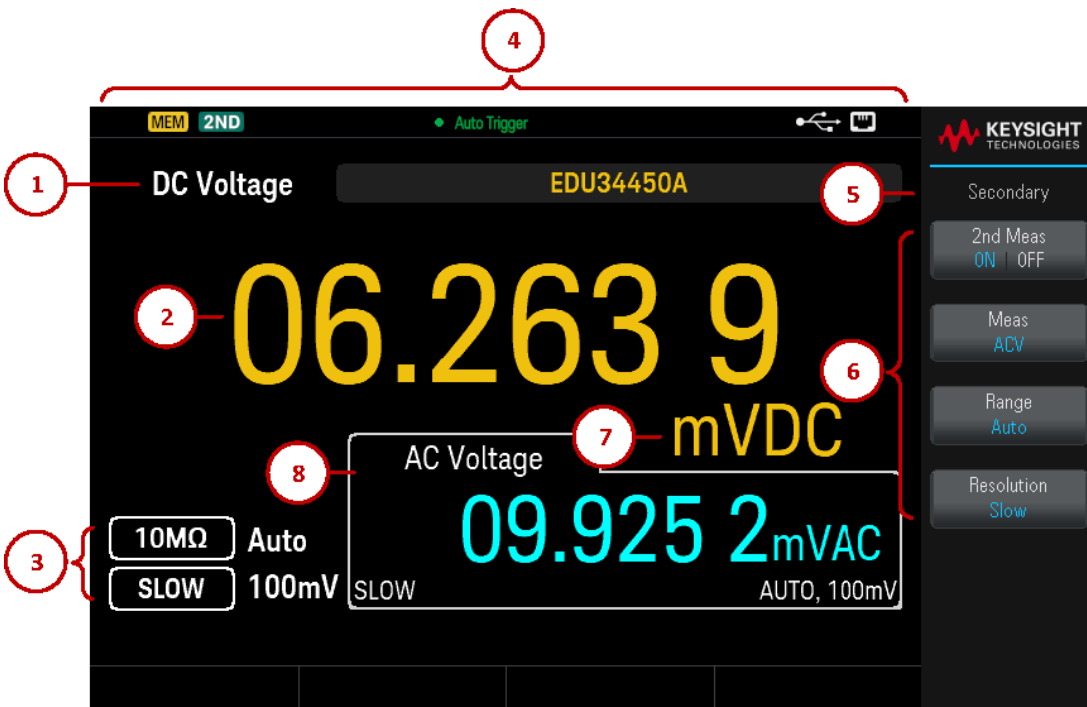
## Front Panel at a Glance



Legend	Description
1	7-inch WVGA display







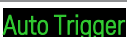
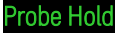








Legend	Description
2	[ON/OFF] switch
3	USB port – allows an external USB flash drive to be connected to the instrument
	<p><b>NOTE</b> The EDU34450A supports USB flash drives with the following specification: USB 2.0, FAT32 format, up to 32 GB. We recommend using a SanDisk Cruzer Blade flash drive for the front panel USB port.</p>
4	[Back] button
	<p><b>NOTE</b> Press and hold [Back] button for more than 3 seconds with an external USB flash drive connected to automatically capture the instrument screen. The captured image will be saved to the connected USB flash drive.</p>
5	Menu softkeys
6	[Enter] button and arrow keys
7	Measurement buttons
8	Primary: [Display], [Acquire], [Run/Stop], [Store/Recall], and [Null] buttons Secondary: 2nd (secondary display), Probe Hold, Utility, and Math buttons
9	[–], Range, and [+ ] buttons
10	[Shift]   Local button
11	Input terminals
12	Fuse holder

## Front Panel Display at a Glance

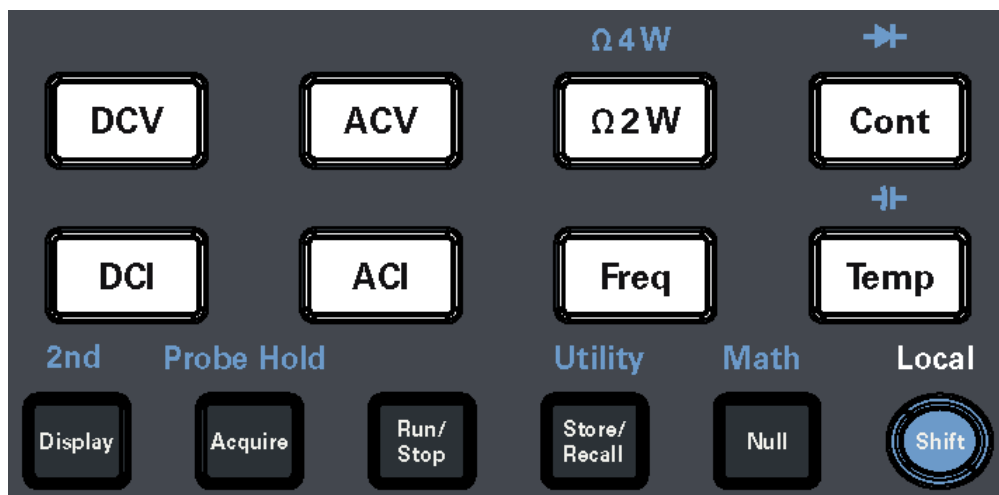


Legend	Description
1	Primary measurement function name
2	Primary measurement value
3	Primary measurement parameters
4	Instrument status indicators
5	Softkey menu name
6	Softkey labels
7	Measurement unit
8	Secondary measurement function, value, and parameters (when turned ON)

## Instrument Status Indicators

Legend	Description
	USB flash drive is connected
	LAN is connected
	Instrument in remote mode
	Secondary measurement is turned on.
	Data is logged through data log operation.
	Shift is enabled.
	Instrument is running in continuous mode.
	Probe hold is turned on.
	Data log have been turned on; instrument is waiting for data log trigger.
	Data log is running.
	Only available for remote mode, shown when READ? is sent to the instrument.  is shown after the instrument has captured a reading.
	Only available for remote mode, shown when bus trigger is selected.  is shown after INIT command is sent to the instrument and the instrument has captured a reading.
	Only available in remote mode, shown when bus trigger is selected and INIT command is sent to the instrument.
	Only available when trigger delay is set more than 0 s with data log enabled, shown after <b>Run/Stop</b> is pressed.

## Front Panel Buttons at a Glance

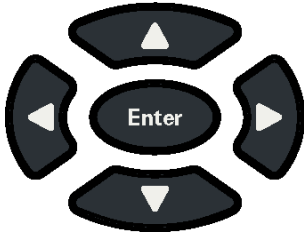


Legend	Description
[DCV]	Press to enable DC voltage measurement.
[ACV]	Press to enable AC voltage measurement.
[Ω2W]	Press to enable 2-wire resistance measurement.
Ω4W	Press [Shift] then press [Ω2W] to enable 4-wire resistance measurement.
[Cont]	Press to enable continuity tests.
→+	Press [Shift] then press [Cont] to enable diode measurements.
[DCI]	Press to enable DC current measurement.
[ACI]	Press to enable AC current measurement.
[Freq]	Press to enable frequency measurement.
[Temp]	Press to enable temperature measurement.
⇄	Press [Shift] then press [Temp] to enable capacitance measurement.
[Display]	Press to access the Display menu.
2nd	Press [Shift] then press [Display] to access the Secondary menu.
[Acquire]	Press to acquire a measurement.
Probe Hold	Press [Shift] then press [Acquire] to access the Probe Hold menu.
[Run/Stop]	Press to access the Run/Stop menu.
[Store/Recall]	Press to access the Store/Recall menu.
Utility	Press [Shift] then press [Store/Recall] to access the Utility menu.
[Null]	Press to trigger the null function.
Math	Press [Shift] then press [Null] to enable the Math menu.
[Shift]	Press to access a button's secondary function.



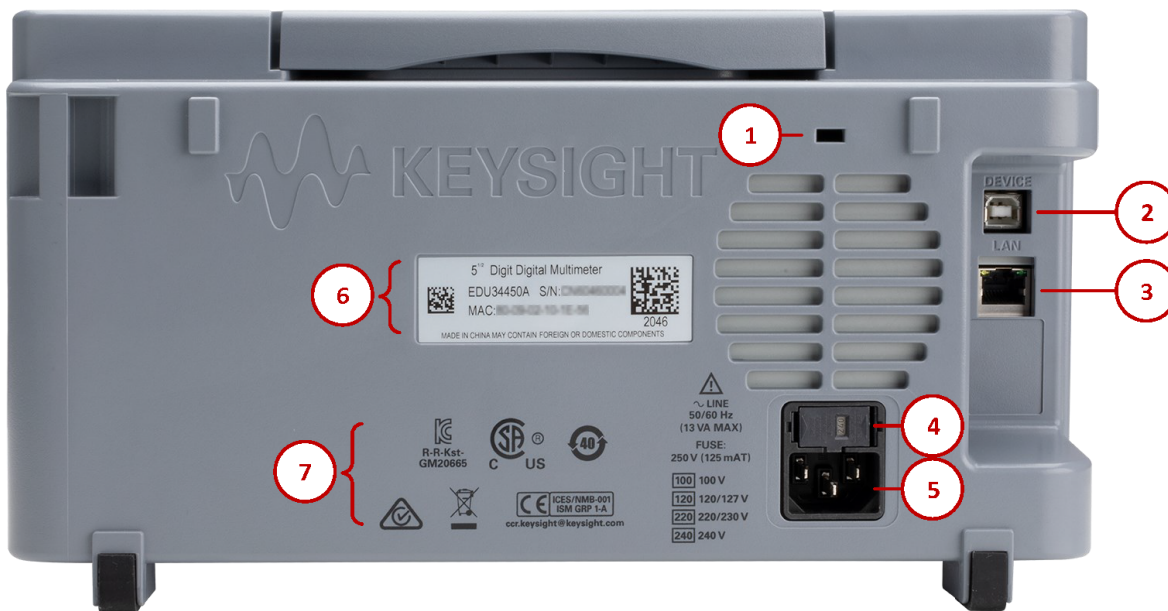
Legend	Description
Local	Press during remote control to regain access to the front panel buttons.
[-] and [+]	Press to decrease or increase the measurement range. This will set the instrument to manual range.
[Range]	Press to enable auto range.

## Front Panel Navigation



Use the arrow keys to navigate menus and adjust values. Use **[Enter]** to confirm your selection.

## Rear Panel at a Glance



Legend	Description
1	Kensington lock
2	Universal Serial Bus (USB-B) interface connector
3	Local Area Network (LAN) interface connector
4	AC line fuse
5	AC power connector
6	Instrument serial number and MAC address

Legend	Description
7	Instrument safety and regulatory labels

---

**WARNING** This is a Protection Class 1 equipment (chassis must be connected to a protective earth ground). The mains plug shall only be inserted in an outlet provided with a Protective Earth Terminal.

---

## Fuse Information

### Current Input Fuse Replacement

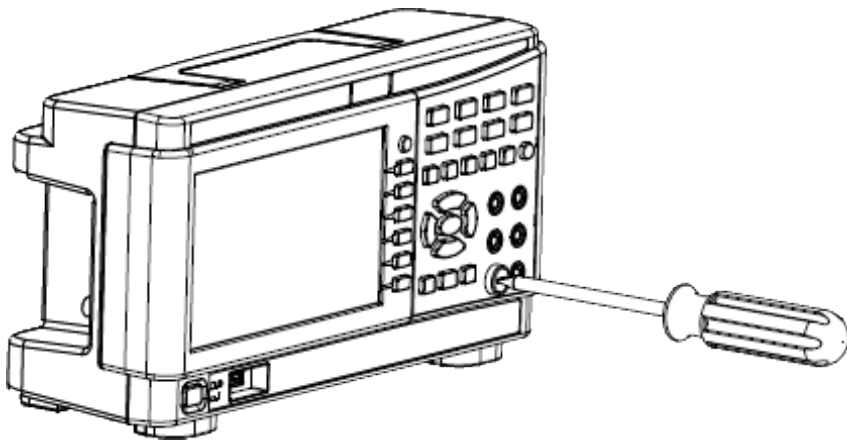
The following table describes the fuse that you should use.

Fuse Part Number	Description	Fuse Type
EDU34450-36202	Fuse 4 A, 600 V, 6 x 32 mm, Ceramic Fast-Acting	Cartridge

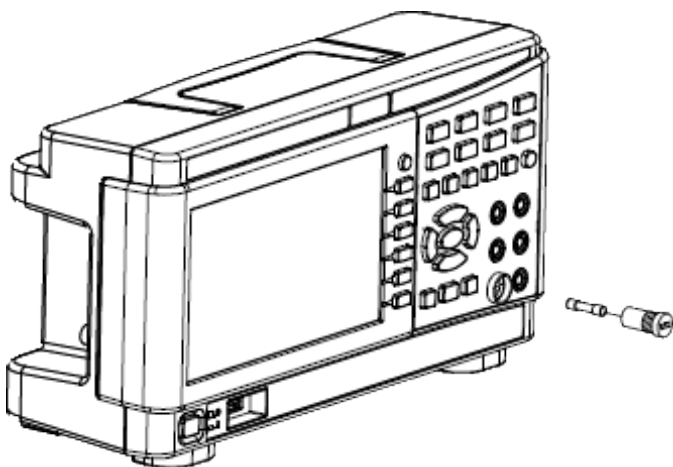
If you have determined that the current input fuse is faulty, replace it with one of the same size and rating.

To replace a blown fuse, follow the three steps shown below:

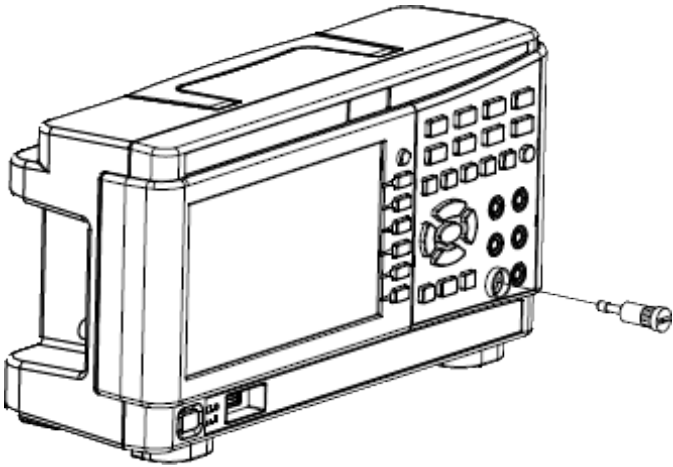
1. The current input fuse can be found in the instrument's front panel. Using a slotted (flat head) screwdriver, turn the fuse holder clockwise to remove it from the instrument.



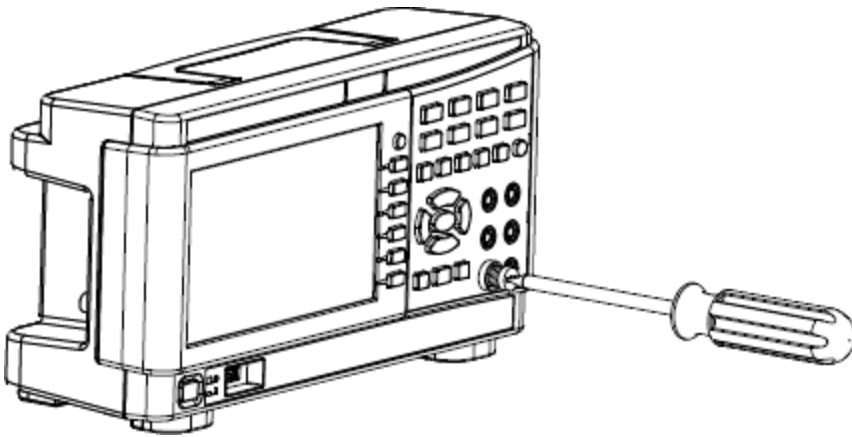
2. Remove the blown fuse from the fuse holder and insert the proper replacement fuse into the fuse holder.



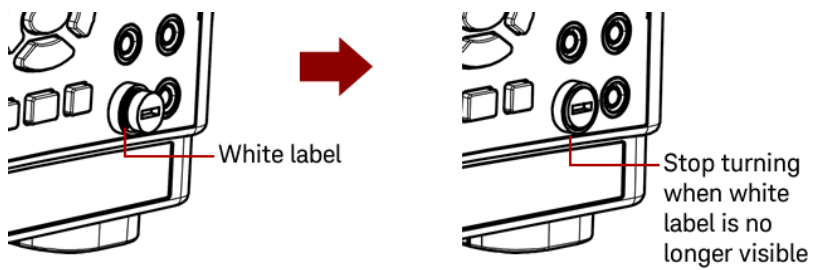
3. Re-insert the fuse holder into the instrument.



4. Use a slotted (flat head) screwdriver to turn the fuse holder anti-clockwise to secure it into the instrument.



(Turn the fuse holder until the white label is no longer visible.)



**CAUTION** Stop turning the fuse holder when the white label is no longer visible. Do not over-tighten as the plastic fuse holder may crack if it is over-tightened.

---

## Power Line Fuse Replacement

The power line fuse is located within the instrument's fuse-holder assembly on the rear panel. The multimeter is shipped from the factory with a power-line fuse installed.

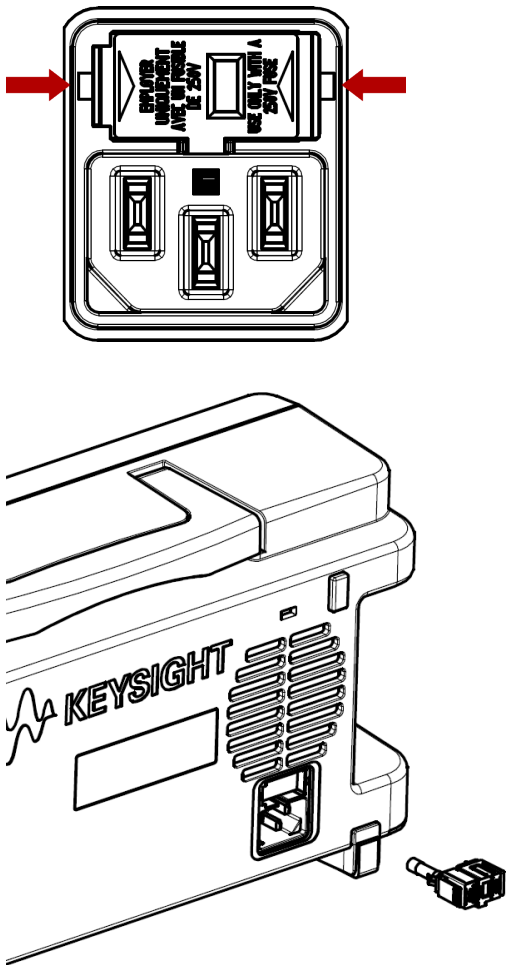
The following table describes the fuse that you should use.

Fuse Part Number	Fuse Description	Fuse Type
EDU34450-36200	Fuse 125 mA, Glass, 5 x 20 mm Slow Blow	Cartridge

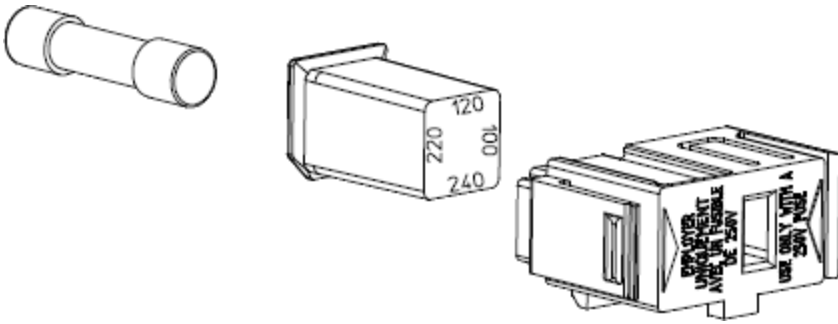
If you have determined that the power line fuse is faulty, replace it with one of the same size and rating.

To replace a blown fuse, follow the four steps shown below:

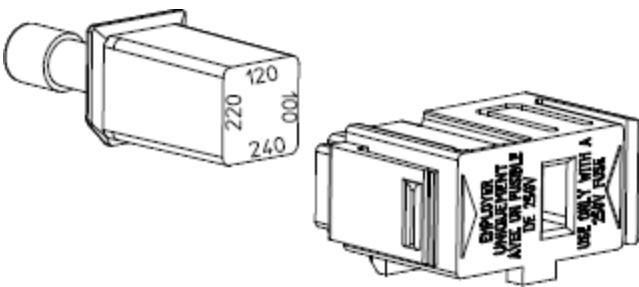
1. The power line fuse can be found in the instrument's rear panel. Disconnect the power cord. Use your fingertips to depress the left and right tabs, and then remove the fuse holder by pulling it out.



2. Remove the line voltage selector from the fuse holder and remove the blown fuse from the line voltage selector.



3. Insert the proper replacement fuse into the line voltage selector and reinstall so that the correct voltage appears in the fuse holder window.

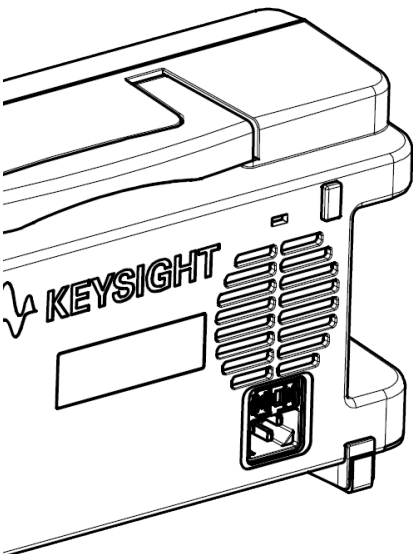


**NOTE**

To change the instrument's line voltage rating (100 V, 120 V, 220 V, or 240 V), rotate the line voltage selector so that the desired voltage appears in the fuse holder window.

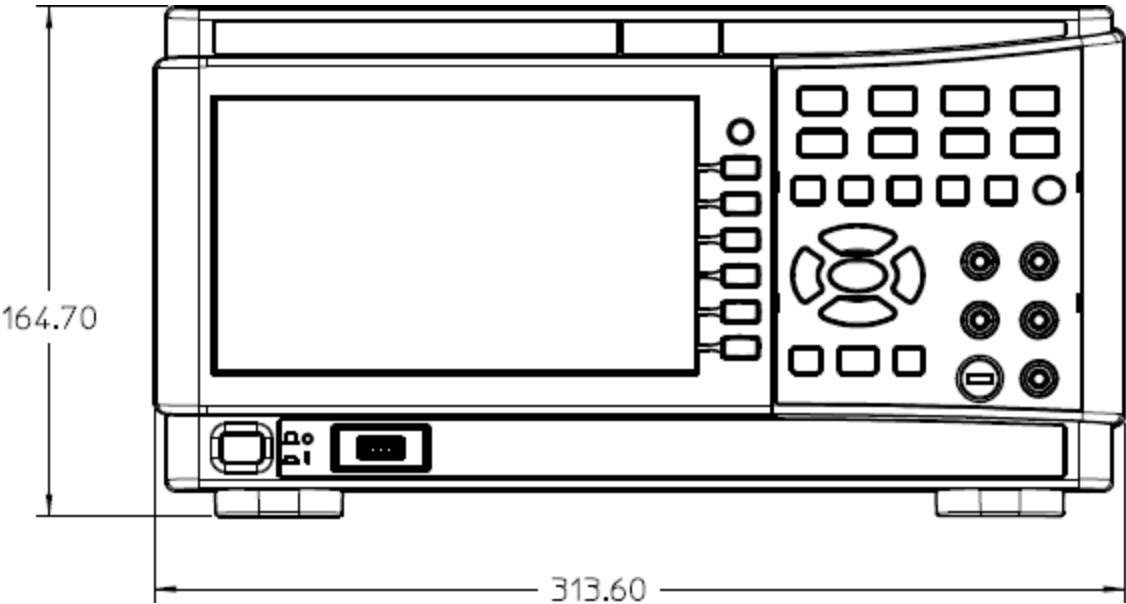
---

4. Re-insert the fuse holder into the instrument. Ensure that you hear a "click" when securing the fuse holder to the instrument.

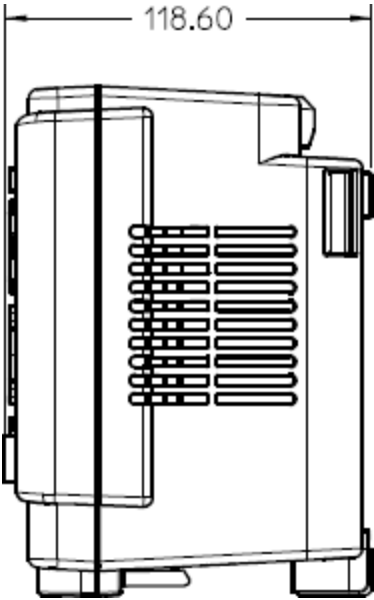


Instrument Dimensions

Height: 164.70 mm x Width: 313.60 mm



Length: 118.60 mm



# 2 Getting Started

[Prepare the Instrument for Use](#)

[Take a Measurement](#)

[Select a Range](#)

[Use the Built-in Help System](#)

[Remote Interface Connections](#)

[Remote Interface Configurations](#)

[Remote Control](#)

This section describes basic procedures to help you get started quickly with the instrument.



## Prepare the Instrument for Use

When you receive your instrument, inspect it for any obvious damage that may have occurred during shipment. If there is damage, notify the shipping carrier and nearest Keysight Sales and Support Office immediately. Refer to [www.keysight.com/find/assist](http://www.keysight.com/find/assist).

Until you have checked out the instrument, save the shipping carton and packing materials in case the unit has to be returned. Check the list below and verify that you have received these items with your instrument. If anything is missing, please contact your nearest Keysight Sales and Support Office.

- Quick Start Guide
- AC power cord (for country of destination)
- A set of test leads (EDU34450-62100)
- Certificate of Calibration and Shelf Life Notice
- Keysight Safety Leaflet (9320-6797)
- RoHS Addendum for Digital Multimeters (China) (9320-6661)

## Documentation and Firmware Revisions

The documentation listed below can be downloaded for free through our website at [www.keysight.com/find/EDU34450A-manuals](http://www.keysight.com/find/EDU34450A-manuals)

- Keysight EDU34450A 5½ Digit Digital Multimeter Quick Start Guide. Printed copy, included with your instrument.
- Keysight EDU34450A 5½ Digit Digital Multimeter User's Guide. This manual.
- Keysight EDU34450A 5½ Digit Digital Multimeter Programmer's Reference.
- Keysight EDU34450A 5½ Digit Digital Multimeter Service Guide.

For the latest firmware revision and firmware update instruction, go to [www.keysight.com/find/EDU34450A-sw](http://www.keysight.com/find/EDU34450A-sw).

## Recommended Calibration Interval

Keysight Technologies recommends a one-year calibration cycle for this instrument.

## Set Up the Instrument

Place the instrument's feet on a flat, smooth horizontal surface. Attach the power cable to the rear panel, then plug it into main power. Connect the LAN or USB cables as desired, and you may also secure the instrument with a security lock cable. Finally, turn the instrument on using the front-panel **[On/Off]** button.



## DC Voltage Parameters

- Measurement Range: 100.000 mV, 1.00000 V, 10.0000 V, 100.000 V, 1000.00 V
- Speed: Slow, Medium, Fast
- Default Setting: Autoranging, Slow measurement speed
- Measurement Method: Sigma Delta A-to-D converter
- Input Impedance: >10 G $\Omega$  selected range (0.1 V and 1 V only) or ~10 M $\Omega$  all ranges (typical)
- Input Protection: 1000 V on all ranges (HI terminal)



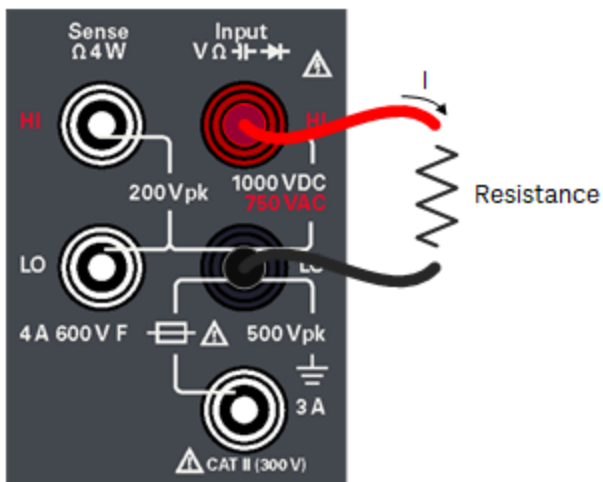
- Speed: Slow-2 Hz High Pass Filter (HPF), Medium-20 Hz HPF, Fast-200 Hz HPF
- Default Setting: Autoranging, Slow measurement speed
- Measurement Method: AC coupled true RMS - measures the AC component with up to 400 VDC bias on any range
- Crest Factor: Maximum 3:1 at full scale
- Input Impedance:  $>1.1\text{ M}\Omega$  in parallel with  $<100\text{ pF}$  on all ranges
- Input Protection: 750 V rms on all ranges (HI terminal)

## Measuring 2-Wire Resistance

1. Press [ $\Omega$ W].



2. Connect the terminals as shown below.



3. Read the display.

- Press **Resolution** to change the reading speed to either **Slow**, **Medium**, or **Fast**.
- Press **OCOMP** to enable (**ON**) or disable (**OFF**) the offset compensation.

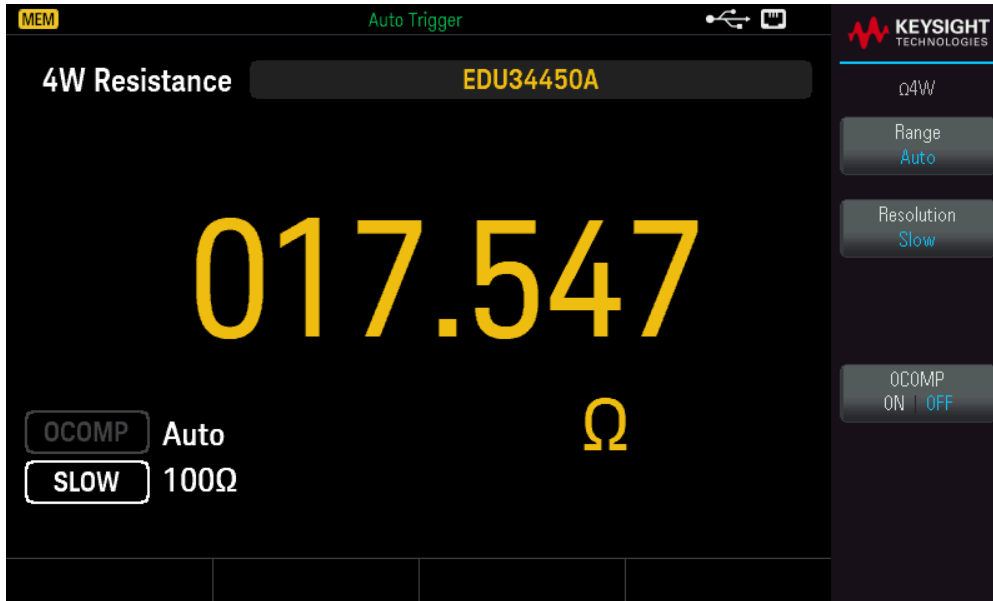
### 2-Wire Resistance Parameters

- Measurement Range: 100.000  $\Omega$ , 1.00000 k $\Omega$ , 10.0000 k $\Omega$ , 100.000 k $\Omega$ , 1.00000 M $\Omega$ , 10.0000 M $\Omega$ , 100.000 M $\Omega$ .
- Speed: Slow, Medium, Fast
- Default Setting: Autoranging, Slow measurement speed

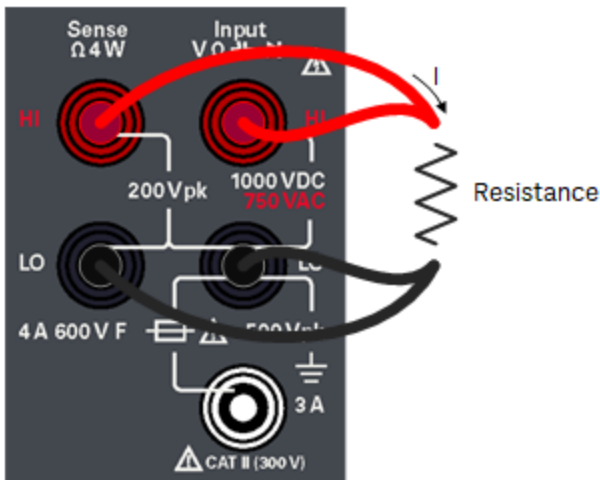
- Measurement Method: 2-wire ohms
- Input protection: 1000 V on all ranges (HI terminal)

### Measuring 4-Wire Resistance

1. Press **[Shift]** > **[Ω2W]** | **Ω4W**.



2. Connect the terminals as shown below.



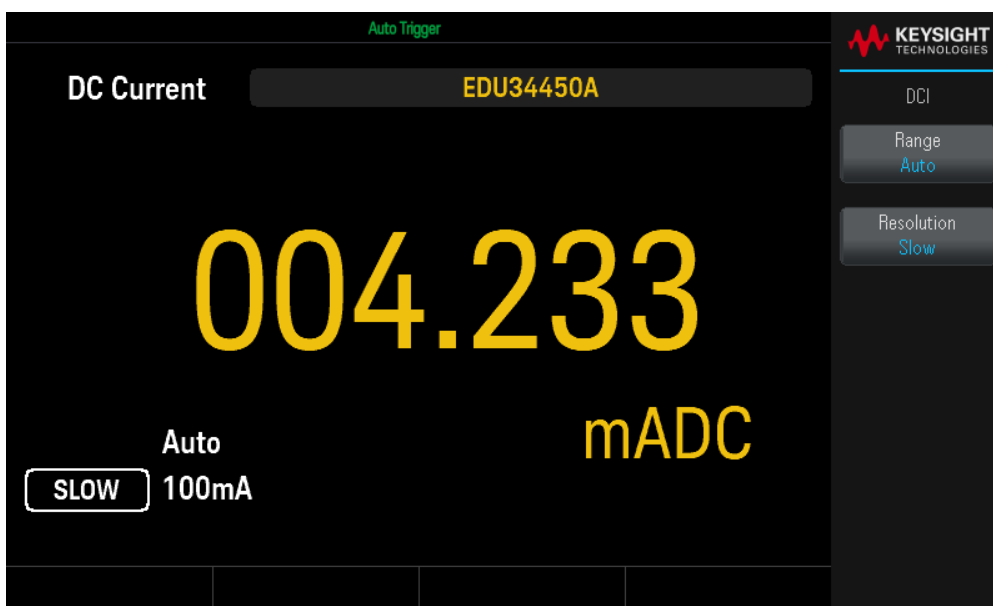
3. Read the display.
  - Press **Resolution** to change the reading speed to either **Slow**, **Medium**, or **Fast**.
  - Press **OCOMP** to enable (**ON**) or disable (**OFF**) the offset compensation.

## 4-Wire Resistance Parameters

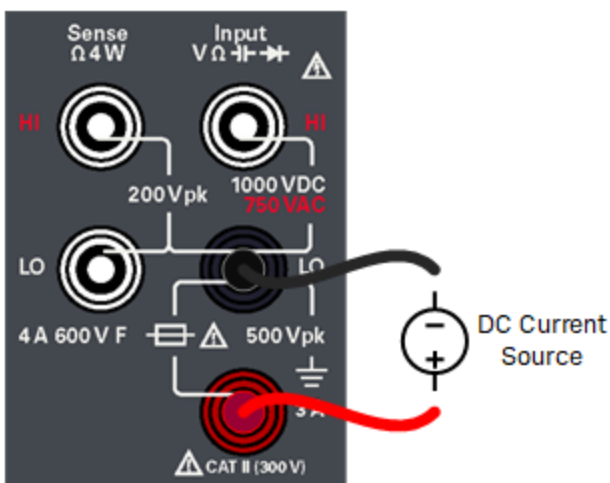
- Measurement Range: 100.000  $\Omega$ , 1.00000 k $\Omega$ , 10.0000 k $\Omega$ , 100.000 k $\Omega$ , 1.00000 M $\Omega$ , 10.0000 M $\Omega$ , 100.000 M $\Omega$ .
- Speed: Slow, Medium, Fast
- Default Setting: Autoranging, Slow measurement speed
- Measurement Method: 4-wire ohms
- Input protection: 1000 V on all ranges (across HI-LO terminals), 200 V (across HI Sense-LO Sense terminals).

## Measuring DC Current

1. Press [DCI].



2. Connect the terminals as shown below.





3. Read the display.

Press **Resolution** to change the reading speed to either **Slow**, **Medium**, or **Fast**.

### DC Current Parameters

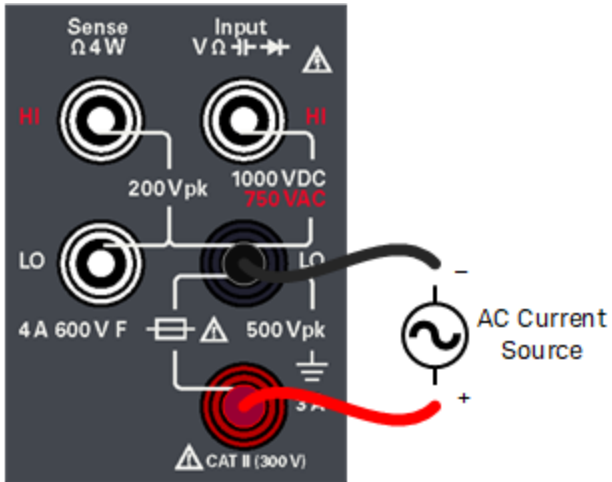
- Measurement Range: 10.0000 mA, 100.000 mA, 1.00000 A, 3.0000 A
- Speed: Slow, Medium, Fast
- Default Setting: Autoranging, Slow measurement speed
- Shunt Resistance: 1  $\Omega$  for 10 mA and 100 mA, and 0.1  $\Omega$  for 1 A and 3 A ranges
- Input Protection: Front panel, 4 A 600 V ceramic fast-acting fuse

### Measuring AC Current

1. Press **[ACI]**.



2. Connect the terminals as shown below.



3. Read the display.

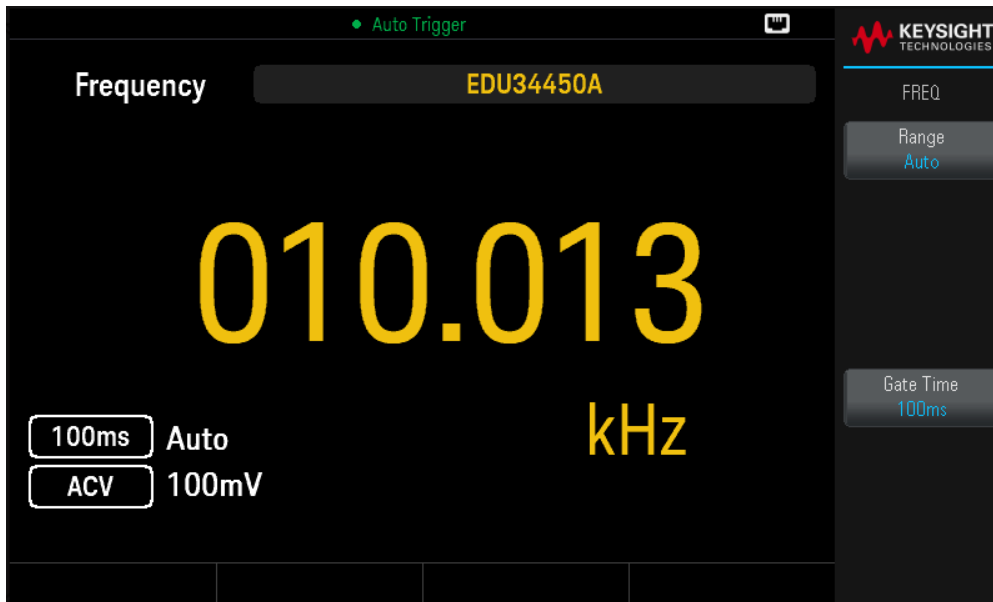
Press **Resolution** to change the reading speed to either **Slow**, **Medium**, or **Fast**.

#### AC Current Parameters

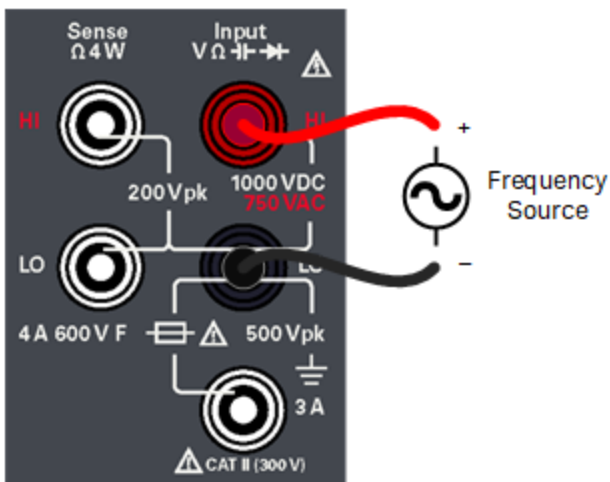
- Measurement Range: 10.0000 mA, 100.000 mA, 1.00000 A, 3.0000 A
- Speed: Slow-2 Hz High Pass Filter (HPF), Medium-20 Hz HPF, Fast-200 Hz HPF
- Default Setting: Autoranging, Slow measurement speed
- Shunt Resistance: 1  $\Omega$  for 10 mA and 100 mA, and 0.1  $\Omega$  for 1 A and 3 A ranges
- Input Protection: Front panel, 4 A 600 V ceramic fast-acting fuse

## Measuring Frequency for Voltage

1. Press [ACV] > [Freq].



2. Connect the terminals as shown below.



3. Read the display.

Press **Gate Time** to change the gate time to either **100ms** or **1s**.

### Frequency for Voltage Parameters

- Measurement Range: 100.000 mV, 1.00000 V, 10.0000 V, 100.000 V, 750.00 V (Range is based on the voltage level of the signal, not frequency.)
- Measurement Method: Reciprocal counting technique

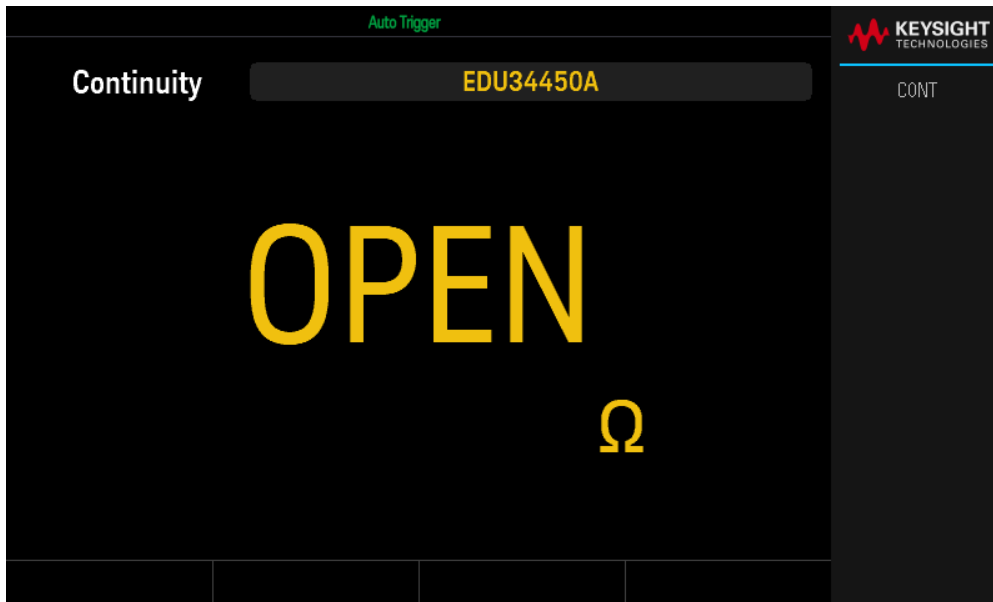
- Signal Level: 10% of range to full scale input on all ranges except where noted. 100 mV range specifications are for full scale or greater inputs. For inputs from 10 mV to 100 mV (in the 100 mV range), multiply the total % of reading error by 10.
- Gate Time: 1 second (slow mode) or 0.1 second (medium mode)
- Input Protection: 750 V rms on all ranges (HI terminal)



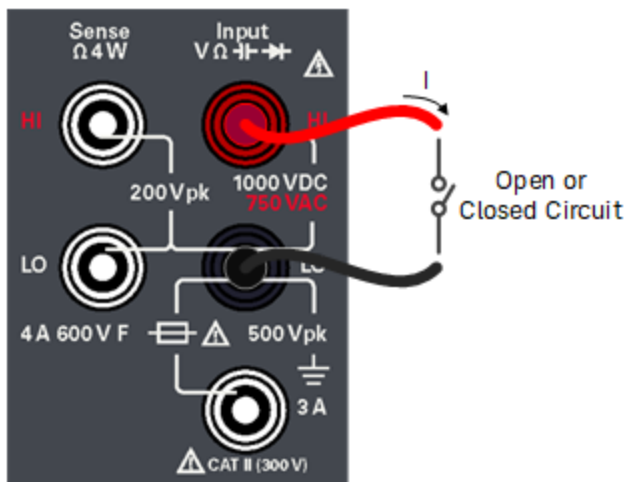
- Signal Level: 10% of range to full scale input on all ranges except where noted. 10 mA range specifications are for full scale or greater inputs. For inputs from 1 mA to 10 mA (in the 10 mA range), multiply the total % of reading error by 10.
- Gate Time: 1 second (slow mode) or 0.1 second (medium mode)
- Input Protection: Front panel, 4 A 600 V ceramic fast-acting fuse

## Testing Continuity

1. Press [Cont].



2. Connect the terminals as shown below.



3. Read the display.

A resistance value is observed if the circuit is closed, and OPEN is observed if the circuit is open.

### Continuity Parameters

- Measurement Method: 0.5 mA (typical) constant current source
- Response Time: 100 samples/second with audible tone
- Continuity Threshold: 10  $\Omega$  fixed

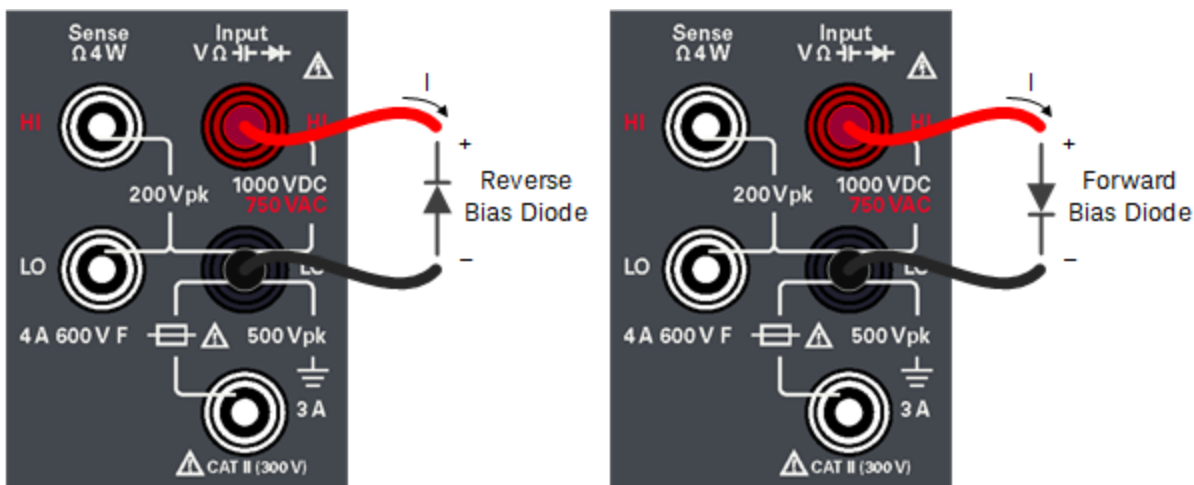
- Input Protection: 1000 V (HI terminal)

## Testing Diodes

1. Press **[Shift]** > **[Cont]** | **→+**.



2. Connect the terminals as shown below (either to test the reverse bias diode position or the forward bias diode position).



3. Read the display.

- For the reverse bias diode position: OPEN is observed if the diode is good.
- For the forward bias diode position: A value ranging from 0.3 to 0.8 V is observed if the diode is good (for most silicon diodes).
- If OPEN is observed on both directions, the diode is bad.
- If a 0 V to 0.4 V drop is observed on both directions, the diode is shorted.



Press **Beeper** to enable (ON) or disable (OFF) the beeper.

### Diode Parameters

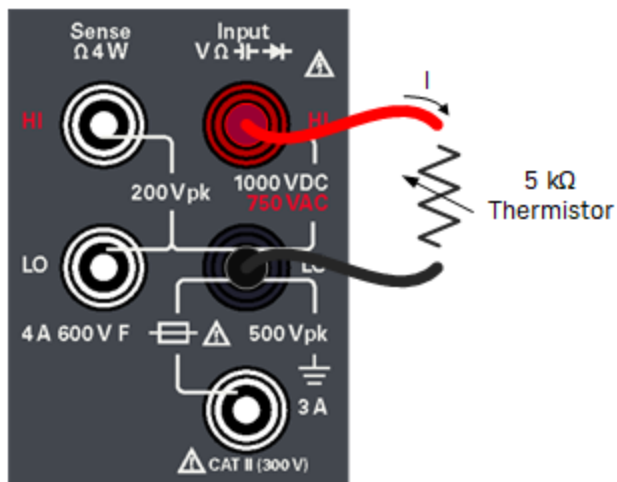
- Measurement Method: 0.5 mA (typical) constant current source
- Response Time: 100 samples/second with audible tone
- Input Protection: 1000 V (HI terminal)

### Measuring Temperature

1. Press [Temp].



2. Connect the terminals as shown below.



3. Read the display.

Press **Units** to switch the temperature units between degree Celsius (°C) or degree Fahrenheit (°F).

### **Temperature Parameters**

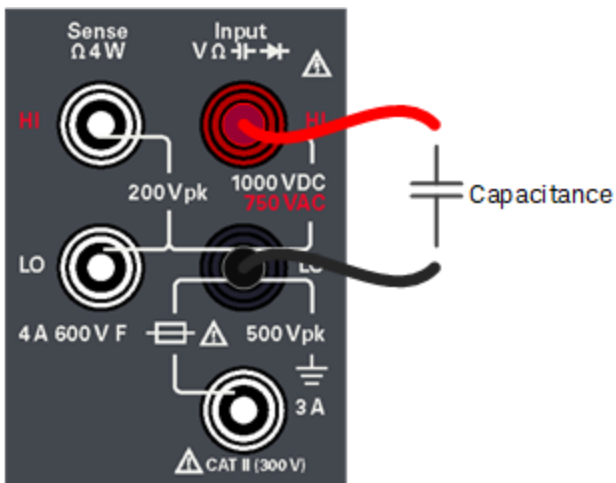
- Measurement Range: –80.0 °C to 150.0 °C, –110.0 °F to 300.0 °F
- Measurement Method: 2-wire Ohms measurement of 5 k $\Omega$  thermistor sensor (E2308A) with computed conversion
- Input Protection: 1000 V (HI terminal)
- Optional Accessory: E2308A Thermistor Temperature Probe

## Measuring Capacitance

1. Press [Shift] > [Temp] | .



2. Connect the terminals as shown below.



3. Read the display.

### Capacitance Parameters

- Measurement Range: 1.000 nF, 10.00 nF, 100.0 nF, 1.000  $\mu$ F, 10.00  $\mu$ F, 100.0  $\mu$ F, 1.000 mF, 10.00 mF
- Default Setting: Autoranging
- Measurement Method: Computed from constant current source charge time. Typical 0.12 V to 1.0 V AC signal level
- Input Protection: 1000 V (HI terminal)

## Select a Range

You can let the multimeter automatically select the range using autoranging, or you can select a fixed range manually. Autoranging is convenient because the multimeter automatically senses and selects the appropriate range for each measurement. However, manually selecting the range results in better performance, since the multimeter does not have to determine which range to use for each measurement.

The default setting for all measurement functions is autoranging.

Press [ + ] to disable autoranging and manually select an upper range, or

Press [ - ] to disable autoranging and manually select a lower range.

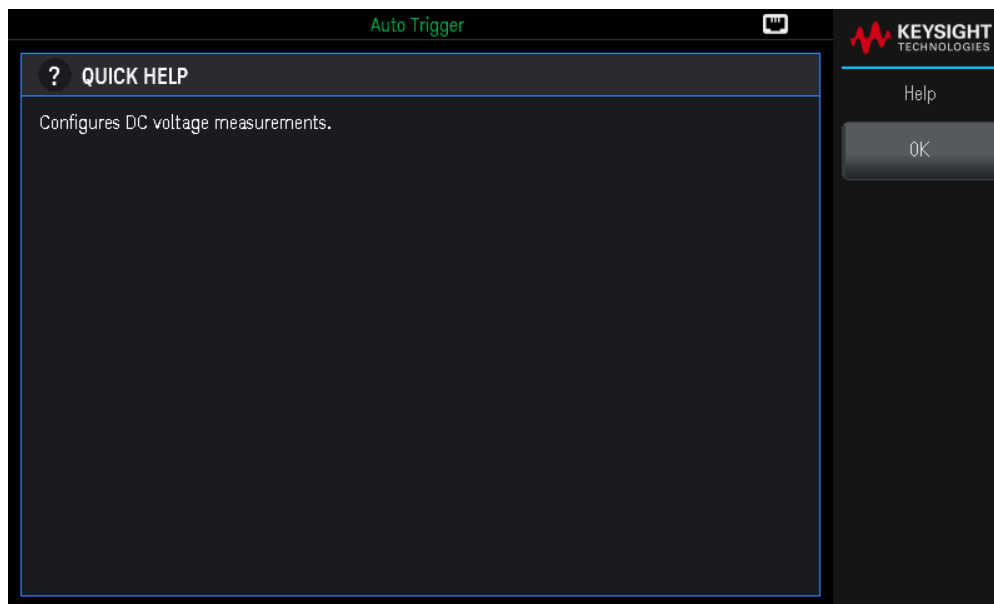
Press [Range] to enable autoranging again.

## Use the Built-in Help System

The built-in help system provides context-sensitive help on any front panel key or menu softkey. A list of help topics is also available to assist you with several front panel operations.

### View the Help Information for a Button or Softkey

Press and hold any softkey or front panel button, such as [DCV].



If the message contains more information than will fit on the display, press the down arrow softkey to view the remaining information.

Press **OK** to exit Help.

**NOTE****Local Language Help**

All messages, context-sensitive help, and help topics are available in English, French, German, Spanish, Simplified Chinese, Traditional Chinese, Japanese, Korean, and Russian. All messages, context-sensitive help, and help topics appear in the selected language. The softkey labels and status line messages are not translated and are always in English. To select the language, press **[Shift] > [Store/Recall] | Utility > User Settings > Language**. Then select the desired language.

---

## Remote Interface Connections

This section describes how to connect to the various communication interfaces to your instrument. For further information about configuring the remote interfaces, refer to **Remote Interface Configuration**.

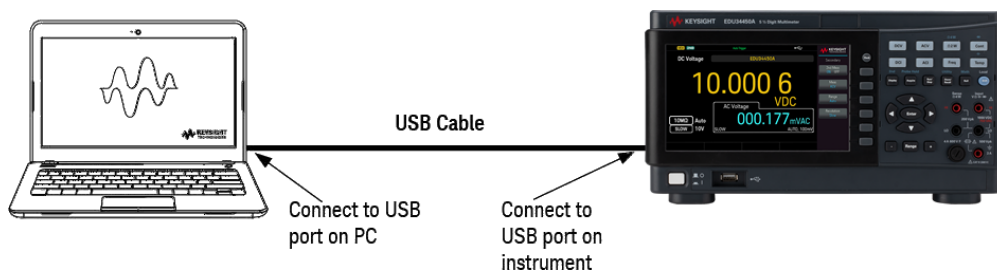
**NOTE**

If you have not already done so, install the Keysight IO Libraries Suite, which can be found at [www.keysight.com/find/iolib](http://www.keysight.com/find/iolib). For detailed information about interface connections, refer to the *Keysight Technologies USB/LAN/GPIB Interfaces Connectivity Guide* included with the Keysight IO Libraries Suite.

---

### Connect to the Instrument via USB

The following figure illustrates a typical USB interface system.



1. Connect your instrument to the rear USB port on your computer using a USB cable.
2. With the Connection Expert Utility of the Keysight IO Libraries Suite running, the computer will automatically recognize the instrument. This may take several seconds. When the instrument is recognized, your computer will display the VISA alias, IDN string, and VISA address. You can also view the instrument's VISA address from the front panel menu.
3. You can now use Interactive IO within the Connection Expert to communicate with your instrument, or you can program your instrument using the various programming environments.

**NOTE**

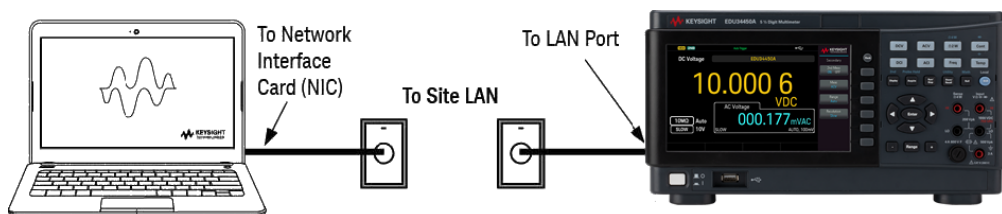
The USB cable is not recommended to be longer than 3 meters.

---

## Connect to the Instrument via LAN (Site and Private)

### Site LAN

A **site LAN** is a local area network in which LAN-enabled instruments and computers are connected to the network through routers, hubs, and/or switches. They are typically large, centrally-managed networks with services such as DHCP and DNS servers. The following figure illustrates a typical site LAN system.



1. Connect the instrument to the site LAN or to your computer using a LAN cable. The as-shipped instrument LAN settings are configured to automatically obtain an IP address from the network using a DHCP server (DHCP is ON by default). The DHCP server will register the instrument's hostname with the dynamic DNS server. The hostname as well as the IP address can then be used to communicate with the instrument. The front panel LAN indicator will come on when the LAN port has been configured.

**NOTE** If you need to manually configure any instrument LAN settings, refer to [Remote Interface Configuration](#) for information about configuring the LAN settings from the front panel of the instrument.

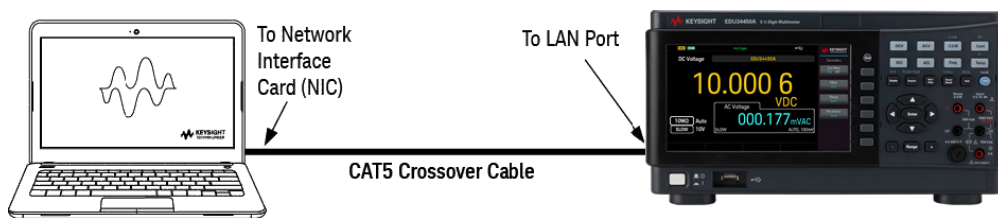
2. Use the Connection Expert utility of the Keysight IO Libraries Suite to add the instrument and verify a connection. To add the instrument, you can request the Connection Expert to discover the instrument. If the instrument cannot be found, add the instrument using its hostname or IP address.

**NOTE** If this does not work, refer to "Troubleshooting Guidelines" in the *Keysight Technologies USB/LAN/GPIB Interfaces Connectivity Guide* included with the Keysight IO Libraries Suite.

3. You can now use Interactive IO within the Connection Expert to communicate with your instrument, or you can program your instrument using the various programming environments. You can also use the Web browser on your computer to communicate with the instrument as described under Remote Control.

### Private LAN

A **private LAN** is a network in which LAN-enabled instruments and computers are directly connected, and not connected to a site LAN. They are typically small, with no centrally-managed resources. The following figure illustrates a typical private LAN system.



1. Connect the instrument to the computer using a LAN crossover cable. Alternatively, connect the computer and the instrument to a standalone hub or switch using regular LAN cables.

**NOTE** Make sure your computer is configured to obtain its address from DHCP and that NetBIOS over TCP/IP is enabled. Note that if the computer had been connected to a site LAN, it may still retain previous network settings from the site LAN. Wait one minute after disconnecting it from the site LAN before connecting it to the private LAN. This allows Windows to sense that it is on a different network and restart the network configuration.

---

2. The factory-shipped instrument LAN settings are configured to automatically obtain an IP address from a site network using a DHCP server. You can leave these settings as they are. Most Keysight products and most computers will automatically choose an IP address using auto-IP if a DHCP server is not present. Each assigns itself an IP address from the block 169.254.nnn. Note that this may take up to one minute. The front panel LAN indicator will come on when the LAN port has been configured.

**NOTE** Turning off DHCP reduces the time required to fully configure a network connection when the power supply is turned on. To manually configure the instrument LAN settings, refer to [Remote Interface Configuration](#) for information about configuring the LAN settings from the front panel of the instrument.

---

3. Use the Connection Expert utility of the Keysight IO Libraries Suite to add the power supply and verify a connection. To add the instrument, you can request the Connection Expert to discover the instrument. If the instrument cannot be found, add the instrument using its hostname or IP address.

**NOTE** If this does not work, refer to “Troubleshooting Guidelines” in the *Keysight Technologies USB/LAN/GPIB Interfaces Connectivity Guide* included with the Keysight IO Libraries Suite.

---

4. You can now use Interactive IO within the Connection Expert to communicate with your instrument, or you can program your instrument using the various programming environments. You can also use the Web browser on your computer to communicate with the instrument as described under Remote Control.

## Remote Interface Configuration

The instrument supports remote interface communication over two interfaces: USB and LAN. Both are "live" at power up.

- USB Interface: Use the rear-panel USB port to communicate with your PC. There is no configuration required for the USB interface. Simply connect the instrument to your PC with a USB cable.
- LAN Interface: Use the rear-panel LAN port to communicate with your PC. By default, DHCP is on, which may enable communication over LAN. The acronym DHCP stands for Dynamic Host Configuration Protocol, a protocol for assigning dynamic IP addresses to networked devices. With dynamic addressing, a device can have a different IP address every time it connects to the network.

**NOTE** It is recommended to remove any unused remote interface connection.

---

## Keysight IO Libraries Suite

**NOTE** Ensure that the Keysight IO Libraries Suite is installed before you proceed for the remote interface configuration.

---

Keysight IO Libraries Suite is a collection of free instrument control software that automatically discovers instruments and allows you to control instruments over LAN, USB, GPIB, RS-232, and other interfaces. For more information, or to download IO Libraries, go to [www.keysight.com/find/iosuite](http://www.keysight.com/find/iosuite).

## LAN Configuration

The following sections describe the LAN configuration functions on the front-panel menu.

When shipped, DHCP is on, which may enable communication over LAN. The acronym DHCP stands for Dynamic Host Configuration Protocol, a protocol for assigning dynamic IP addresses to devices on a network. With dynamic addressing, a device can have a different IP address every time it connects to the network.

Some LAN settings require you to cycle instrument power to activate them. The instrument briefly displays a message when this is the case, so watch the screen closely as you change LAN settings.

**NOTE** After changing the LAN settings, you must save the changes. Press **Apply** to save the setting. If you do not save the setting, exiting the I/O Config menu will also prompt you to press **Yes** to save the LAN setting or **No** to exit without saving. Selecting **Yes** cycles power to the instrument and activates the settings. LAN settings are non-volatile; they will not be changed by power cycling or \*RST. If you do not want to save your changes, press **No** to cancel all changes.

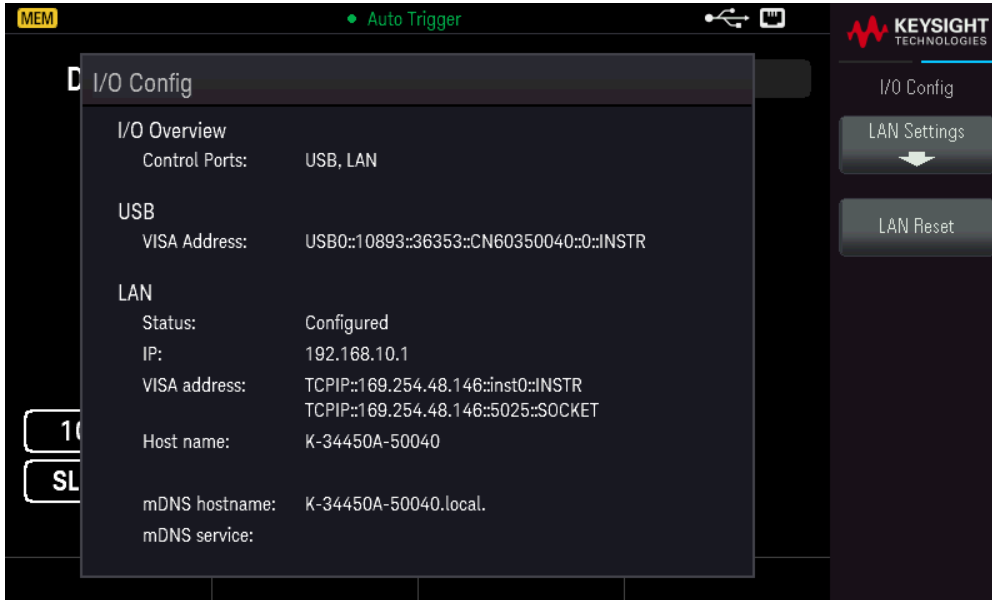
---



## View the LAN Settings

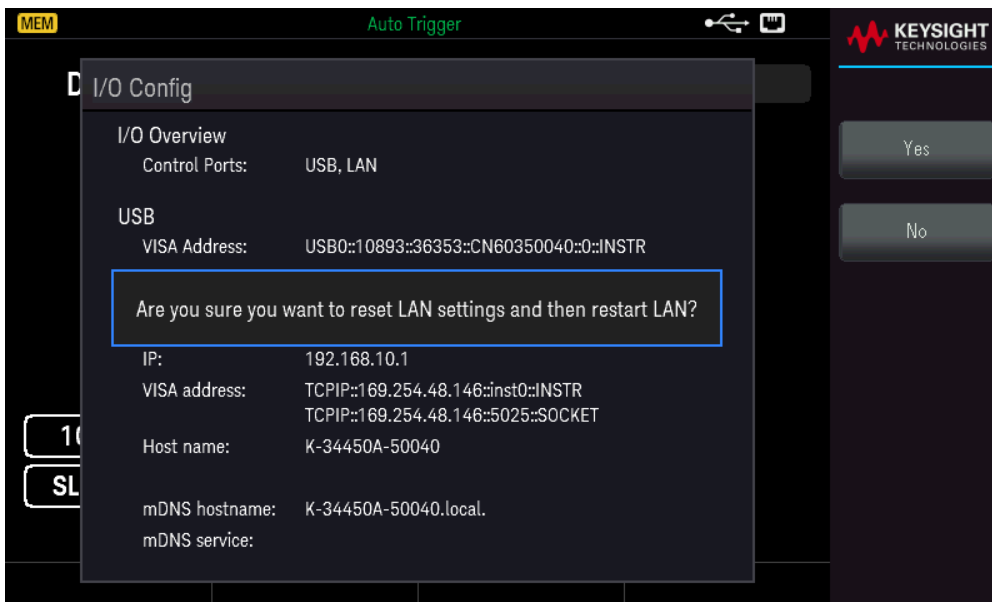
Press **[Shift]** > **[Store/Recall]** | **Utility** > **I/O Config** to view the LAN Settings.

The LAN status may be different from the front panel configuration menu settings - depending on the configuration of the network. If the settings are different, it is because the network has automatically assigned its own settings.



Press **LAN Settings** to access the LAN Settings Menu. See **Modify the LAN Settings** for more details.

Press **LAN Reset** restore the LAN settings to default values.

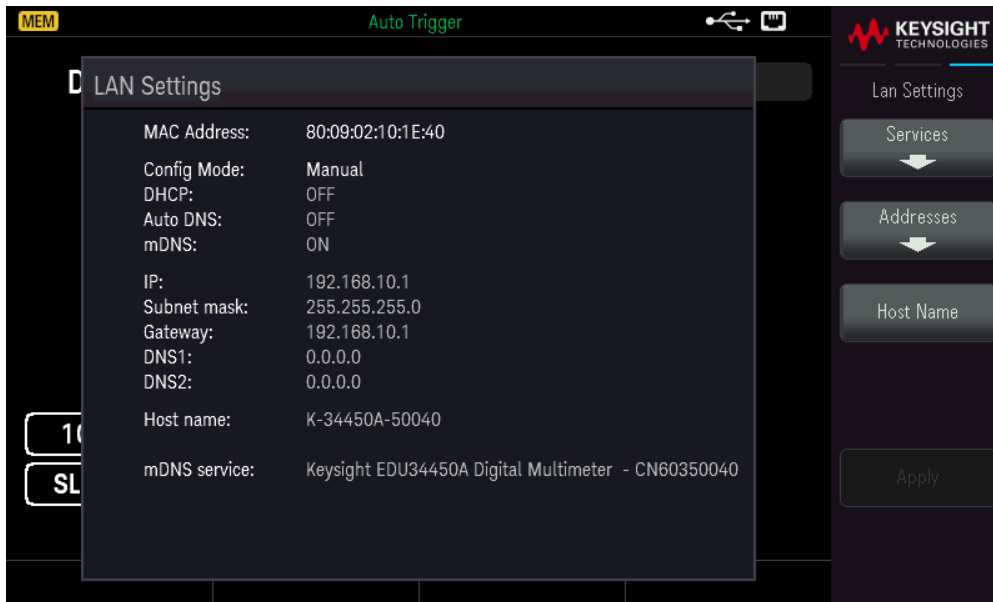


## Modify the LAN Settings

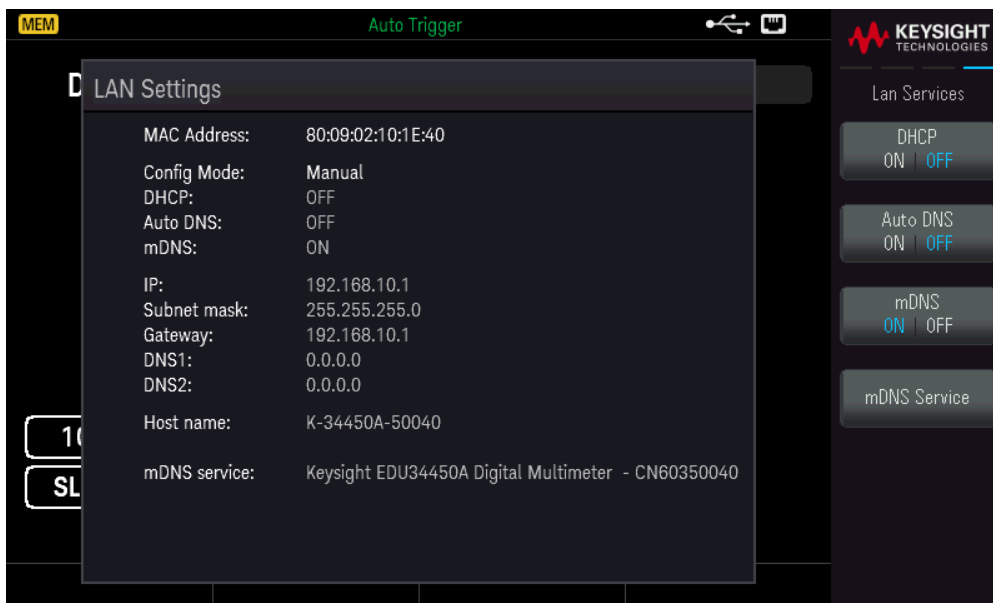
As shipped from the factory, the instrument pre-configured settings should work in most LAN environments. Refer to the "Non-Volatile Settings" in the *Programming Guide* for information on the factory-shipped LAN settings.

1. Access the LAN Settings menu.

Press the **LAN Settings** softkey.



Select **Services** to turn the various LAN services on or off.



With DHCP on, an IP address will automatically be set by the DHCP (Dynamic Host Configuration Protocol) when you connect the instrument to the network, provided the DHCP server is found and is able to do so. DHCP also automatically deals with the subnet mask and gateway address, if required. This is typically the easiest way to establish LAN communication for your instrument. All you need to do is leave DHCP on. Contact your LAN administrator for details.

## 2. Establish an "IP Setup."

If you are not using DHCP (use the **Services** softkey to set **DHCP** to **OFF**), you must establish an IP setup, including an IP address, and possibly a subnet mask and gateway address.



Press **[Back]** > **Addresses** > **Modify** to configure the IP address, subnet mask, and gateway address.



Contact your network administrator for the IP address, subnet mask, and IP gateway to use.

**IP Address:** All IP addresses take the dot-notation form "nnn.nnn.nnn.nnn" where "nnn" in each case is a byte value in the range 0 through 255. You can enter a new IP address using the arrow keys. Press **Previous** or **Next** to move the cursor to the next field or previous field. **Do not enter leading zeros.**

**Subnet Mask:** Subnetting allows the LAN administrator to subdivide a network to simplify administration and

minimize network traffic. The subnet mask indicates the portion of the host address used to indicate the subnet. Use the arrow keys to enter a new subnet mask address. Press **Previous** or **Next** to move the cursor to the next field or previous field.

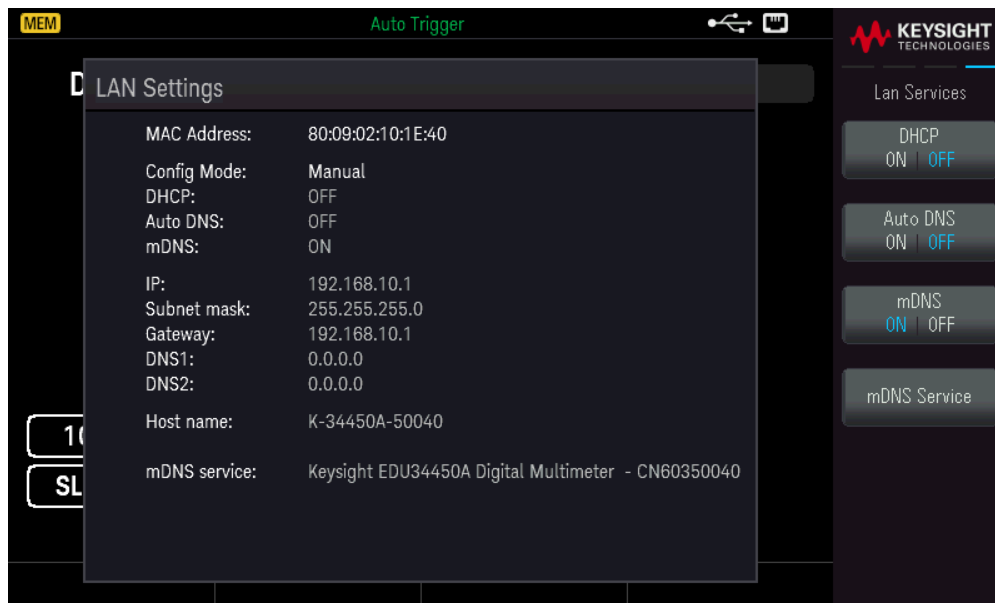
**Gateway:** A gateway is a network device that connects networks. The default gateway setting is the IP address of such a device. Use the arrow keys to enter a new gateway address. Press **Previous** or **Next** to move the cursor to the next field or previous field.

Press **Apply** to save your changes.

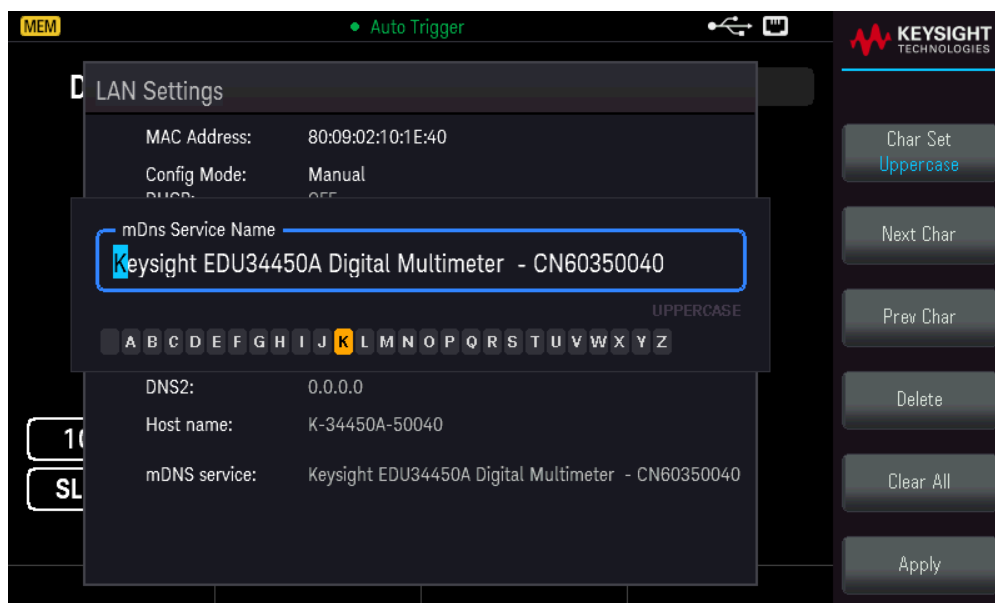
### 3. Configure the "DNS Setup" (optional)

DNS (Domain Name Service) is an Internet service that translates domain names into IP addresses. Ask your network administrator whether DNS is in use, and if it is, for the host name, domain name, and DNS server address to use.

Normally, DHCP discovers DNS address information; you only need to change this if DHCP is unused or not functional. To manually configure the addressing of the instrument, use the **Services** softkey to set **Auto DNS** to **OFF**.



a. Set the "hostname." Press **[Back]** > **Host Name** and enter the hostname. A hostname is the host portion of the domain name, which is translated into an IP address. The hostname is entered as a string using the softkeys provided. The hostname may include letters, numbers, and dashes ("-"). Press **Apply** to save your changes.



The instrument is shipped with a default hostname with the following format: K-{modelnumber}-{serialnumber},

where {modelnumber} is the instrument's 6-character model number (e.g. 33212A) and {serialnumber} is the last five characters of the instrument's serial number (e.g. 45678 if the serial number is CN12345678).

b. Set the "DNS Server" addresses. Press [Back]. Press **Addresses** > **Modify** to configure the DNS server addresses.

Enter the Primary DNS (**DNS1**) and Second DNS (**DNS2**). Use the arrow keys to enter a new DNS server address. Press **Previous** or **Next** to move the cursor to the next field or previous field. See your network administrator for details.



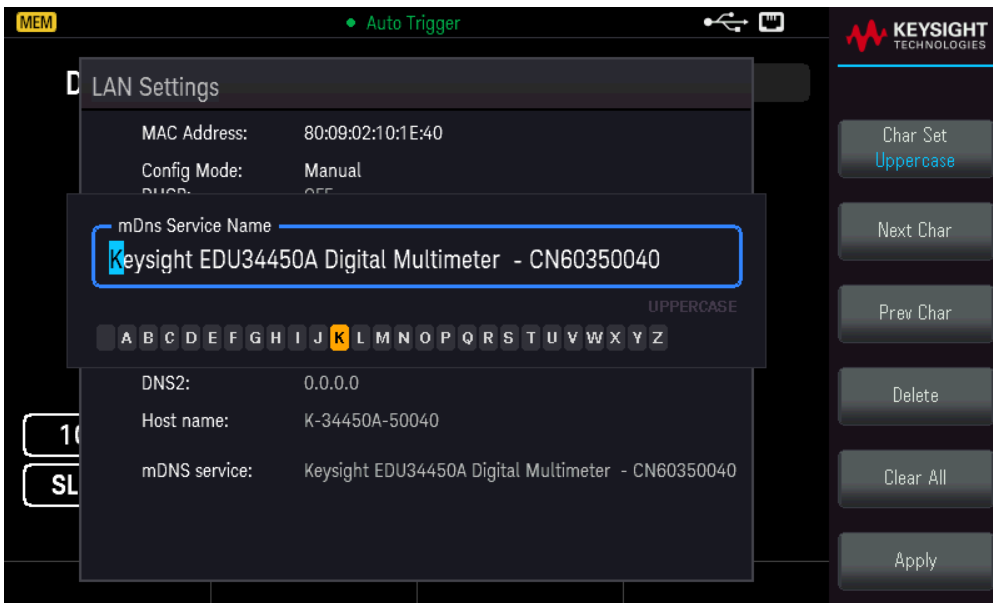
4. Configure the mDNS Service (optional).

Your instrument receives a unique mDNS service name at the factory, but you may change it. The mDNS service name must be unique on the LAN.

To manually configure the service name of the instrument, use the **Services** softkey to set mDNS to **ON**.



Press **mDNS Service**.



Use the softkeys provided to set a desired service name. The name must start with letter; other characters can be an upper or lower case letters, numeric digits, or dashes ("-"). Press **Apply** to save your changes.



## SCPI Socket Services

This instrument allow any combination of up to two simultaneous data socket, control socket, and telnet connections to be made.

Keysight instruments have standardized on using port 5025 for SCPI socket services. A data socket on this port can be used to send and receive ASCII/SCPI commands, queries, and query responses. All commands must be terminated with a newline for the message to be parsed. All query responses will also be terminated with a newline.

The socket programming interface also allows a control socket connection. The control socket can be used by a client to send device clear and to receive service requests. Unlike the data socket, which uses a fixed port number, the port number for a control socket varies and must be obtained by sending the following SCPI query to the data socket: `SYSTem:COMMunicate:TCPIp:CONTrol?`

After the port number is obtained, a control socket connection can be opened. As with the data socket, all commands to the control socket must be terminated with a newline, and all query responses returned on the control socket will be terminated with a newline.

To send a device clear, send the string "DCL" to the control socket. When the power system has finished performing the device clear it echoes the string "DCL" back to the control socket.

Service requests are enabled for control sockets using the Service Request Enable register. Once service requests have been enabled, the client program listens on the control connection. When SRQ goes true the instrument will send the string "SRQ +nn" to the client. The "nn" is the status byte value, which the client can use to determine the source of the service request.

## More About IP Addresses and Dot Notation

Dot-notation addresses ("nnn.nnn.nnn.nnn" where "nnn" is a byte value from 0 to 255) must be expressed with care, as most PC web software interprets byte values with leading zeros as octal (base 8) numbers. For example, "192.168.020.011" is actually equivalent to decimal "192.168.16.9" because ".020" is interpreted as "16" expressed in octal, and ".011" as "9". To avoid confusion, use only decimal values from 0 to 255, with no leading zeros.

## Remote Control

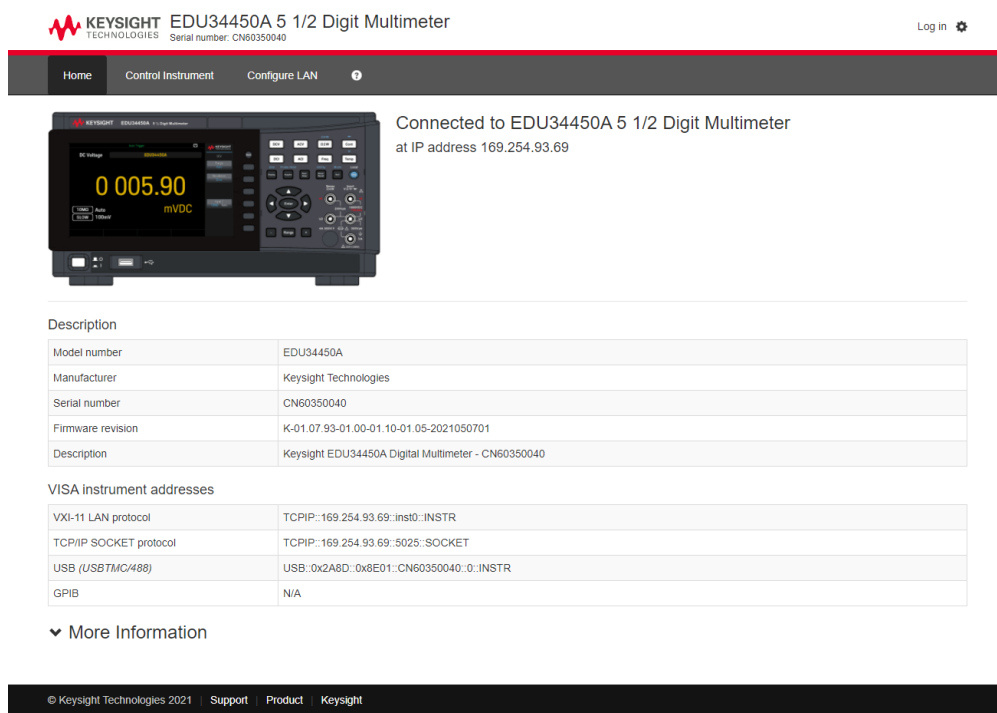
You can control the instrument via SCPI with Keysight IO Libraries or via a simulated front panel with the instrument's Web interface.

## Web Interface

You can monitor and control the instrument from a Web browser by using the instrument's Web interface. To connect, simply enter the instrument's IP address or hostname in your browser's address bar and press Enter.

### NOTE


If you see an error indicating 400: Bad Request, this is related to an issue with "cookies" in your Web browser. To avoid this issue, either start the Web interface by using the IP address (not hostname) in the address bar, or clear cookies from your browser immediately before starting the Web interface.



KEYSIGHT TECHNOLOGIES EDU34450A 5 1/2 Digit Multimeter Serial number: CN60350040 Log in

Home Control Instrument Configure LAN

Connected to EDU34450A 5 1/2 Digit Multimeter at IP address 169.254.93.69



Description

Model number	EDU34450A
Manufacturer	Keysight Technologies
Serial number	CN60350040
Firmware revision	K-01.07.93-01.00-01.10-01.05-2021050701
Description	Keysight EDU34450A Digital Multimeter - CN60350040

VISA instrument addresses

VXI-11 LAN protocol	TCPIP::169.254.93.69::inst0::INSTR
TCPIP SOCKET protocol	TCPIP::169.254.93.69::5025::SOCKET
USB (USBTMC/488)	USB::0x2A8D:0x8E01::CN60350040:0::INSTR
GPIB	N/A

More Information

© Keysight Technologies 2021 Support Product Keysight

The **Configure LAN** tab on the top allows you to change the instrument's LAN parameters; exercise caution when doing so, as you may interrupt your ability to communicate with the instrument.

When you click the **Control Instrument** tab, the instrument will ask you for a password (default is *keysight*), and then it will open a new page, shown below.

Control Instrument > Soft Front Panel

**Warning:** Should network communication issues occur, the reported readings and instrument configuration settings shown in the Soft Front Panel may not represent the actual readings or instrument state. Do not rely on the reported readings from the Soft Front Panel to determine if a circuit that may have hazardous voltages present is safely de-energized.  
Note: Please allow some time for the page to be reloaded after pressing any key. Press F5 for immediate page reload.



Screen Capture

This interface allows you to use the instrument just as you would from the front panel.

**WARNING READ WARNING**

Be sure to read and understand the warning at the top of the Control Instrument page..

Technical Connection Details

In most cases, you can easily connect to the instrument with the IO Libraries Suite or Web interface. In certain circumstances, it may be helpful to know the following information.

Interface	Details
VXI-11 LAN	VISA String: TCPIP0::<IP Address>::inst0::INSTR Example: TCPIP0::192.168.10.2::inst0::INSTR
Web UI	Port number 80, URL http://<IP address>/
USB	USB0::0x2A8D::<Prod ID>::<Serial Number>::0::INSTR Example: USB0::0x2A8D::0x8E01::CN12340005::0::INSTR The vendor ID: 0x2A8D, the product ID is 0x8E01, and the instrument serial number is CN12340005.

# 3 Features and Functions

Secondary Display

Math Operations

Acquire

Probe Hold

Run/Stop

Utility Menu

Store/Recall

This chapter contains details on instrument features, including front panel and remote interface operation. You may want to read Front Panel Menu Operation first. See the *EDU34450A Programming Guide* for details on SCPI commands and queries.

## Secondary Display

Most measurement functions have predefined range or measurement capabilities that can be displayed in the secondary measurement mode. All math operations have predefined operations that are displayed on the secondary display.

The table below shows the measurement functions which are available in the secondary display.

Primary Display	Secondary Display				
	DCV	ACV	DCI	ACI	FREQ
DCV	-	●	●	●	-
ACV	●	-	●	●	●
DCI	●	●	-	-	-
ACI	●	●	-	-	●
FREQ	-	●	-	●	-

- All specifications are ensured only under a single display.
- For ACI-ACV (primary or secondary) measurement, the ACV input signal is limited to 500,000 V×Hz.
- For DCI-ACV (primary or secondary) measurement, the ACV input signal is limited to 6,000,000 V×Hz.
- For DCV-ACV (primary or secondary) measurement, the DCV input signal is limited to 500 V when ACV input signal is in 100 mV range. The ACV input signal must be greater than 50 mV.
- For ACI-DCV (primary or secondary) measurement operation frequencies, refer to the table below.

ACI-DCV	Measurement Operation Frequency
Slow/Medium	>500 Hz (600 Hz) / n × 50 Hz (60 Hz) for <500 Hz
Fast	>10 kHz / n × 1 kHz for <10 kHz

- For more information, please refer to [Measurement Speed Consideration](#).
- For remote operation, refer to the DISPLAY:WINDOW2 commands in the *Keysight EDU34450A Programming Guide*.

### Front Panel Operations

Press [\[Shift\]](#) > [\[Display\]](#) > 2nd Meas [ON](#) | [OFF](#).



- To change the secondary measurement, press **Meas** to switch between the available options.
- To change the range of the secondary measurement, press **Range** to switch between the available options.
- To change the resolution of the secondary measurement, press **Resolution** to switch between the available options.
- To disable the secondary measurement, press **2nd Meas ON | OFF**.

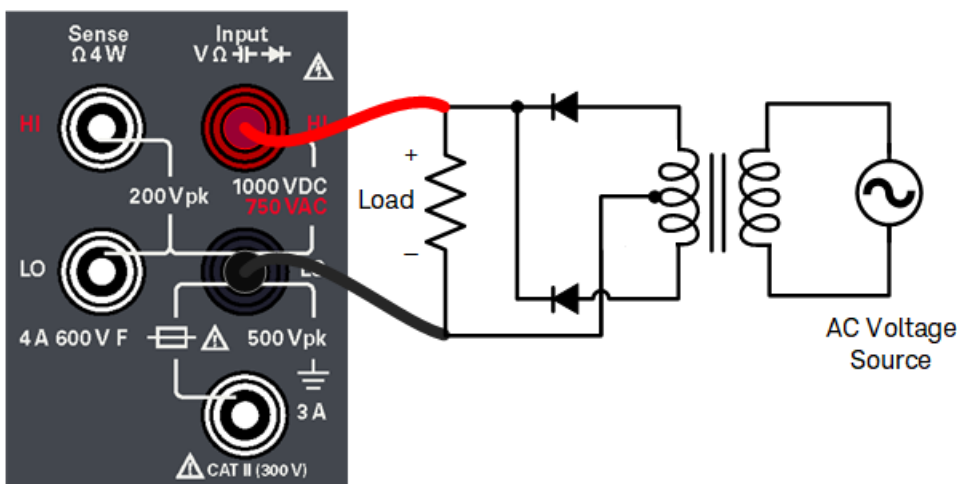
## Dual Display Operation Examples

This section describes some practical operations when using dual display feature.

### Measure DC Voltage and AC Ripple on a Rectification Circuit

A single measurement for both DC voltage and AC ripple can be displayed through both displays while testing a rectifier circuit.

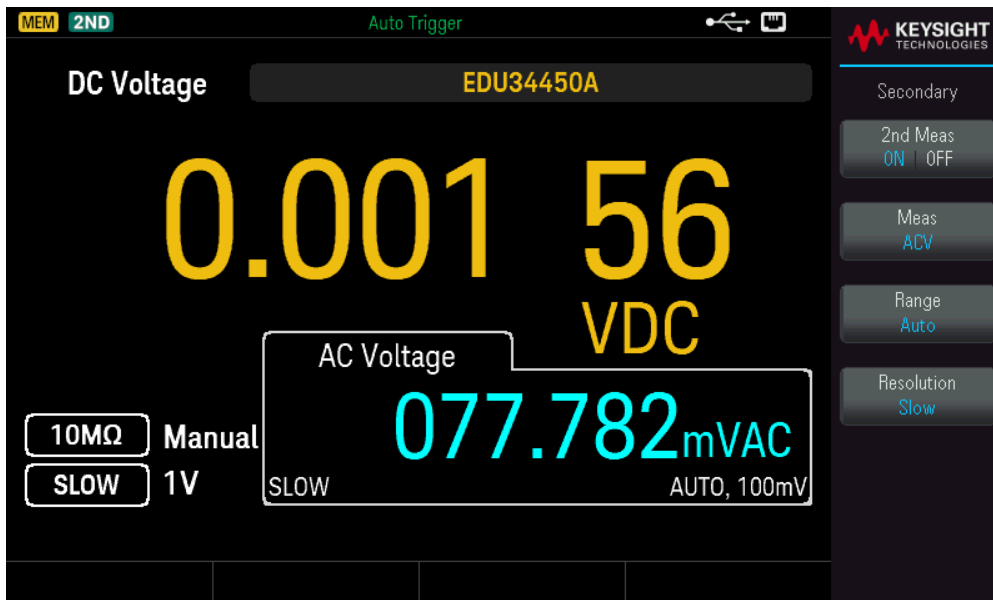
1. Connect the red and black test leads to the input terminal and probe the test points.



2. Press [DCV] to select DC voltage as the primary measurement.



3. Press [Shift] > [Display] > 2nd Meas ON | OFF to enable the secondary measurement.
4. Press Meas > ACV to select AC voltage as the secondary measurement.



5. Press Range and Resolution to adjust the measurement range and speed accordingly.

## Math Operations

The table below shows the various math operations that can be used with each measurement function:

Math Operation	Measurement Function										
	DCV	ACV	DCI	ACI	2RES	4RES	FREQ	DIODE	CONT	TEMP	CAP
Null	●	●	●	●	●	●	●	-	-	●	●
Scaling	●	●	-	-	-	-	-	-	-	-	-
Statistics	●	●	●	●	●	●	●	-	-	●	●
Limits	●	●	●	●	●	●	●	●	-	●	●

- Only one math operation can be enabled at a time.
- When the secondary display is enabled, selecting a math operation will turn off the secondary display.
- Changing the range and resolution is allowed for all math operations.
- You can edit the reference/offset/limit values used for the Null, Scaling, and Limits math operations.
- For remote operation, refer to the CALCulate Subsystem in the *EDU34450A Programming Guide*.

### Null

When making null measurements, also called relative, each reading is the difference between a stored null offset value and the input signal. One possible application is to increase the accuracy of a 2-wire resistance measurement by nulling the test lead resistance. Nulling the leads is also particularly important prior to making capacitance measurements. The formula used for calculating null measurements is:

$$\text{Null Measurement Display} = \text{Reading} - \text{Null Offset Value}$$

- The null offset value is adjustable. You can set it to any value between 0 and  $\pm 120\%$  of the highest range, for the present function.
- For resistance measurements, the instrument will read a non-zero value even when the two test leads are in direct contact because of the resistance of these leads. Short the test leads and press **[Null]** once the displayed value is stable to zero-adjust the display.
- For DC voltage measurements, the thermal effect will influence the accuracy. Short the test leads and press **[Null]** once the displayed value is stable to zero-adjust the display.

### Front Panel Operations

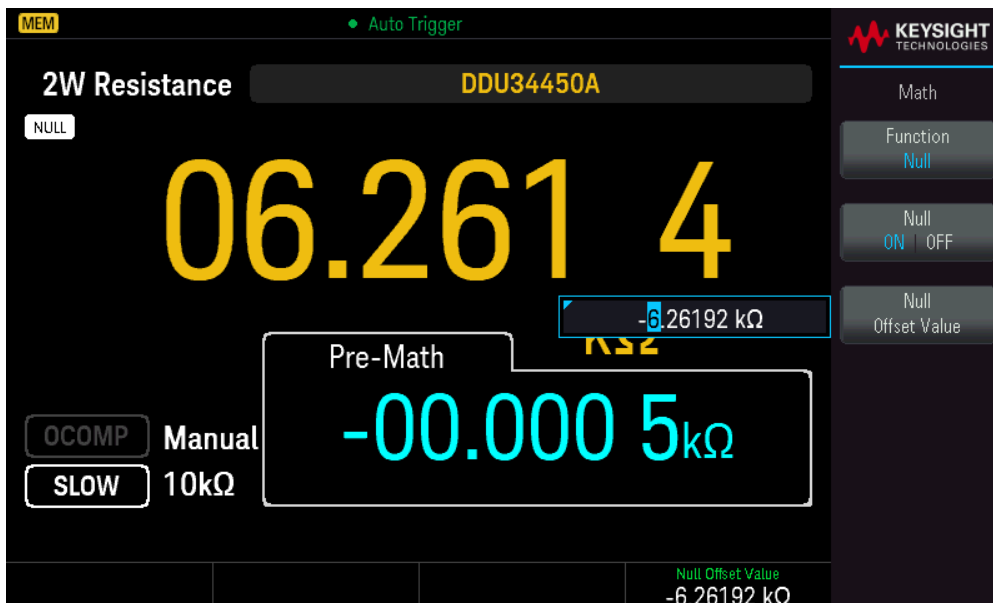
Press **[Null]** to enable the Null operation. The reading is captured as the null offset value.





The reading before the math formula is applied is shown in the secondary display.

To change the Null offset value, press **[Shift]** > **[Null]** | **Math** > **Null Offset Value**. Use the arrow keys to set a desired value. Press **[Enter]** when done.



To disable the Null operation, press **Null ON | OFF**.

## Scaling

There are two Scaling operations available: dB Scaling and dBm Scaling. The scaling operation applies to voltage measurements only.

### dB Scaling

Each dB measurement is the difference between the input signal and a stored relative value, with both values converted to dBm. When enabled, the dB operation computes the dBm value for the next reading, stores the dBm result into the relative value register, and immediately produces the dB calculation. The formula used for calculating dB measurements is:

$$dB = \text{Reading in dBm} - \text{Relative Value in dBm}$$

The relative value can take any value between 0 dBm and  $\pm 120.000$  dBm. The default relative value is 0 dBm. You can either let the instrument automatically measure this value, or you can enter a specific value.

The first displayed reading is always precisely 000.00 dB.

### Front Panel Operations

Press **[Shift]** > **[Null]** | **Math** > **Function Scaling** > **Scaling ON** | **OFF**. Then press **Scaling Function** and select **dB** to enable the dB Scaling operation.



The reading before the math formula is applied is shown in the secondary display.

To change the dB reference value, press **dB Reference Value**. Use the arrow keys to set a desired value. Press **[Enter]** when done.



To disable the dB Scaling operation, press **Scaling ON | OFF**.

### dBm Scaling

The logarithmic dBm (decibels relative to one milliwatt) scale is often used in RF signal measurements. The instrument takes a measurement and calculates the power delivered to a reference resistance (typically 50 Ω, 75 Ω, or 600 Ω). The voltage measurement is then converted to dBm. The formula used for calculating dBm measurements is:

$$dBm = 10 \times \log_{10} [(Reading^2 / R_{REF}) / 0.001 W]$$

You can choose from several reference resistance values:

$R_{REF} = 2 \Omega, 4 \Omega, 8 \Omega, 16 \Omega, 50 \Omega, 75 \Omega, 93 \Omega, 110 \Omega, 124 \Omega, 125 \Omega, 135 \Omega, 150 \Omega, 250 \Omega, 300 \Omega, 500 \Omega, 600 \Omega, 800 \Omega, 900 \Omega, 1000 \Omega, 1200 \Omega,$  or 8000 Ω.

### Front Panel Operations

Press **[Shift] > [Null] | Math > Function Scaling > Scaling ON | OFF**. Then press **Scaling Function** and select **dBm** to enable the dBm Scaling operation.



The reading before the math formula is applied is shown in the secondary display.

To change the dBm reference value, press **dBm Reference Value**. Use the arrow keys to select a desired value.



To disable the dBm Scaling operation, press **Scaling ON | OFF**.

## Limits

The Limit operation enables you to perform pass or fail testing to the upper and lower limits that you specify. The upper limit value you select must be larger than the lower limit value. The initial factory settings for both values is zero.

- This math operation applies to all measurement functions except continuity test.
- The instrument clears all limits after a Factory Reset (\*RST command), an Instrument Preset (SYSTEM:PRESet command), or when a measurement function is changed.

### Front Panel Operations

Press **[Shift]** > **[Null]** | **Math** > **Function Limits** > **Limits ON | OFF**.

The limit values and state is shown on the bottom of the display.

- PASS: The readings are within the specified limits.
- FAIL-HI: The reading is above the high limit.
- FAIL-LO: The reading is below the low limit.





To change the high limit value, press **High Limit**. Use the arrow keys to set a desired value. Press **[Enter]** when done. The high limit value must always be greater than the lower limit.

To change the low limit value, press **Low Limit**. Use the arrow keys to set a desired value. Press **[Enter]** when done.

To enable the beeper, press **Beeper ON | OFF**. Each time the input value transitions from PASS to HIGH or from PASS to LOW, or when transitioning directly from HIGH to LOW or LOW to HIGH, the instrument beeps once.

To disable the Limit operation, press **Limits ON | OFF**.

## Statistics

The Statistics operation stores the minimum and maximum values, the average, and the number of readings during a series of measurements.

- This math operation applies to all measurement functions except continuity and diode test.
- The stored statistical data are cleared when statistics are enabled, when the CALCulate:FUNCtion command is sent while the CALCulate:STATe is ON, when the power is turned off, after a Factory Reset (\*RST command), after an Instrument Preset (SYSTEM:PRESet command), or after a measurement function change.

### Front Panel Operations

Press **[Shift]** > **[Null]** | **Math** > Function **Statistics** > Statistics **ON** | **OFF**.



The minimum, maximum, and average readings together with the number of samples taken are shown on the bottom of the display.

To disable the readings, press **Statistics ON** | **OFF**.

## Acquire

The EDU34450A can operate in **Continuous** or **Data Log** measurement mode.

### Continuous

At power-on, the default measurement mode is **Continuous**. Continuous readings are taken at the fastest rate possible for the selected measurement configuration. To set the trigger source for the Continuous mode, follow the steps below:

1. Configure the multimeter for the measurement by selecting the function, range, resolution, and so on.
2. Specify the multimeter's measurement mode. Choices are as below:
  - An **Immediate** internal trigger (default).
  - A manual or software (**Bus**) trigger from the remote interface.
3. Ensure that the multimeter is ready to accept a trigger from the specified source (called the wait-for-trigger state).

### Immediate Triggering



In the continuous triggering mode, the trigger signal is always present. When you place the multimeter in the wait-for-trigger state, the trigger is issued immediately. This is the default trigger source for remote interface operation.

### Remote Interface Operation

The following command selects the immediate trigger source: `TRIGger:SOURce IMMEDIATE`

The `CONFigure` and `MEASure?` commands automatically set the trigger source to `IMMEDIATE`.

Refer to the *Keysight EDU34450A Programming Guide* for complete description and syntax for these commands.

### Software (Bus) Triggering

*The Software (Bus) trigger source can only be enabled via SCPI.*

The instrument automatically triggers immediately when you send a bus trigger command.

- The `TRIGger:SOURce BUS` command selects the bus trigger source.
- The `MEASure?` command overwrites the `BUS` trigger and triggers the DMM and returns a measurement.
- The `READ?` command does not overwrite the `BUS` trigger, and if selected, generates an error. It will only trigger the instrument and return a measurement when the `IMMEDIATE` trigger is selected.



– The INITiate command only initiates the measurement and needs a trigger (BUS or IMMEDIATE) to make the actual measurement.

Refer to the *Keysight EDU34450A Programming Guide* for the complete description and syntax for these commands.

## Data Log

The **Data Log** measurement mode, is available only from the multimeter's front panel. Data Log mode provides a front-panel user interface that allows you to set up data logging into the instrument's non-volatile memory, without programming, and without a connection to a computer. Once you have finished collecting data, you can view it from the front panel or you can view the data from your computer (DATA:DATA? NVMEM).

### Front Panel Operations

To select the Data Log measurement mode, press [Acquire] > Acquire **Continuous** > Acquire **Data Log**.



You can then select the sample interval (time between measurements - for example, 500 ms), duration as either an amount of time or a number of readings, and whether to start after a delay.

- Press **Trigger Delay** to set the delay time (0 to 3600 seconds) between a trigger is initiated and first reading is taken by the data log function. The smallest delay time resolution is 100  $\mu$ s.
- Press **Trigger Count** to set the total triggers that will be received. It can be configured from 1 to 5000 triggers for single display measurement and 2500 triggers for dual display measurement.
- Press **Sample Interval** to set the delay time (maximum 3600 seconds) between subsequent readings. The smallest resolution is 100  $\mu$ s. The minimum interval is configuration dependent and may be lower than 1 s.
- Press **Sample Count** to specify the number of readings (samples) the instrument will take per trigger. The total number of readings returned will be the product of the sample count and trigger count. (Number of Readings = Sample Count x Trigger Count).

After configuring the data logging parameters, press **Data Log ON | OFF** to enable data logging.

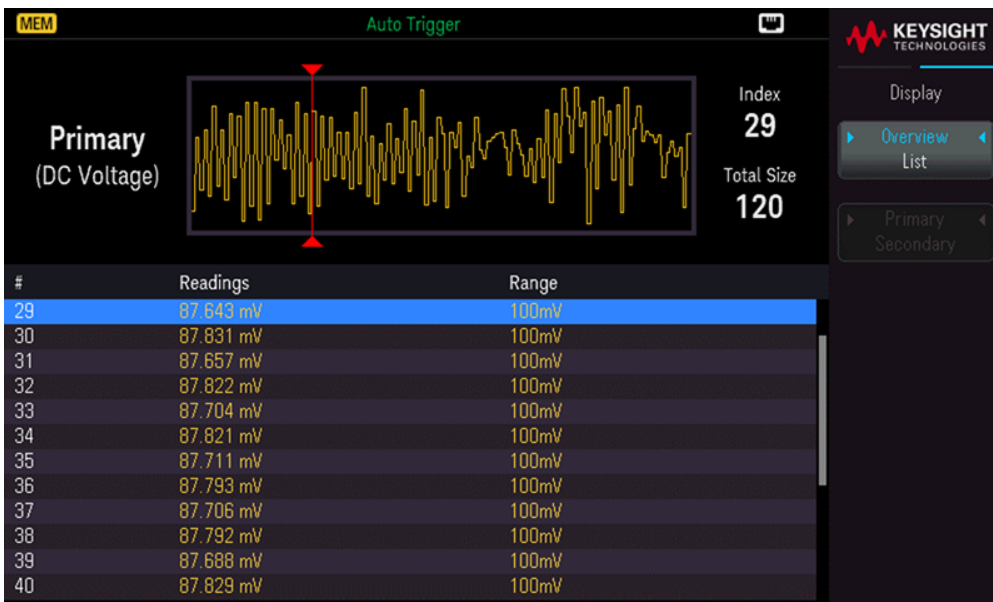


Press **[Run/Stop]**. Data logging will begin immediately or following the specified Trigger Delay (if Trigger Count is > 1).

Data logging will stop after the specified number of readings (Sample Count) has been collected.

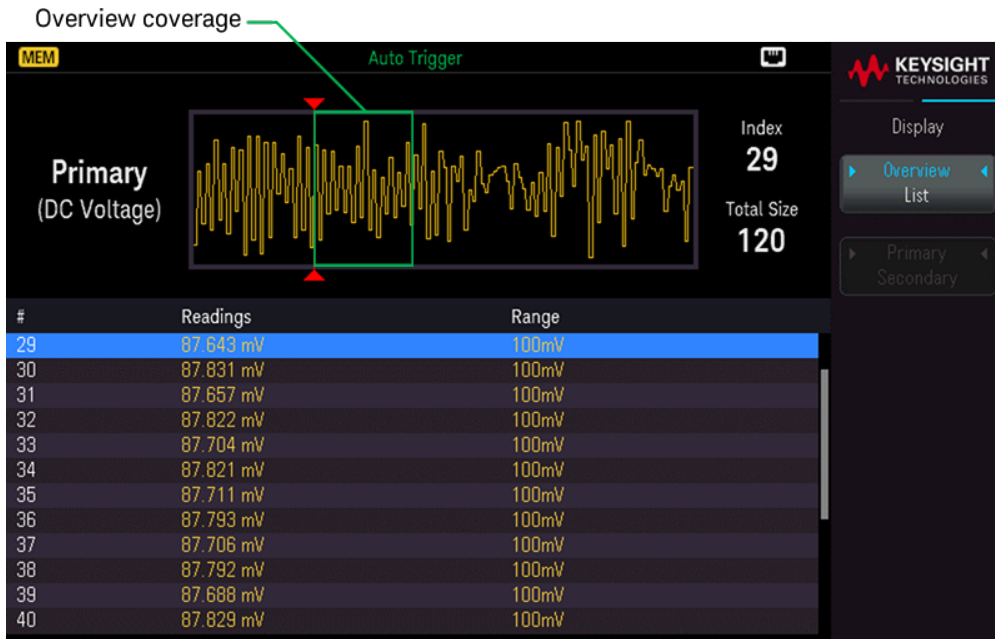
### Viewing the Data Logged Readings

Press **[Display]** > **View Log** to view the data logged readings. 12 data points are shown at any one time.

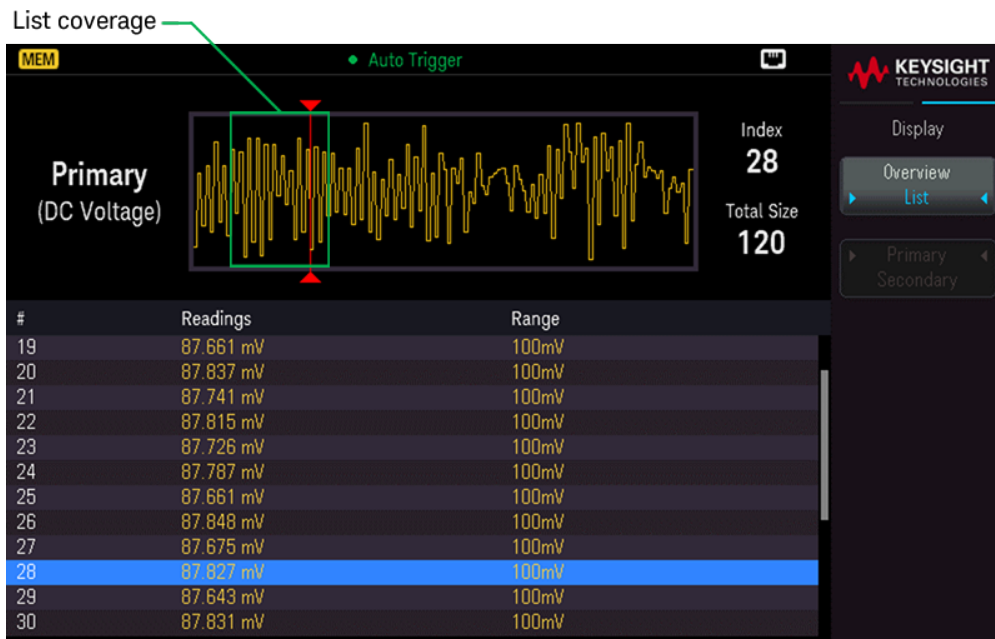


Use the **[Down]** or **[Up]** arrow keys to highlight the next or previous data point. The **[Right]** or **[Left]** arrow keys to display the next or previous page.

- **Overview** always displays the next 12 data points.



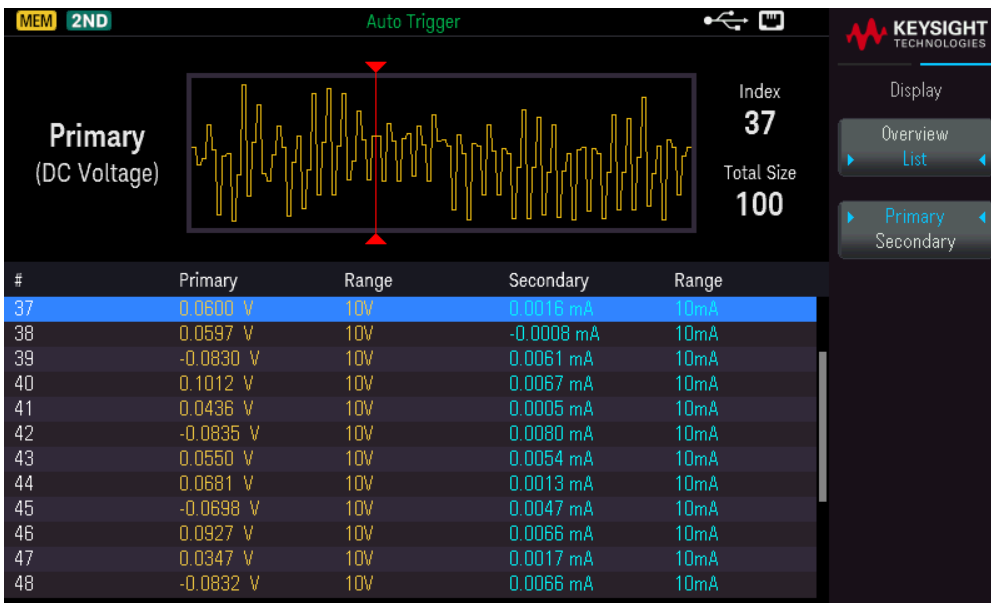
– List allows you to step through the data points shown.

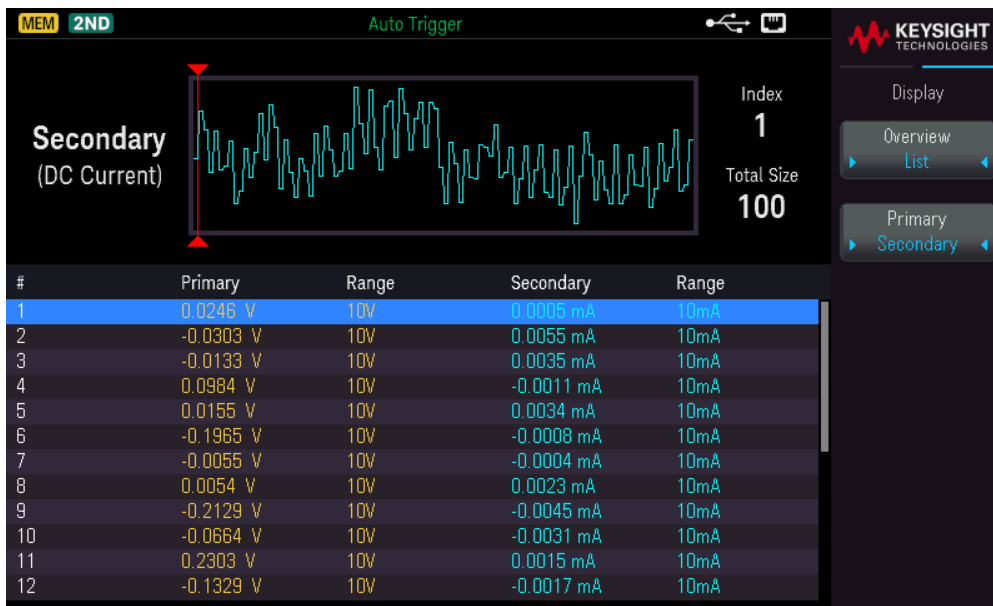


You can log data from both primary and secondary measurements if **Secondary Display** is enabled.



Press **Primary** | **Secondary** to toggle between the readings from the primary (shown in yellow) or secondary display (shown in blue).





## Probe Hold

The Probe Hold feature allows you to capture and hold a reading on the front panel display. This is useful in situations when you want to take a reading, remove the test probes, and have the reading remain on the display.

- When a stable reading is detected, the instrument beeps once (if the beeper is enabled), and holds the reading on the primary display. The preset variation is 10% of the full scale.
- A new reading value is captured when the variation of the measured value exceeds the preset variation. The instrument beeps once (if the beeper is enabled) when a captured reading is updated.
- If the reading value is unable to reach a stable state (when exceeding the preset variation), the reading value will not be updated.

When enabled, the instrument begins evaluating readings using the rules described below:

$$\text{Primary Display} = \text{Reading}_N \text{ IF } \text{Max}() - \text{Min}() \leq 0.1\% \times \text{Reading}_N$$

The decision to update a new reading value in the primary display is based upon the box-car moving statistics of the present reading and the three previous readings:

$$\text{Max}(\text{Reading}_N \text{ Reading}_{N-1} \text{ Reading}_{N-2} \text{ Reading}_{N-3})$$

$$\text{Min}(\text{Reading}_N \text{ Reading}_{N-1} \text{ Reading}_{N-2} \text{ Reading}_{N-3})$$

### Front Panel Operation

Press **[Shift]** > **[Acquire]** | **Probe Hold**.



The captured reading is shown on the bottom of the display. The live reading is shown at the top left of the display.

- Press **[–]** or **[+]** to decrease or increase the measurement range manually. Press **[Range]** to enable autoranging.
- Press **Resolution** to toggle the resolution between **Slow** or **Medium**.
- Press **Remove Last** to remove the last captured reading.

- Press **Clear Readings** to clear all captured readings.
- To enable the beeper, press **Beeper ON | OFF**. When a stable reading is detected or when the captured reading is updated, the instrument beeps once.

## Run/Stop

- Pressing [**Run/Stop**] when in **Data Log** measurement mode starts the data logging when the specified delay has elapsed.
- Data logging will stop after the specified duration (time or number of readings) has occurred or after you long press [**Run/Stop**].

## Utility Menu

Press **[Shift]** > **[Store/Recall]** | **Utility**.



The **Utility** menu provides the following features:

Configures the I/O parameters for remote operations

Provides access to self-test, calibration, and security functions

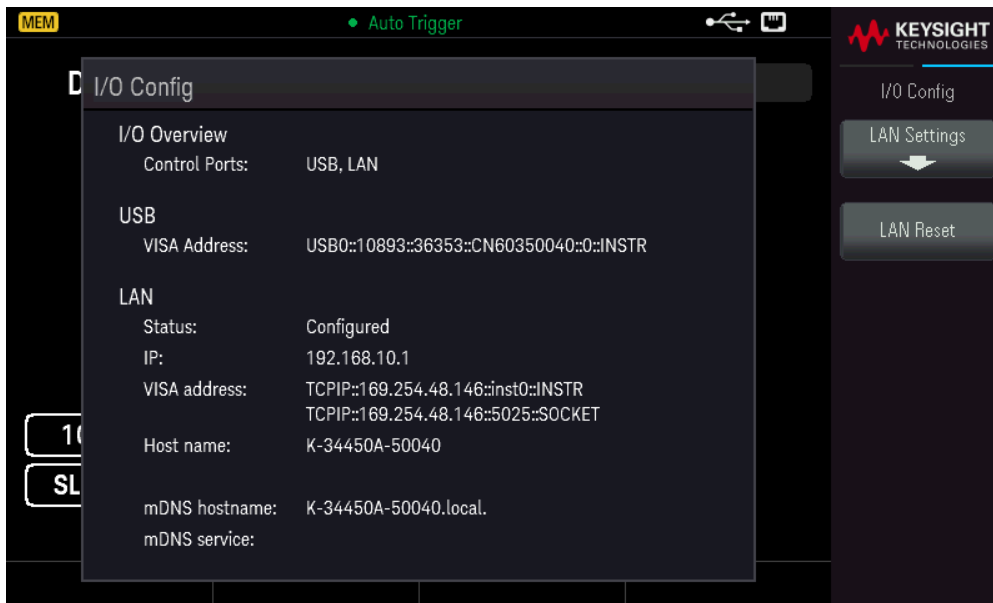
Specifies the user preferences that control how you interact with the instrument

Displays information related the instrument and allows you to view all recorded errors



## I/O Config Menu

I/O Config configures the I/O parameters for remote operations over the LAN interface.



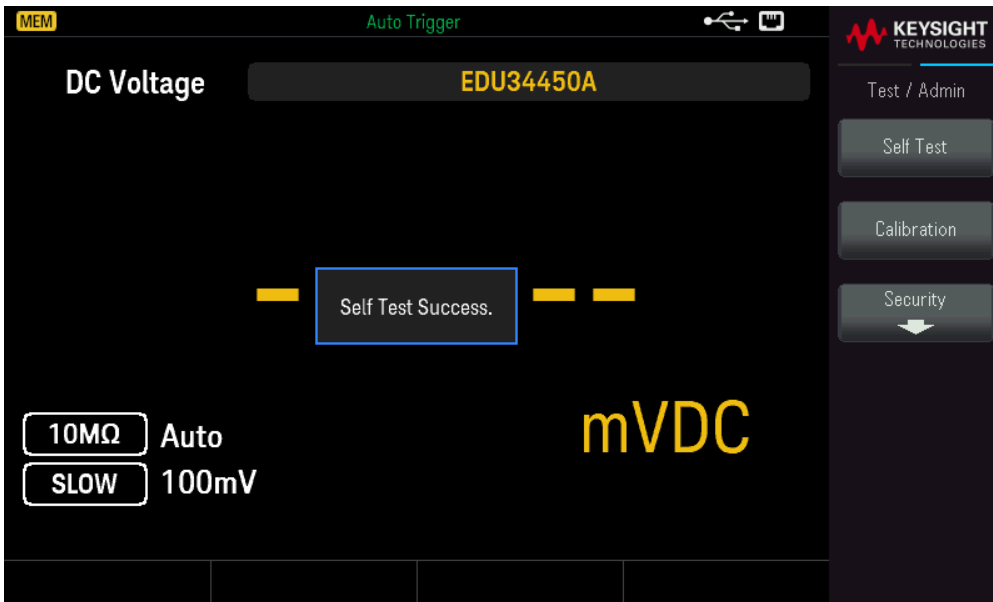
See [Remote Interface Connections](#) and [Remote Interface Configurations](#) for more details.

## Instrument Setup Menu

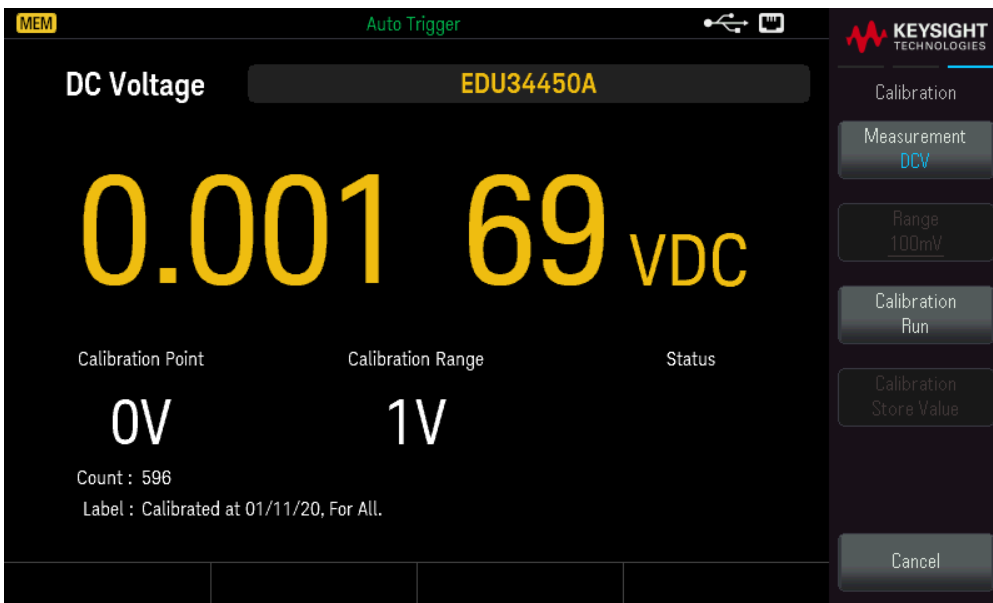
Instr. Setup provides access to self-test, calibration, and security functions.



**Self Test** verifies proper instrument operation. This self-test is equivalent to the \*TST? SCPI query, and you do not need to remove inputs to the instrument to run the test.



**Calibration** accesses the instrument's calibration procedures. See "Calibration Adjustment Procedures" in the *EDU34450A Service Guide* for more details.



**Security** manages the passcode and allows you to lock or unlock the instrument against unauthorized calibration.

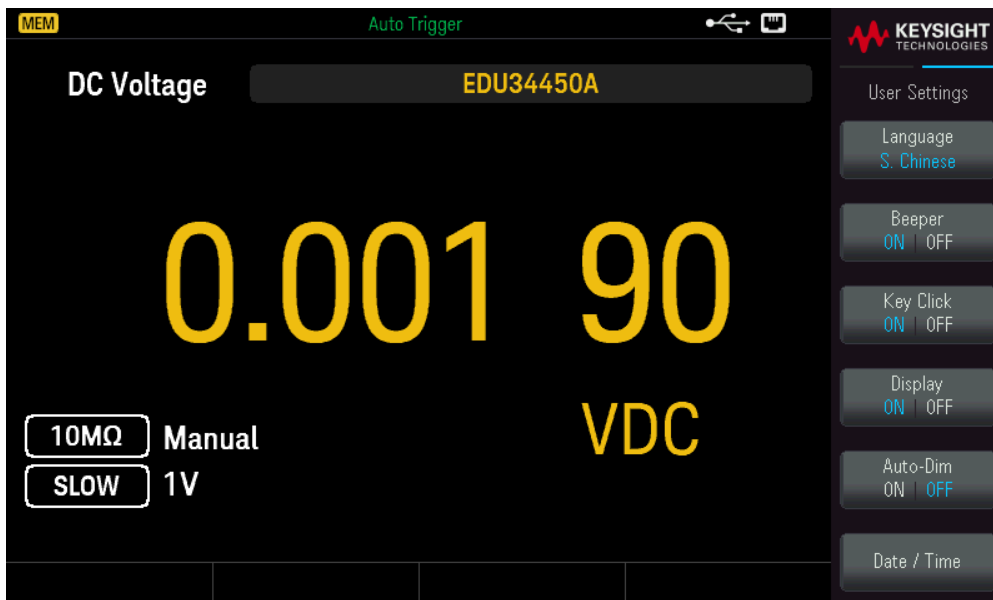


Press **Lock** to secure the instrument against accidental or unauthorized instrument calibration. When shipped from the factory, the instrument is secured, with the security code (calibration password) set to **EDU34450A**. The same security code must be used for front panel and remote operation. If you secure the instrument from the front panel, use that same code to unsecure it from the remote interface.

Press **Change Passcode** to set a new passcode. The passcode is an unquoted string up to 12 characters, must start with letter (A-Z), and may contain letters, numbers (0-9) and underscores. Press **Confirm** to save your changes when you are done.

### User Settings Menu

**User Settings** specifies user preferences that control how you interact with the instrument. These settings are stored in non-volatile memory.



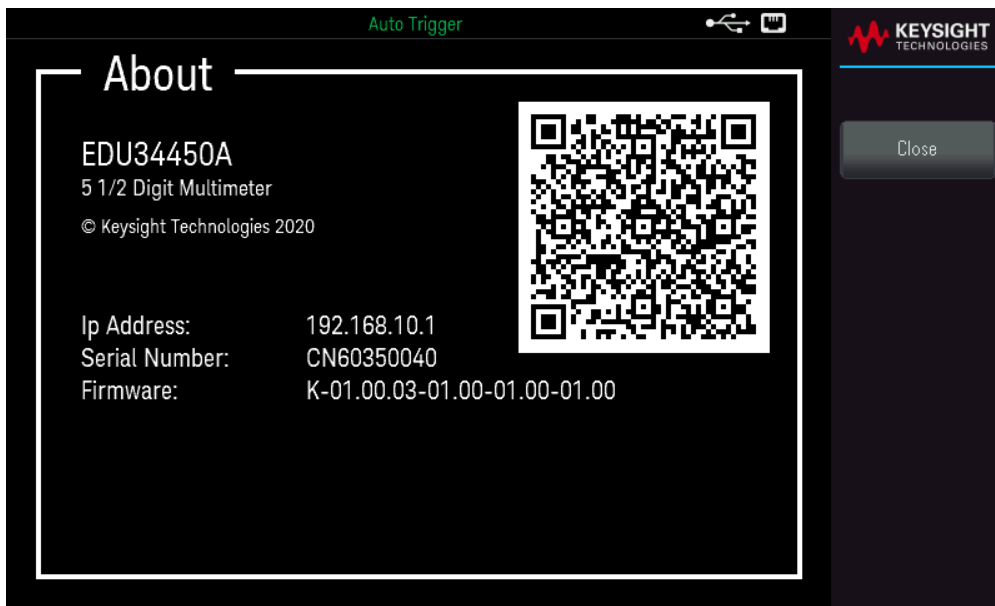
- **Language** selects the help language for front panel use: English, French, German, Spanish, Simplified Chinese, Traditional Chinese, Japanese, Korean, or Russian. All messages, context-sensitive help, and help topics appear in the selected language. The softkey labels and status line messages are not translated and are always in English.
- **Beeper** enables or disables the audible tone (**ON** or **OFF**) associated with the following features:
  - Limits – a measurement limit is exceeded (if limits are enabled)
  - Probe Hold – the measured signal records a stable reading
  - Diode – the forward bias voltage is between 0.3 and 0.8 V
  - Error – an error is generated from the front panel or remote interface
- **Key Click** disables or enables the click heard when a front panel key or softkey is pressed.
- **Display** turns off the display. Press any front panel key to turn it on again.
- **Auto-Dim** dims the screen after 2 minutes of inactivity.
- **Date / Time** sets the instrument's real-time clock, which always uses a 24-hour format (00:00:00 to 23:59:59). There is no automatic setting of the date and time, such as to adjust for daylight savings time. Use the front panel arrow keys to set the year, month, day, hour, minute, and second.

## Help Menu

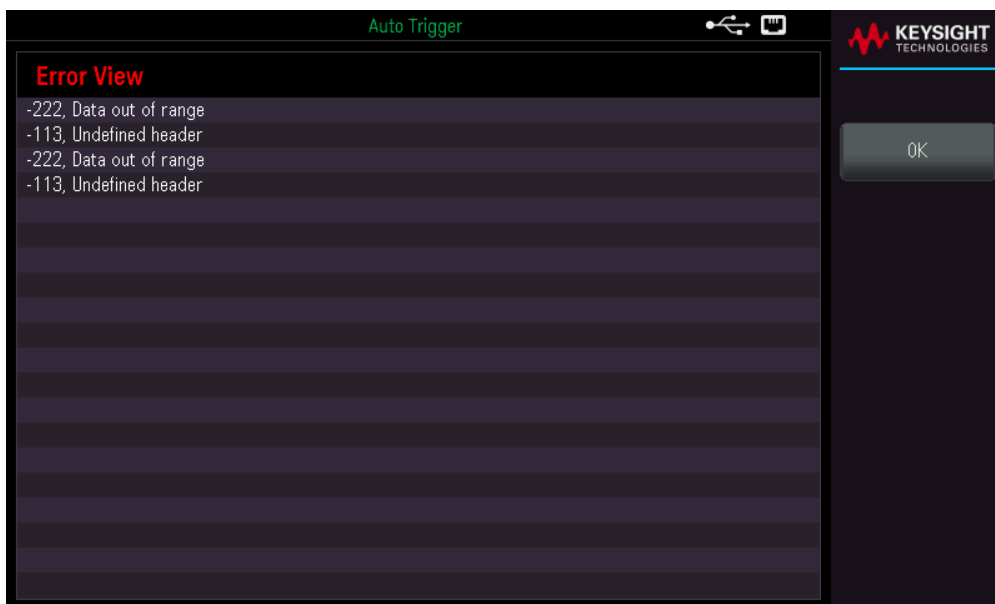
**Help** displays information related to your instrument and allows you to view all the errors in the error queue.



**About** shows the instrument IP address, serial number, and firmware revision. Scan the QR code shown to view the documentation related to this instrument.



**Error View** displays all the errors in the error queue. See "SYSTEM:ERRor?" in the *EDU34450A Programming Guide* for more details.



## Store/Recall

You can save and recall complete instrument states.

- There are five internal user storage registers; numbered 1 through 5.
- The present instrument state, including all settings for measurement configuration, math operations, and system operations, can be saved in one of the five non-volatile memory location and later recalled.
- For remote operation, refer to the MEMory Subsystem, the \*SAV, and \*RCL commands in the *Keysight EDU34450A Programming Guide*.

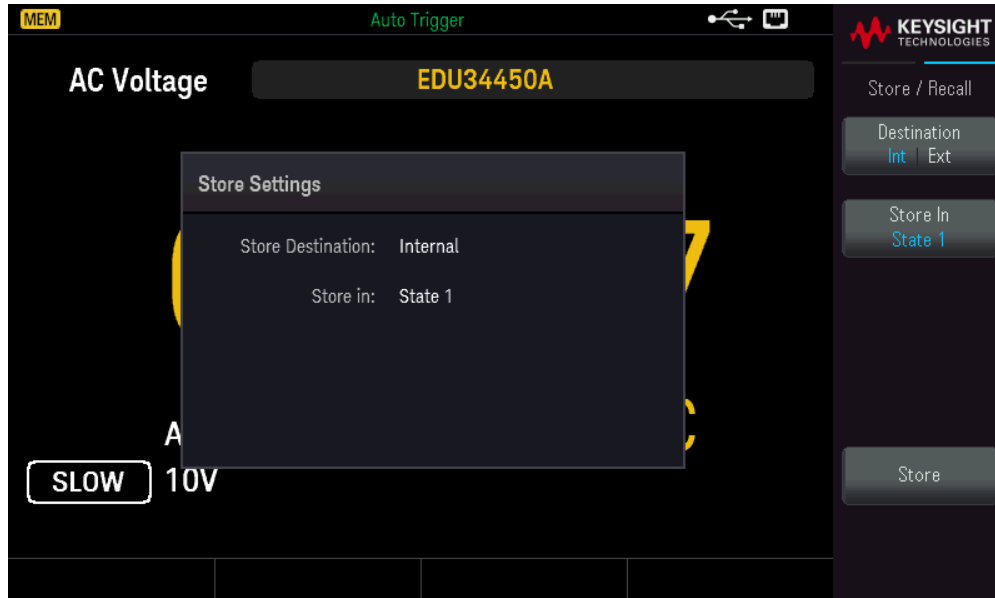
## Front Panel Operations

Press [Store/Recall].



### Store Settings

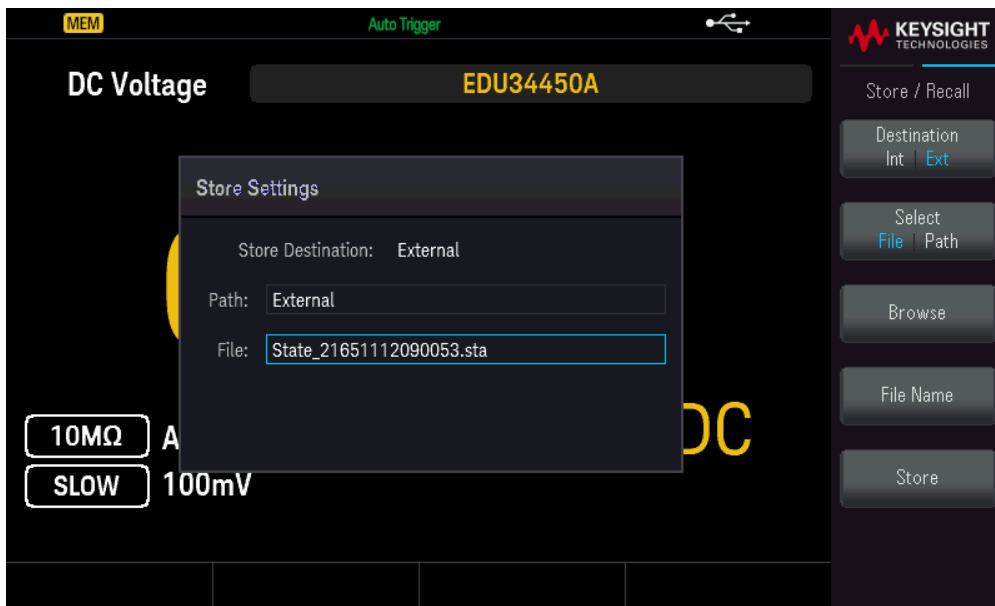
**Store Settings** allows you to browse to a directory and specify a file name, and to choose whether you want to store a state file internally or to an external USB drive.



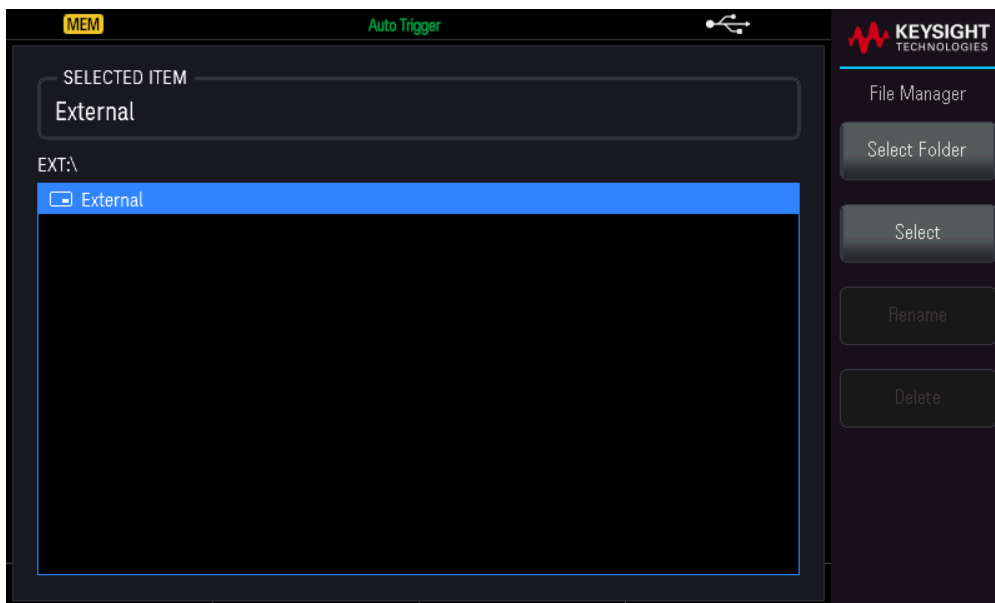
### To Store an Instrument State Internally

- Select **Destination Int | Ext** to store the instrument state internally within the instrument non-volatile memory.
- Select **Store In** to choose between the available options: **Last**, **State 1**, **State 2**, **State 3**, **State 4**, or **State 5**.
- Press **Store** to save the current instrument state into the selected storage location.

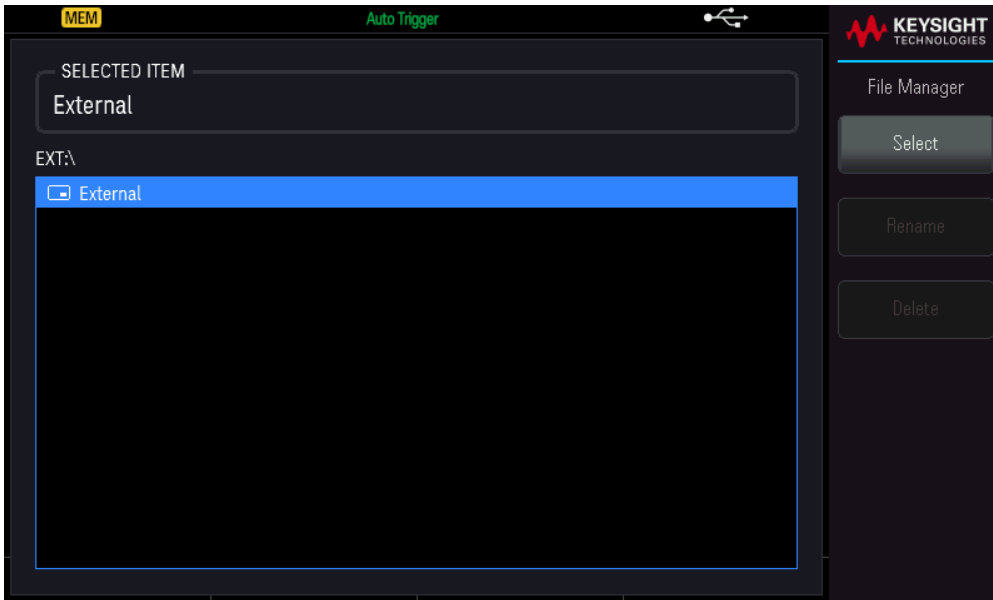
### To Store an Instrument State Externally



- Press **Destination Int | Ext** to store the instrument state in a connected external USB device.
- Press **Select File | Path**. Press **Browse** to browse the directory of the connected external USB device. Use the arrow keys to navigate.



- Press **Select Folder** to select a folder in the directory of the connected external USB device
- Press **Rename** to rename the file.
- Press **Delete** to delete the selected file.
- Press **Select** to confirm your selection.
- Press **Select File | Path**. Press **Browse** browse the directory of the connected external USB device. Use the arrow keys to navigate.

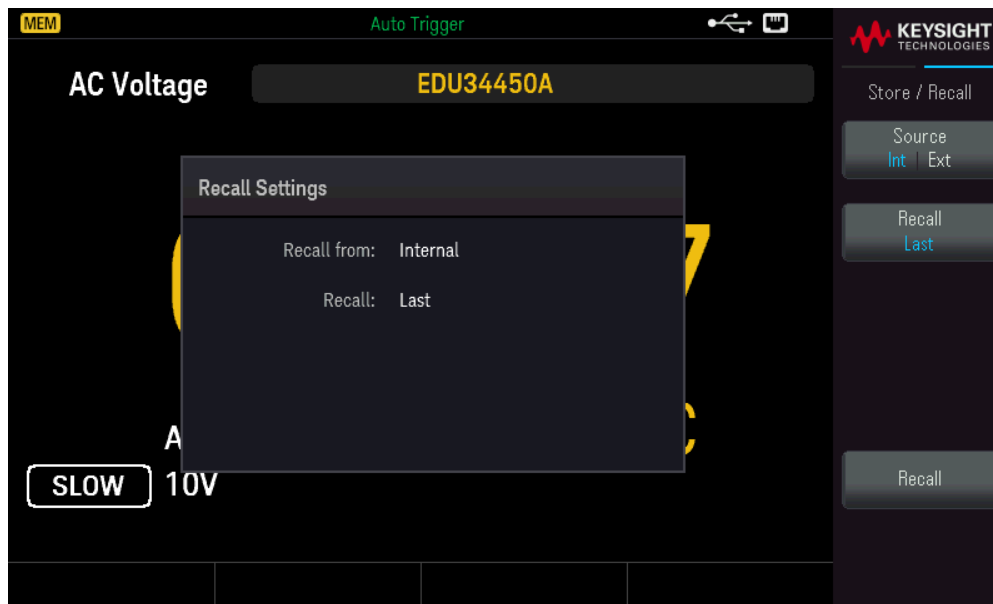


- Press **Rename** to rename the file.
- Press **Delete** to delete the selected file.
- Press **Select** to confirm your selection.
- Select **File Name** to specify a file name.
- Press **Store** to save the current instrument state into the selected storage location.



## Recall Settings

Recall Settings allows you to browse to the file to be recalled. Use the arrow keys to navigate to the desired state file (\*.sta).



### To Recall an Instrument State Stored Internally

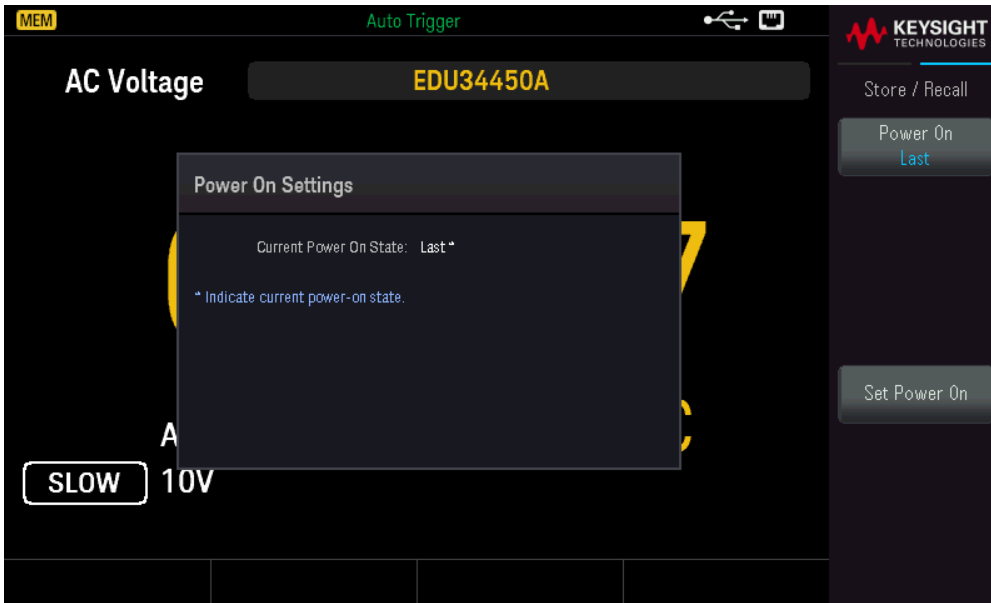
- Select **Source** [Int](#) | [Ext](#) to recall an instrument state that is stored internally within the instrument non-volatile memory.
- Select **Recall** to choose between the available options: [Last](#), [State 1](#), [State 2](#), [State 3](#), [State 4](#), or [State 5](#).
- Press **Recall** to recall the instrument state from the selected storage location.

### To Recall an Instrument State Stored Externally

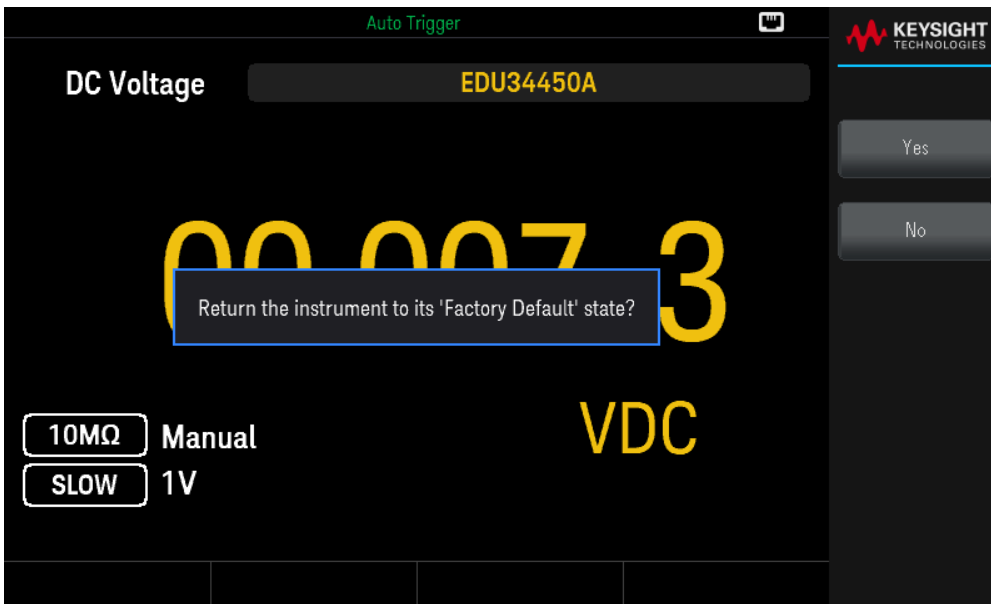
- Select **Source** [Int](#) | [Ext](#) to store the instrument state in a connected external USB device.
- Select **Browse** to browse the directory of the connected external USB device. Use the arrow keys to navigate.
- Press **Recall** to recall the instrument state from the selected storage location.

## Power On Setting

Power On selects the state that is loaded at power-up. This can be either the state when the instrument was powered down with the power switch ([Last](#)) or the factory default state ([Factory Default](#)).



Press Set Power On to confirm your power-on selection ([Last](#) or [Factory Default](#)).



## User Label

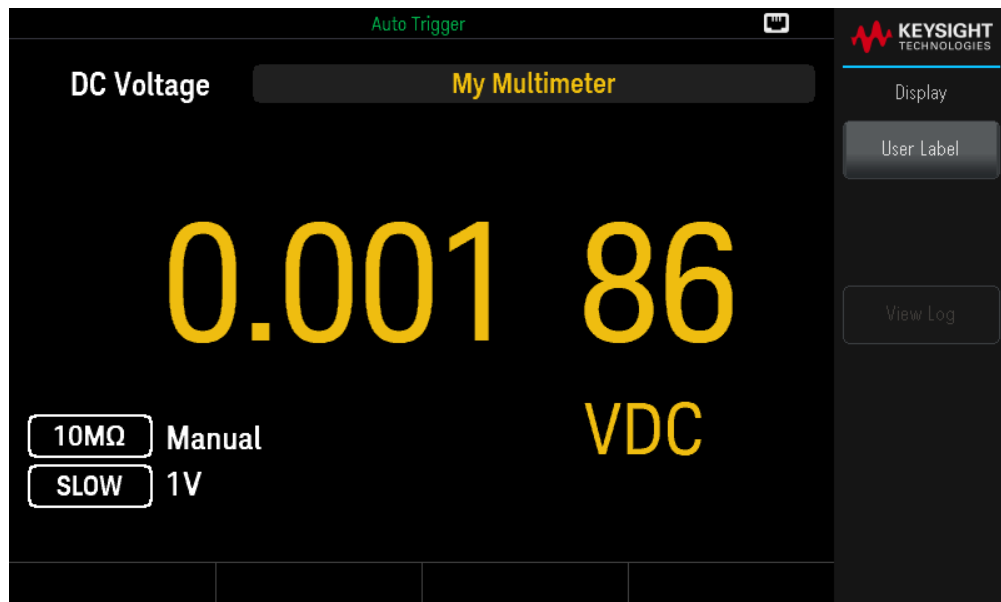
Press [Display] > User Label to change the label shown on the user interface.



The user label is entered as a string using the softkeys provided. The user label may include letters, numbers, and symbols ( \_ - + = # % @ \$ ( ) [ ] { } ~ . ).



Press **Apply** to save your changes.



# 4 Characteristics and Specifications

**NOTE**

For the characteristics and specifications of the EDU34450A 5½ Digit Digital Multimeter, refer to the data sheet at: <https://www.keysight.com/us/en/assets/3121-1002/data-sheets/EDU34450A-5-5-Digit-Dual-Display-Digital-Multimeter.pdf>.

---

# 5 Measurement Tutorial

**DC Measurement Considerations**

**Noise Rejection**

**Measurement Speed Consideration**

**Secondary Measurement Considerations**

**Resistance Measurement Considerations**

**True RMS AC Measurements**

**Other Primary Measurement Functions**

**Other Sources of Measurement Error**

The Keysight EDU34450A 5½ Digital Multimeter is capable of making very accurate measurements. In order to achieve the greatest degree of accuracy, you must take the necessary steps to eliminate potential measurement errors. This chapter describes the common errors found in measurements and gives suggestions on what you can do to avoid these errors.

## DC Measurement Considerations

### Thermal EMF Errors

Thermoelectric voltages are the most common source of error in low-level DC voltage measurements. Thermoelectric voltages are generated when you make circuit connections using dissimilar metals at different temperatures. Each metal-to-metal junction forms a thermocouple, which generates a voltage proportional to the junction temperature. You should take the necessary precautions to minimize thermocouple voltages and temperature variations in low-level voltage measurements. The best connections are formed using copper-to-copper crimped connections, as the instrument's input terminals are a copper alloy. The table below shows common thermoelectric voltages for connections between dissimilar metals.

Copper-to-	Approx. mV / °C
Cadmium-Tin Solder	0.2
Copper	<0.3
Gold	0.5
Silver	0.5
Brass	3
Beryllium Copper	5
Aluminum	5
Tin-Lead Solder	5
Kovar or Alloy 42	40
Silicon	500
Copper-Oxide	1000

### Noise Rejection

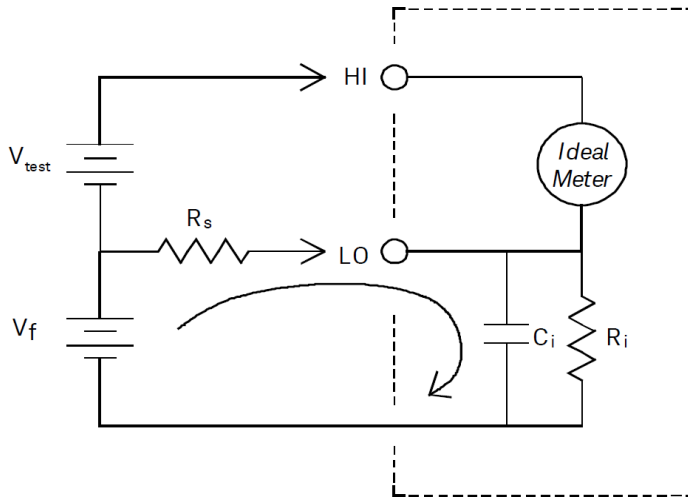
#### Rejecting Power-Line Noise Voltages

A desirable characteristic of integrating analog-to-digital (A/D) converters is their ability to reject power-line related noise present with DC input signals. This is called normal mode noise rejection, or NMR. The instrument achieves NMR by measuring the average DC input by “integrating” it over a fixed period.

#### Common Mode Rejection (CMR)

Ideally, a multimeter is completely isolated from earth-referenced circuits. However, there is finite resistance between the instrument's input LO terminal and earth ground, as shown below. This can cause errors when measuring low voltages which are floating relative to earth ground.

The figure below shows a Common Mode Rejection (CMR) circuit:



$V_f$  = Float Voltage  
 $R_s$  = DUT Source Resistance  
 Imbalance  
 $R_i$  = Multimeter Isolation Resistance  
 (LO-Earth)  
 $C_i$  = Multimeter Input Capacitance:

$$\text{Error (v)} = \frac{V_f \times R_s}{R_s + R_i}$$

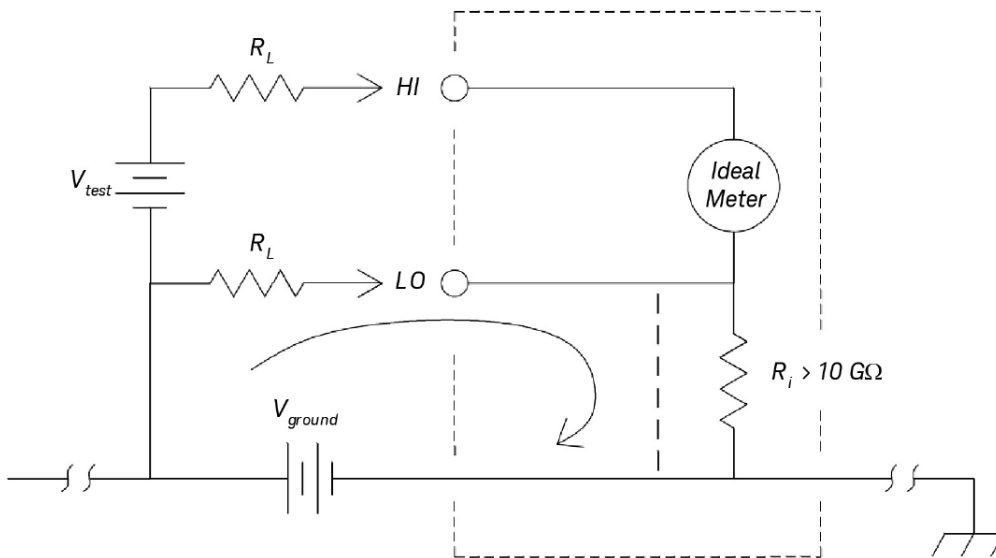
### Noise Caused by Magnetic Loops

If you are making measurements near magnetic fields, take caution to avoid inducing voltages in the measurement connections. You should be especially careful when working near conductors carrying large currents. Use twisted-pair connections to the instrument to reduce the noise pickup loop area, or dress the test leads as close together as possible. Loose or vibrating test leads will also induce error voltages. Tie down test leads securely when operating near magnetic fields. Whenever possible, utilize magnetic shielding materials or increase the distance from magnetic sources.

### Noise Caused by Ground Loops

When measuring voltages in circuits where the instrument and the device-under-test are both referenced to a common earth ground, a ground loop is formed. As shown in figure below any voltage difference between the two ground reference points ( $V_{\text{ground}}$ ) causes a current to flow through the measurement leads. This causes noise and offset voltage (usually power-line related), which are added to the measured voltage.





$R_L = \text{Lead Resistance}$   
 $R_i = \text{Multimeter Isolation Resistance}$   
 $V_{ground} = \text{Voltage Drop on Ground Bus}$

The best way to eliminate ground loops is to isolate the instrument from earth by *not* grounding the input terminals. If the instrument must be earth-referenced, connect it and the device-under-test to the same common ground point. Also connect the instrument and the device-under-test to the same electrical outlet whenever possible.

### Measurement Speed Consideration

There are two methods of integrating the sampled data taken in the measurement, slow/medium (NPLC) and fast (Aperture).

When you set the resolution to slow or medium, you can achieve improved accuracy associated with time averaging, as well as also improve the rejection of power-line interference (normal mode rejection, or NMR).

Aperture is the period, measured in seconds, during which the instrument's analog-to-digital (A/D) converter samples the input signal for a measurement. A longer aperture yields better resolution; a shorter aperture provides faster measurements. For example, the fast mode for DC Voltage measurements set a specific 1 ms measurement period and is not based on power line frequency. No normal mode rejection is provided in aperture mode.

## Secondary Measurement Considerations

The secondary measurements mode allows users to make two measurements in one display. During secondary measurement mode, the display will show two separate measurements and there is a switching delay between both measurements.

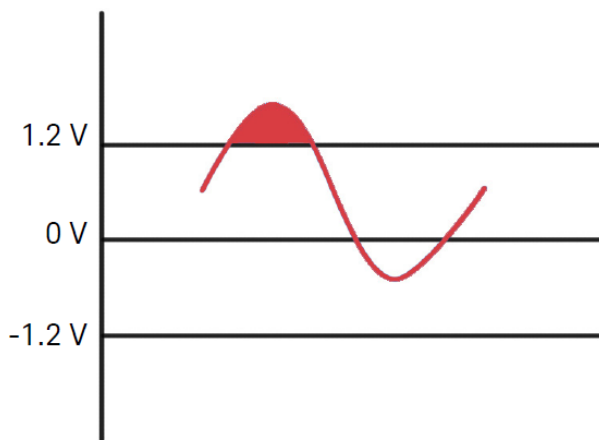
The table below shows some of the applications that can be measured using secondary measurement mode:

Secondary Function Combinations	Application
DCV and ACV	Measure AC signal with DC offset from an amplifier output
	Measure AC ripple noise and DC output voltage from a power supply
DCV and DCI	Measure DC voltage and DC current on a electronic circuit
DCV and ACI	Inverter application
ACV and DCI	Inverter application
ACV and ACI	Measure primary and secondary signal of a transformer circuit
ACV/ACI and Freq	Measure frequency of the line voltage

### DC Voltage Dynamic Range in Secondary Measurement

When measuring DC and AC in dual measurement mode, make sure the DC + AC components do not exceed the instrument's ADC dynamic range. The instrument has a dynamic range of  $\pm 1.2$  V or 120% of full scale for each DCV ranges.

For example, the DC offset of the signal as shown in the figure below causes the input to exceed the upper limit ADC dynamic range. This may cause errors in DC component measurement.



Consider an AC component of 1 Vrms signal with a DC offset of 100 mV. When measuring at DCV 1 V range,  $V_{\text{peak}}$  of the signal is 1.514 V which exceeds the ADC dynamic range of 1.2 V, causing an error in DC measurement.

Select a higher range DCV 10 V range for better accuracy.

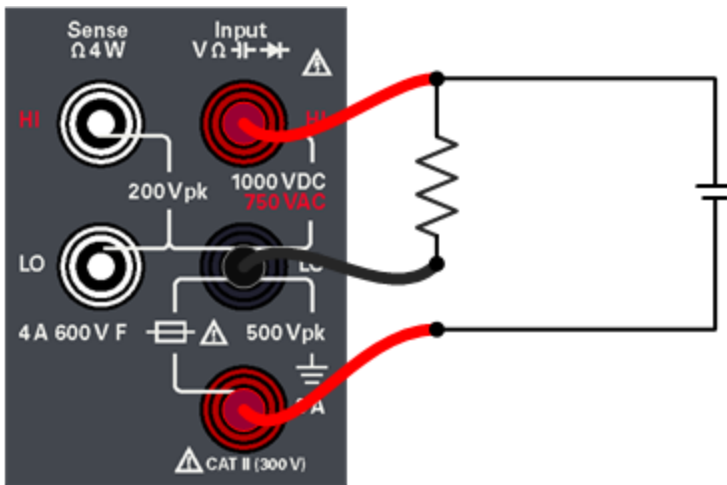
The same error of measurement applies to DCV and ACI dual mode caused by the instrument's series burden voltage.

## Voltage and Current in Dual Measurement

When measuring DC voltage and DC current in dual measurement mode, take into account the resistance of the test lead and internal measuring circuitry. The instrument shares the same common ground both in DC voltage and DC current measurement. When a current flow through the LO terminal, a voltage drop will occur in the circuit and will affect the accuracy of the voltage reading.

Considering the internal resistance and external lead resistance total is 0.0125 ohm. If applying a 1 A DC current, an error of  $(0.0125 \Omega \times 1 \text{ A})$  0.0125 V or 12.5 mV will occur. This error will be relative by range with the ADC dynamic range of 1.2 V.

The figure below shows an example of measuring voltage and current in secondary measurement mode.



The error in measurement will be significant when applying a higher current.

## Resistance Measurement Considerations

When measuring resistance, the test current flows from the input HI terminal through the resistor being measured. The voltage drop across the resistor being measured is sensed internal to the instrument. Therefore, test lead resistance is also measured.

*The errors mentioned earlier in this chapter for DC voltage measurements also apply to resistance measurements. Additional error sources unique to resistance measurements are discussed here.*

## Removing Test Lead Resistance Errors

To eliminate offset errors associated with test lead resistance, refer to **Null**.

## Minimizing Power Dissipation Effects

When measuring resistors designed for temperature measurements (or other resistive devices with large temperature coefficients), be aware that the instrument will dissipate some power in the device-under-test (DUT).

If power dissipation is a problem, you should select the instrument's next higher measurement range to reduce the errors to acceptable levels. The following table shows several examples.

Range	Test Current	DUT Power at Full Scale
100 $\Omega$	1 mA	100 $\mu$ W
1 k $\Omega$	0.5 mA	250 $\mu$ W
10 k $\Omega$	100 $\mu$ A	100 $\mu$ W
100 k $\Omega$	10 $\mu$ A	10 $\mu$ W
1 M $\Omega$	1 $\mu$ A	1 $\mu$ W
10 M $\Omega$	100 nA	100 nW
100 M $\Omega$	100 nA/10 M $\Omega$	1 $\mu$ W

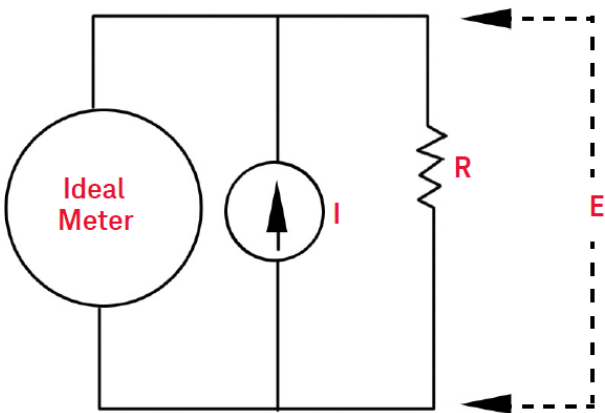
### Errors in High Resistance Measurements

When you are measuring large resistances, significant errors can occur due to resistance insulation and surface cleanliness. You should take the necessary precautions to maintain a “clean” high-resistance system. Test leads and fixtures are susceptible to leakage due to moisture absorption in insulating materials and “dirty” surface films. Nylon and PVC are relatively poor insulators ( $10^9 \Omega$ ) when compared to PTFE insulators ( $10^{13} \Omega$ ).

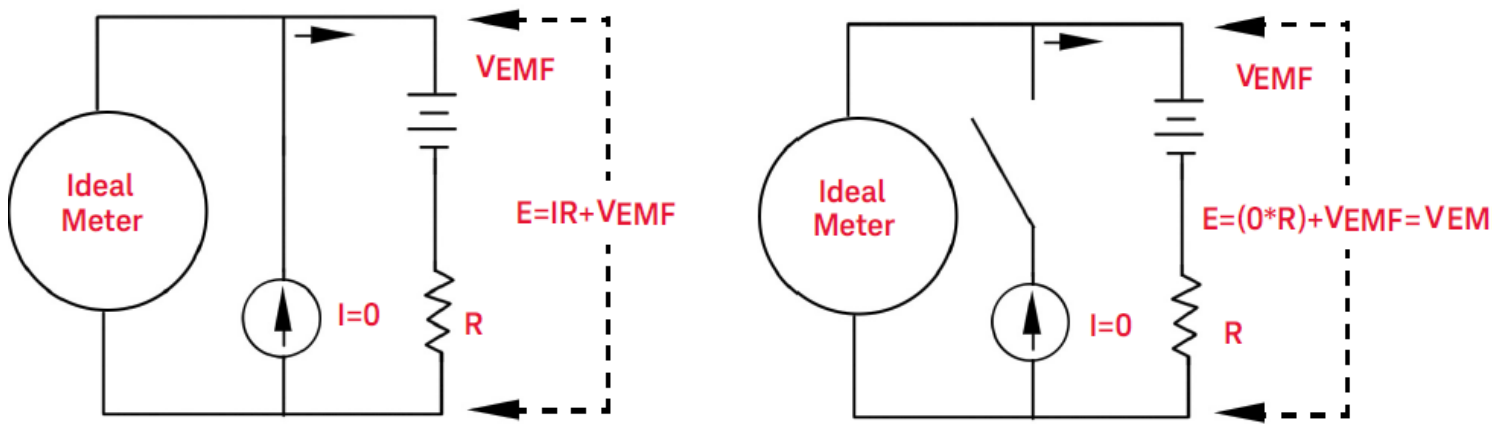
Leakage from nylon or PVC insulators can easily contribute a 0.1% error when measuring a 1 M $\Omega$  resistance in humid conditions.

### Offset Compensation

A resistance measurement involves measuring a voltage (E) induced across the resistance by a known current source.



Thermal EMF caused by dissimilar metals can create a parasitic voltage in the measurement circuit ( $V_{EMF}$ ). The thermal EMF can be caused by the input lead connections or internally in resistor R. In general, this voltage will not change with the current applied to the resistor.



The voltage measured, and so the resistance calculated, is in error by  $V_{EMF}$ . Using offset compensation can reduce the errors caused by  $V_{EMF}$ . To make an offset compensated measurement, the meter makes two voltage measurements, one with the current source on and one with the current source off, and subtracts the two measurements. The actual voltage drop across the resistor, and the calculated resistance are obtained by:

$$\text{First Reading} - \text{Second Reading} = (I * R + V_{EMF}) - V_{EMF} = I * R$$

Offset compensation can be used in 2-Wire or 4-Wire ohms measurements (only available on 100  $\Omega$ , 1 k $\Omega$ , and 10 k $\Omega$ ).

## True RMS AC Measurements

True RMS responding multimeters, like the EDU34450A, measure the “heating” potential of an applied voltage. Power dissipated in a resistor is proportional to the square root of an applied voltage, independent of the waveshape of the signal. This instrument accurately measures true RMS voltage or current, as long as the wave shape contains negligible energy above the instrument’s effective bandwidth. Note that the instrument uses the same techniques to measure true RMS voltage and true RMS current.

Waveform Shape	Crest Factor	AC RMS	AC + DC RMS
	$\sqrt{2}$	$\frac{V}{\sqrt{2}}$	$\frac{V}{\sqrt{2}}$
	$\sqrt{3}$	$\frac{V}{\sqrt{3}}$	$\frac{V}{\sqrt{3}}$
	$\sqrt{\frac{T}{t_p}}$	$\frac{V}{CF} \times \sqrt{1 - \frac{1}{CF^2}}$	$\frac{V}{CF}$
	1	V	V

The instrument's AC voltage and AC current functions measure the AC-coupled true RMS value. In this Keysight instrument, the "heating value" of only the AC components of the input waveform are measured (DC is rejected). As seen in the figure above; for sinewaves, triangle waves, and square waves, the AC-coupled and AC+DC values are equal since these waveforms do not contain a DC offset. However, for non-symmetrical waveforms, such as pulse trains, there is a DC voltage content, which is rejected by Keysight's AC-coupled true rms measurements. This can provide a significant benefit.

An AC-coupled true rms measurement is desirable when you are measuring small AC signals in the presence of large DC offsets. For example, this situation is common when measuring AC ripple present on DC power supplies. There are situations, however, where you might want to know the AC+DC true RMS value. You can determine this value by combining results from DC and AC measurements, as shown below:

$$ac + dc = \sqrt{ac^2 + dc^2}$$

For the best AC noise rejection, you should perform the DC measurement at s-mode.

## True RMS Accuracy and High-Frequency Signal Content

A common misconception is that "since an AC multimeter is true RMS, its sinewave accuracy specifications apply to all waveforms." Actually, the shape of the input signal can dramatically affect measurement accuracy, for any multimeter, especially when that input signal contains high-frequency components which exceed the instrument's bandwidth. Error in RMS measurements arise when there is significant input signal energy at frequencies above the instrument's bandwidth.

## Estimating High-Frequency (Out-of-Band) Error

A common way to describe signal waveshapes is to refer to their "Crest Factor". Crest factor is the ratio of the peak value to RMS value of a waveform. For a pulse train, for example, the crest factor is approximately equal to the square root of the inverse of the duty cycle.

$$CF = \frac{1}{\sqrt{d}} = \frac{1}{\sqrt{\frac{t_p}{T}}} = \frac{1}{\sqrt{prf \times t_p}}$$

Notice that crest factor is a composite parameter, dependent upon the pulse-width and repetition frequency; crest factor alone is not enough to characterize the frequency content of a signal.

Traditionally, digital multimeters include a crest factor derating table that applies at all frequencies. The measurement algorithm used in the EDU34450A is not inherently sensitive to crest factor, so no such derating is necessary. With this instrument, as discussed in the previous section, the focal issue is high-frequency signal content which exceeds the instrument's bandwidth.

For periodic signals, the combination of crest factor and repetition rate can suggest the amount of high-frequency content and associated measurement error. The first zero crossing of a simple pulse occurs at

$$f_1 = \frac{1}{t_p}$$

This gives an immediate impression of the high-frequency content by identifying where this crossing occurs as a function of crest factor:

$$f_1 = CF^2 \cdot prf$$

The table below shows the typical errors for various pulse waveforms as a function of input pulse frequency:

prf	Typical Error for Square Wave, Triangular Wave, and Pulse Trains of CF = 3, 5, or 10				
	Square Wave	Triangle Wave	CF = 3	CF = 5	CF = 10
200	-0.02%	0.00%	-0.04%	-0.09%	-0.34%
1000	-0.07%	0.00%	-0.18%	-0.44%	-1.71%
2000	-0.14%	0.00%	-0.34%	-0.88%	-3.52%
5000	-0.34%	0.00%	-0.84%	-2.29%	-8.34%
10000	-0.68%	0.00%	-1.75%	-4.94%	-26.00%
20000	-1.28%	0.00%	-3.07%	-8.20%	-45.70%
50000	-3.41%	-0.04%	-6.75%	-32.2%	-65.30%
100000	-5.10%	-0.12%	-21.8%	-50.6%	-75.40%

The table above gives an additional error for each waveform, to be added to the value from the accuracy table provided in the *Keysight EDU34450A Datasheet*.

Example: A pulse train with level 1 Vrms, is measured on the 1 V range. It has pulse heights of 3 V (that is, a Crest Factor of 3) and duration 111 μs. The prf can be calculated to be 1000 Hz, as follows:

$$prf = \frac{1}{CF^2 \times t_p}$$

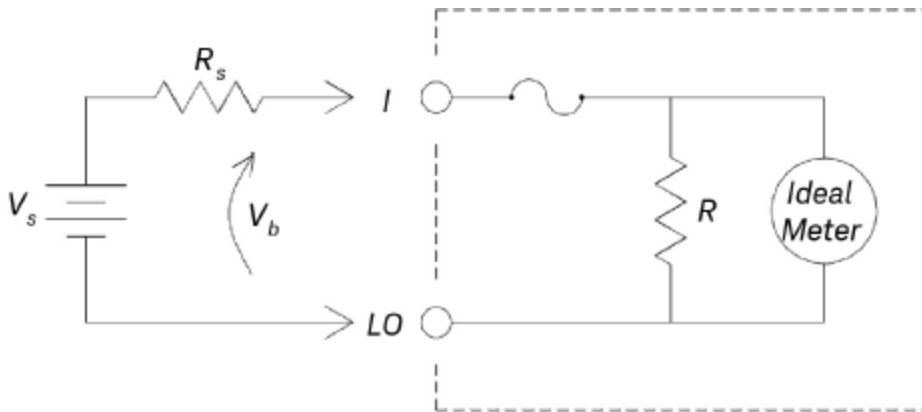
Thus, from the table above, this AC waveform can be measured with 0.18 percent additional error.

## AC Filter

The instrument's AC voltage and AC current functions implement three low-frequency comb filters. These filters allow you to trade-off minimum measured frequency for faster reading speed. The "SLOW" mode filter cut-off at 2 Hz and useful for frequencies above 20 Hz. The "MEDIUM" filter cut-off at 20 Hz and useful for frequencies above 200 Hz. The "FAST" filter cut-off at 200 Hz and useful for frequencies above 1 kHz.

## DC current measurements

When you connect the instrument in series with a test circuit to measure current, a measurement error is introduced. The error is caused by the instrument's series burden voltage. A voltage is developed across the wiring resistance and current shunt resistance of the instrument, as shown below.



$V_s$  = Source Voltage  
 $R_s$  = DUT Source Resistance  
 $V_b$  = Multimeter Burden Voltage  
 $R$  = Multimeter Current Shunt

$$\text{Error (\%)} = \frac{-100\% \times V_b}{V_s}$$

## Other Primary Measurement Functions

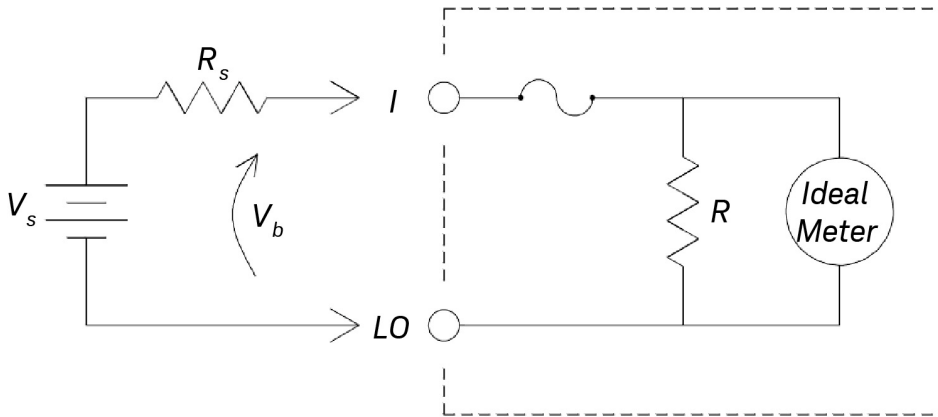
### Frequency Measurement Errors

The instrument uses a reciprocal counting technique to measure frequency. This method generates constant measurement resolution for any input frequency. All frequency counters are susceptible to errors when measuring low-voltage, low-frequency signals. The effects of both internal noise and external noise pickup are critical when measuring "slow" signals. The error is inversely proportional to frequency. Measurement errors also occur if you attempt to measure the frequency of an input following a DC offset voltage change. You must allow the instrument's input to fully settle before making frequency measurements.



## DC Current Measurements

When you connect the instrument in series with a test circuit to measure current, a measurement error is introduced. The error is caused by the instrument's series burden voltage. A voltage is developed across the wiring resistance and current shunt resistance of the instrument, as shown below.



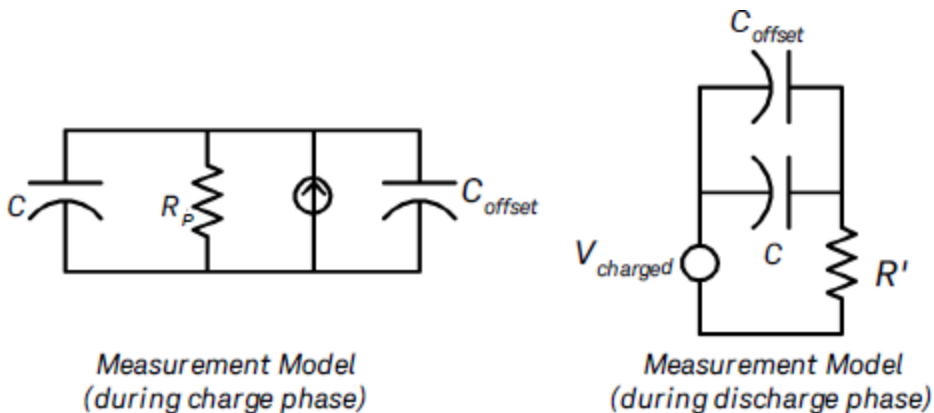
$V_s$  = Source Voltage  
 $R_s$  = DUT Source Resistance  
 $V_b$  = Multimeter Burden Voltage  
 $R$  = Multimeter Current Shunt

$$\text{Error (\%)} = \frac{-100\% \times V_b}{V_s}$$

If you apply more than 1 A during current measurement, self-heating occurs in the instrument record's 3 A shunt resistor and internal signal-conditioning component. Do allow few minutes stabling time for better accuracy for current measurement. After applying more than 1 A current measurement, do allow a few minutes for heat dissipation to ensure better accuracy for other measurement.

## Capacitance Measurements

The instrument implements capacitance measurements by applying a known current to the capacitor as shown below:



Capacitance is calculated by measuring the change in voltage ( $\Delta V$ ) that occurs over a “short aperture” time, ( $\Delta t$ ). The measurement cycle consists of two parts: a charge phase and a discharge phase.

The change in voltage ( $\Delta V$ ) and “short aperture” time ( $\Delta t$ ), vary by range, in order to minimize noise and increase reading accuracy. The following table lists the current source and reading rate at full scale during the measurement.

Range	Current Source	Reading Rate at Full Scale
1 nF	100 nA	1.0/second
10 nF	100 nA	0.5/second
100 nF	1 $\mu$ A	1.5/second
1 $\mu$ F	1 $\mu$ A	0.25/second
10 $\mu$ F	10 $\mu$ A	0.25/second
100 $\mu$ F	100 $\mu$ A	0.25/second
1 mF	500 $\mu$ A	0.25/second
10 mF	1 mA	0.15/second

The values of capacitance and loss resistance measured with the instrument may differ from the values measured using an LCR meter. This is to be expected, since this is essentially a DC measurement method, while LCR measurement uses applied frequencies anywhere from 100 Hz to 100 kHz. In most cases, neither method measures the capacitor at its exact frequency of application.

For the best accuracy, take a zero null measurement with open probes, to null out the test lead capacitance, before connecting the probes across the capacitor to be measured.

## Temperature Measurements

The instrument measures temperature by measuring the temperature sensitive resistance of 5 k $\Omega$  thermistors.

Thermistors consist of semiconductor materials and provide roughly 10 times the sensitivity of an RTD. Because they are semiconductors, their temperature range is more limited, commonly to  $-80\text{ }^{\circ}\text{C}$  to  $150\text{ }^{\circ}\text{C}$ . Thermistors have highly non-linear, temperature-resistance relationships; therefore their conversion algorithms are more complex. Keysight instruments use the standard Hart-Steinhart Approximation to provide accurate conversions.

## Other Sources of Measurement Error

### Loading Errors (AC Volts)

In the AC voltage function, the input of the instrument appears as a (at least) 1.1 M $\Omega$  resistance in parallel with <100 pF of capacitance. The cabling that you use to connect signals to the instrument also adds capacitance and loading.

For low frequencies, the loading error is:

$$\text{Error (\%)} = \frac{-100 \times R_s}{R_s + 1.1 \text{ M}\Omega}$$

At high frequencies, the additional loading error is:

$$\text{Error (\%)} = 100 \times \left[ \frac{1}{\sqrt{1 + (2\pi \times F \times R_s \times C_{in})^2}} - 1 \right]$$

$R_s$  = Source Resistance

$F$  = Input Frequency

$C_{in}$  = Input Capacitance (100 pF) Plus Cable Capacitance

## Measurements Below Full Scale

You can make the most accurate AC measurements when the instrument is at or near the full scale of the selected range. Autoranging occurs at 10% (down-range) and 120% (up-range) of full scale. This enables you to measure some inputs at full scale on one range and 10% of full scale on the next higher range. In general, the accuracy is better on the lower range; for the highest accuracy, select the lowest manual range possible for the measurement.

## High-Voltage Self-Heating Errors

If you apply more than 300 Vrms, self-heating occurs in the instrument's internal signal-conditioning components. These errors are included in the instrument's specifications.

Temperature changes inside the instrument due to self-heating may cause additional error on other AC voltage ranges.

## AC Current Measurement Errors (Burden Voltage)

Burden voltage errors, which apply to DC current, also apply to AC current measurements. However, the burden voltage for AC current is larger due to the instrument's series inductance and your measurement connections. The burden voltage increases as the input frequency increases. Some circuits may oscillate when performing current measurements due to the instrument's series inductance and your measurement connections.

## Low-Level Measurement Errors

When measuring AC voltages less than 100 mV, be aware that these measurements are especially susceptible to errors introduced by extraneous noise sources. An exposed test lead acts as an antenna and a properly functioning multimeter will measure the signals received. The entire measurement path, including the power line, acts as a loop antenna. Circulating currents in the loop create error voltages across any impedances in series with the instrument's input. For this reason, you should apply low-level AC voltages to the instrument through shielded cables. You should connect the shield to the input LO terminal.

Make sure the instrument and the AC source are connected to the same electrical outlet whenever possible. You should also minimize the area of any ground loops that cannot be avoided. A high-impedance source is more susceptible to noise pickup than a low-impedance source. You can reduce the high-frequency impedance of a source by placing a capacitor in parallel with the instrument's input terminals. You may have to experiment to determine the correct capacitor value for your application.

Most extraneous noise is not correlated with the input signal. You can determine the error as shown below.

$$\text{Voltage Measured} = \sqrt{V_{in}^2 + \text{Noise}^2}$$

Correlated noise, while rare, is especially detrimental. Correlated noise always adds directly to the input signal. Measuring a low-level signal with the same frequency as the local power line is a common situation that is prone to this error.

### Pulse Measurement Error

You can use the DC measurement function to measure a pulse signal and obtain its relevant average measurement quickly. The formula of the equivalent DC average of a pulse signal is provided below.

$$\frac{1}{T} \int_T f(x) dx$$

where  $f(x)$  is the function representing the signal waveform over a period of  $T$ .

Errors may occur when the pulse signal is measured at low voltage range due to saturation of the instrument's analog-to-digital (ADC) rail voltage.



This information is subject to change without notice.

© Keysight Technologies 2021, 2022  
Edition 3, November 2022

Printed in Malaysia



EDU34450-90002

[www.keysight.com](http://www.keysight.com)

---

# Multimètre numérique EDU34450A

## 5½ chiffres

<b>Avertissements</b> .....	<b>5</b>
<b>Avis de copyright</b> .....	<b>5</b>
<b>Référence du manuel</b> .....	<b>5</b>
<b>Édition</b> .....	<b>5</b>
<b>Publié par</b> .....	<b>5</b>
<b>Garantie</b> .....	<b>5</b>
<b>Licences technologiques</b> .....	<b>5</b>
<b>Droits du Gouvernement des États-Unis</b> .....	<b>6</b>
<b>Licences tierces</b> .....	<b>6</b>
<b>Déchets d'équipements électriques et électroniques (DEEE)</b> .....	<b>6</b>
<b>Certificats de conformité</b> .....	<b>7</b>
<b>Informations relatives à la sécurité</b> .....	<b>7</b>
<b>Informations relatives à la sécurité et à la réglementation</b> .....	<b>8</b>
<b>Consignes de sécurité</b> .....	<b>8</b>
<b>Limites de protection</b> .....	<b>12</b>
<b>Limites de protection de la borne d'entrée</b> .....	<b>13</b>
<b>Limites de protection de la borne de détection</b> .....	<b>13</b>
<b>Protection contre la surtension de la norme CEI, catégorie de mesure II</b> .....	<b>13</b>
<b>Symboles de sécurité</b> .....	<b>14</b>
<b>Mentions réglementaires</b> .....	<b>15</b>
<b>Déclaration sud-coréenne de CEM de classe A :</b> .....	<b>15</b>
<b>Exigences de sécurité et de CEM</b> .....	<b>16</b>
<b>Conditions d'environnement</b> .....	<b>16</b>
<b>1 Présentation de l'instrument</b> .....	<b>17</b>
<b>Présentation succincte de l'instrument</b> .....	<b>18</b>
<b>Présentation succincte du panneau avant</b> .....	<b>18</b>
<b>Présentation succincte de l'écran du panneau avant</b> .....	<b>19</b>
<b>Témoins d'état de l'instrument</b> .....	<b>20</b>
<b>Présentation succincte des boutons du panneau avant</b> .....	<b>21</b>
<b>Navigation sur le panneau avant</b> .....	<b>22</b>
<b>Présentation succincte du panneau arrière</b> .....	<b>22</b>
<b>Informations relatives aux fusibles</b> .....	<b>24</b>
<b>Remplacement du fusible d'entrée en courant</b> .....	<b>24</b>
<b>Remplacement du fusible secteur</b> .....	<b>26</b>
<b>Dimensions de l'instrument</b> .....	<b>28</b>
<b>2 Mise en route</b> .....	<b>29</b>
<b>Préparer l'instrument pour l'utilisation</b> .....	<b>30</b>
<b>Révisions de la documentation et du micrologiciel</b> .....	<b>30</b>
<b>Intervalle d'étalonnage recommandé</b> .....	<b>30</b>
<b>Paramétrer l'instrument</b> .....	<b>30</b>
<b>Réaliser des mesures</b> .....	<b>31</b>
<b>Mesure d'une tension continue</b> .....	<b>31</b>
<b>Mesure d'une tension alternative (RMS)</b> .....	<b>32</b>
<b>Mesure d'une résistance 2 fils</b> .....	<b>34</b>
<b>Mesure d'une résistance 4 fils</b> .....	<b>35</b>
<b>Mesure du courant continu</b> .....	<b>37</b>
<b>Mesure du courant alternatif</b> .....	<b>38</b>
<b>Mesure de la fréquence pour la tension</b> .....	<b>39</b>
<b>Mesure de fréquence pour le courant</b> .....	<b>41</b>
<b>Test de la continuité</b> .....	<b>43</b>

Test des diodes .....	44
Mesure de la température .....	45
Mesure de capacité .....	47
<b>Sélectionner une plage .....</b>	<b>48</b>
<b>Utiliser le système d'aide intégré .....</b>	<b>48</b>
Afficher l'aide relative à une touche de fonction ou à un bouton .....	48
<b>Connexions de l'interface de commande à distance .....</b>	<b>49</b>
Se connecter à l'instrument par USB .....	49
Se connecter à l'instrument par LAN (de site et privé) .....	50
<b>Configuration de l'interface de commande à distance .....</b>	<b>52</b>
Keysight IO Libraries Suite .....	52
Configuration LAN .....	52
Services de socket SCPI .....	61
En savoir plus sur les adresses IP et leur notation .....	61
<b>Commande à distance .....</b>	<b>61</b>
Interface Web .....	61
Détails techniques de la connexion .....	63
<b>3 Fonctions et caractéristiques .....</b>	<b>64</b>
<b>Affichage secondaire .....</b>	<b>65</b>
Exemples de fonctionnement en double affichage .....	66
<b>Opérations mathématiques .....</b>	<b>68</b>
Null .....	68
Échelle .....	70
Limites .....	73
Statistiques .....	75
<b>Acquérir .....</b>	<b>75</b>
Continu .....	75
Enregistrement de données .....	77
<b>Probe Hold .....</b>	<b>83</b>
<b>Exécuter/Arrêter .....</b>	<b>84</b>
<b>Menu des utilitaires .....</b>	<b>85</b>
Menu Config. d'E/S .....	86
Menu Configuration de l'instrument .....	86
Menu Paramètres de l'utilisateur .....	88
Menu Aide .....	89
<b>Enregistrer/Rappeler .....</b>	<b>91</b>
<b>Étiquette d'utilisateur .....</b>	<b>97</b>
<b>4 Caractéristiques et spécifications .....</b>	<b>99</b>
<b>5 Didacticiel pour la réalisation de mesures .....</b>	<b>100</b>
<b>Considérations relatives aux mesures de courant continu .....</b>	<b>101</b>
<b>Réjection du bruit .....</b>	<b>101</b>
Rejet des tensions bruyantes dans les lignes électriques .....	101
Réjection de mode commun (RMC) .....	101
Bruit causé par des boucles magnétiques .....	102
Bruit provoqué par les boucles de masse .....	102
<b>Considérations relatives à la vitesse de mesure .....</b>	<b>103</b>
<b>Considérations relatives aux mesures secondaires .....</b>	<b>104</b>
Plage dynamique de tension continue dans la mesure secondaire .....	104
Mesure double de tension et de courant .....	105
<b>Considérations relatives aux mesures de résistance .....</b>	<b>105</b>



---

Élimination des erreurs liées à la résistance des cordons de test .....	105
Réduction des effets de dissipation de la puissance .....	105
Erreurs rencontrées dans les mesures de haute résistance .....	106
Compensation de décalage .....	106
<b>Mesures de courant alternatif en valeur efficace vraie .....</b>	<b>107</b>
Précision de la valeur efficace vraie et contenu du signal haute fréquence .....	108
Estimation de l'erreur haute fréquence (hors bande) .....	108
Filtre CA .....	110
<b>Autres fonctions de mesure principales .....</b>	<b>110</b>
Erreurs de mesure de fréquence .....	110
Mesure du courant alternatif .....	111
Mesures de capacité .....	111
Mesures de température .....	112
<b>Autres origines d'erreur de mesure .....</b>	<b>112</b>
Erreurs de chargement (tension alternative) .....	112
Mesure en dessous de la pleine échelle .....	114
Erreurs liées à l'auto-échauffement dû à une haute tension .....	114
Erreurs de mesure du courant alternatif (chute de tension) .....	114
Erreurs de mesure à bas niveau .....	114
Erreur de mesure d'impulsion .....	115

# Avertissements

## Avis de copyright

© Keysight Technologies 2021, 2022

Conformément aux lois internationales et des États-Unis relatives à la propriété intellectuelle, la reproduction, le stockage électronique et la traduction de ce manuel, même partiels, sous quelque forme et par quelque moyen que ce soit, sont interdits, sauf consentement écrit préalable de la société Keysight Technologies.

## Référence du manuel

EDU34450-90003

## Édition

Édition 3, novembre 2022

## Publié par

Keysight Technologies  
Bayan Lepas Free Industrial Zone  
11900 Bayan Lepas, Penang  
Malaisie

## Garantie

LES INFORMATIONS CONTENUES DANS CE DOCUMENT SONT FOURNIES EN L'ETAT ET POURRONT FAIRE L'OBJET DE MODIFICATIONS SANS PREAVIS DANS LES EDITIONS ULTÉRIEURES. DANS LES LIMITES DE LA LÉGISLATION EN VIGUEUR, KEYSIGHT EXCLUT EN OUTRE TOUTE GARANTIE, EXPRESSE OU IMPLICITE, CONCERNANT CE MANUEL ET LES INFORMATIONS QU'IL CONTIENT, Y COMPRIS, MAIS NON EXCLUSIVEMENT, LES GARANTIES IMPLICITES DE QUALITÉ MARCHANDE ET D'ADÉQUATION À UN USAGE PARTICULIER. KEYSIGHT NE SAURAIT EN AUCUN CAS ETRE TENUE RESPONSABLE DES ERREURS OU DES DOMMAGES ACCESSOIRES OU INDIRECTS LIES À LA FOURNITURE, A L'UTILISATION OU A L'EXACTITUDE DES INFORMATIONS CONTENUES DANS CE DOCUMENT OU AUX PERFORMANCES DE TOUT PRODUIT AUQUEL IL SE RAPPORTE. SI KEYSIGHT ET L'UTILISATEUR SONT LIES PAR UN CONTRAT ECRIT SEPARÉ DONT LES CONDITIONS DE GARANTIE CONCERNANT CE DOCUMENT SONT EN CONFLIT AVEC LES PRÉSENTES CONDITIONS, LES CONDITIONS DE LA GARANTIE DU CONTRAT SEPARÉ PRÉVALENT.

## Licences technologiques

Le matériel et les logiciels décrits dans ce document sont protégés par un accord de licence et leur utilisation ou reproduction est soumise aux termes et conditions de ladite licence.

## Droits du Gouvernement des États-Unis

Le Logiciel est un « logiciel informatique commercial » tel que défini par la Federal Acquisition Regulation (« FAR ») 2.101. Conformément aux FAR 12.212 et 27.405-3 et à l'addenda FAR du Ministère de la défense (« DFARS ») 227.7202, le gouvernement des États-Unis acquiert des logiciels informatiques commerciaux dans les mêmes conditions que celles dans lesquelles les logiciels sont habituellement fournis au public. De ce fait, Keysight fournit le Logiciel aux clients du gouvernement des États-Unis sous la licence commerciale standard, incluse dans son contrat de licence d'utilisateur final (EULA). Vous trouverez une copie de ce contrat sur le site <http://www.keysight.com/find/sweula>. La licence mentionnée dans l'EULA représente l'autorité exclusive par laquelle le gouvernement des États-Unis est autorisé à utiliser, modifier, distribuer ou divulguer le Logiciel. L'EULA et la licence mentionnées dans les présentes n'imposent ni n'autorisent, entre autres, que Keysight : (1) fournisse des informations techniques relatives au logiciel informatique commercial ni à la documentation du logiciel informatique commercial non habituellement fournies au public ; ou (2) abandonne, ou fournisse, des droits gouvernementaux dépassant les droits habituellement fournis au public pour utiliser, reproduire, communiquer, exécuter, afficher ou divulguer le logiciel informatique commercial ou la documentation du logiciel informatique commercial. Aucune exigence gouvernementale autre que celle établie dans l'EULA ne s'applique, sauf dans la mesure où ces conditions, droits ou licences sont explicitement requis de la part de tous les prestataires de logiciels commerciaux conformément à la FAR et au DFARS et sont spécifiquement établis par écrit ailleurs dans l'EULA. Keysight n'est en aucun cas tenu de mettre à jour, de réviser ou de modifier de quelque façon que ce soit le Logiciel. En ce qui concerne toutes les données techniques telles que définies par la FAR 2.101, conformément aux FAR 12.211 et 27.404.2 et au DFARS 227.7102, le gouvernement des États-Unis acquiert des droits n'excédant pas les Droits limités tels que définis dans la FAR 27.401 ou le DFARS 227.7103-5 (c), applicables dans toutes les données techniques.

## Licences tierces

Certaines parties de ce logiciel sont concédées sous licence par des tiers, y compris les conditions générales Open Source. Dans la mesure où ces licences exigent que Keysight mette le code source à disposition, nous le ferons gratuitement. Pour plus d'informations, veuillez contacter l'assistance Keysight, à l'adresse <https://www.keysight.com/find/assist>.

## Déchets d'équipements électriques et électroniques (DEEE)

Ce produit est conforme aux exigences de marquage de la directive DEEE. L'étiquette collée sur le produit (voir ci-dessous) indique que vous ne devez pas jeter cet appareil électrique/électronique avec les ordures ménagères.

Catégorie du produit : par référence aux types d'équipements décrits dans l'annexe 1 de la directive WEEE, ce produit est classé comme un produit "d'instrumentation de surveillance et de contrôle". Ne le jetez pas avec les ordures ménagères.

Pour retourner vos produits usagés, contactez votre revendeur Keysight le plus proche ou visitez

[about.keysight.com/en/companyinfo/environment/takeback.shtml](http://about.keysight.com/en/companyinfo/environment/takeback.shtml) pour de plus amples informations.



## Certificats de conformité

Il est possible de télécharger la Déclaration de conformité pour ces produits et d'autres produits Keysight sur le Web. Consultez <https://regulations.about.keysight.com/DoC/default.htm>. Vous pouvez ensuite effectuer une recherche par numéro de produit pour trouver la dernière déclaration de conformité.

## Informations relatives à la sécurité

### MISE EN GARDE

La mention ATTENTION signale un danger pour le matériel. Si la manœuvre ou la procédure correspondante n'est pas exécutée correctement, il peut y avoir un risque d'endommagement de l'appareil ou de perte de données importantes. En présence de la mention ATTENTION, il convient de ne pas poursuivre tant que les conditions indiquées n'ont pas été parfaitement comprises et remplies.

---

### AVERTISSEMENT

La mention AVERTISSEMENT signale un danger pour la sécurité de l'opérateur. Si la manœuvre ou la procédure correspondante n'est pas exécutée correctement, il peut y avoir un risque grave, voire mortel pour les personnes. En présence de la mention AVERTISSEMENT, il convient de ne pas poursuivre tant que les conditions indiquées n'ont pas été parfaitement comprises et respectées.

---

## Informations relatives à la sécurité et à la réglementation

### Consignes de sécurité

Les consignes de sécurité présentées dans cette section doivent être appliquées dans toutes les phases de l'utilisation, de l'entretien et de la réparation de cet équipement. Le non-respect de ces précautions ou des avertissements spécifiques mentionnés dans ce manuel constitue une violation des normes de sécurité établies lors de la conception, de la fabrication et de l'usage normal de l'instrument. Keysight Technologies ne saurait être tenu responsable du non-respect de ces consignes.

**AVERTISSEMENT****AVANT LA MISE SOUS TENSION**

- Vérifiez que le bon fusible est installé.
- Vérifiez que les fluctuations de la tension d'alimentation ne dépassent pas  $\pm 10\%$  de la tension d'alimentation nominale.

---

**MISE À LA TERRE DE L'INSTRUMENT**

Ce produit est un instrument de mesure de la catégorie de sécurité I (il comporte une borne de terre de protection). Afin de minimiser les risques d'électrocution, son châssis et son armoire doivent être reliés à une prise de terre. L'instrument doit être relié à une source de courant alternatif par l'intermédiaire d'un cordon d'alimentation à trois conducteurs dont le troisième fil est connecté solidement à une prise de terre (prise de terre de sécurité) au niveau de la prise de courant. Toute interruption du conducteur de protection (mise à la terre) ou tout débranchement de la borne de terre de protection entraîne un risque d'électrocution pouvant provoquer des accidents graves. Si l'instrument doit être alimenté via un autotransformateur externe pour réduire la tension, assurez-vous que la borne commune de l'autotransformateur est connectée au neutre (borne mise à la terre) des lignes électriques (alimentation secteur).

---

**NE L'UTILISEZ PAS DANS UNE ATMOSPHÈRE EXPLOSIVE OU DES ENVIRONNEMENTS HUMIDES**  
N'utilisez pas l'appareil dans des environnements avec des gaz ou des fumées inflammables, de la vapeur ou des environnements humides.

---

**NE FAITES PAS FONCTIONNER DES INSTRUMENTS ENDOMMAGÉS OU DÉFECTUEUX**

Les instruments endommagés ou défectueux doivent être désactivés et protégés contre toute utilisation involontaire jusqu'à ce qu'ils aient été réparés par une personne qualifiée.

---

**NE REMPLACEZ JAMAIS DE COMPOSANTS ET N'APPORTEZ AUCUNE MODIFICATION À L'INSTRUMENT.**

En raison des risques éventuels supplémentaires, ne remplacez pas de composants et n'apportez aucune modification non autorisée à l'instrument. Pour tout entretien ou réparation, renvoyez le produit à un bureau de ventes et de service après-vente Keysight Technologies. Ainsi, l'intégrité des fonctions de sécurité sera maintenue. Pour contacter Keysight afin d'obtenir un support technique et commercial, consultez les liens d'assistance sur le site Web Keysight suivant : [www.keysight.com/find/assist](http://www.keysight.com/find/assist) (informations de contact dans le monde entier pour les réparations et le support).

---

**UTILISER LE CORDON D'ALIMENTATION FOURNI**

Utilisez l'appareil avec les cordons d'alimentation fournis avec la livraison.

---

**UTILISER L'APPAREIL COMME INDIQUÉ**

Si l'appareil est utilisé d'une manière non préconisée par le fabricant, il se peut que la protection de l'appareil ne soit plus efficace.

---

**NORME CEI, CATÉGORIE DE MESURE II**

Les bornes d'entrée HI et LO peuvent être connectées au secteur dans les installations CEI de catégorie II pour des tensions de ligne allant jusqu'à 300 VCArms. Pour éviter tout risque de choc électrique, ne branchez pas les entrées sur le secteur pour des tensions de ligne supérieures à 300 VCArms. Consultez « Protection contre les surtensions de la norme CEI, catégorie de mesure II » sur la page suivante pour plus d'informations.

---

**OBSERVEZ TOUTES LES MARQUES SUR L'APPAREIL AVANT DE LE CONNECTER À UN APPAREIL**

Observez tous les marquages portés par l'appareil avant de le brancher.

---

#### FUSIBLES DE PROTECTION DE LIGNE ET DE COURANT

Pour une protection optimale contre les incendies, remplacez le fusible de ligne et le fusible de protection de courant uniquement par un fusible du type et de la capacité spécifiés.

---

#### VÉRIFIEZ QUE LE CAPOT EST BIEN EN PLACE

Ne faites pas fonctionner l'appareil avec son capot démonté ou détaché. Il est recommandé de ne faire appel qu'à du personnel qualifié, formé à la maintenance pour retirer le capot de l'instrument.

---

#### LIMITES DE PROTECTION

Pour éviter d'endommager l'instrument et tout risque de choc électrique, ne dépassez pas les limites de protection définies dans la section suivante.

---

#### ASSUREZ-VOUS QUE LE CORDON DE TEST EST UTILISÉ COMME SPÉCIFIÉ

Si les cordons de test sont utilisés d'une manière non recommandée par Keysight Technologies, la protection assurée par ces cordons peut être inhibée. N'utilisez pas non plus un cordon de test s'il est endommagé ou usé. Vous pourriez endommager l'instrument ou vous blesser.

---

#### MESURER DES TENSIONS SUPÉRIEURES À 30 VRMS, 42 VPK OU 60 VCC

La mesure de tensions supérieures à 30 Vrms, 42 Vpk ou 60 Vcc est toujours dangereuse. TOUTES les bornes du multimètre doivent être considérées comme dangereuses dès que les entrées supérieures à 30 Vrms, 42 Vpk ou 60 Vcc sont connectées à une borne d'entrée QUELCONQUE. Considérez que toutes les bornes sont du même potentiel que la tension la plus élevée appliquée à une borne quelconque.

---

#### CÂBLE D'ALIMENTATION CA

La dépose du câble d'alimentation est la méthode de déconnexion utilisée pour couper l'alimentation de l'instrument. Assurez-vous que l'accès au câble d'alimentation est adéquat afin de permettre la déconnexion de l'alimentation secteur. Utilisez uniquement le câble d'alimentation défini par Keysight pour le pays d'utilisation ou un câble de performances équivalentes.

---

#### NE DÉPASSEZ PAS LA LIMITE DE MESURE

Ne dépassez aucune des limites de mesure définies dans les spécifications afin d'éviter un endommagement de l'instrument et un risque d'électrocution.

---

#### FONCTIONNEMENT EN MODE À DISTANCE

En mode de fonctionnement à distance, les mesures seront déclenchées par un ordinateur distant et ne seront pas continuellement mises à jour sur l'écran de l'instrument. Référez-vous toujours à l'ordinateur à distance pour la mesure réelle.

---

**NETTOYEZ AVEC UN CHIFFON LÉGÈREMENT HUMIDE**

Nettoyez les parties externes de l'instrument à l'aide d'un chiffon doux non pelucheux légèrement humidifié. N'utilisez pas de détergent, de liquides volatiles ou de solvants chimiques.

---

**PRÉSENCE DE BRUIT ET CHAMPS ÉLECTROMAGNÉTIQUES (EM) AMBIANTS**

Certaines fonctionnalités peuvent se dégrader en présence de champs électromagnétiques ambiants et de bruit associé à la ligne électrique ou aux câbles d'E/S de l'instrument. L'instrument s'auto-rétablit et toutes les fonctionnalités sont opérationnelles lorsque la source du champ électromagnétique ambiant et la source de bruit sont supprimées, ou lorsque l'instrument est protégé du champ électromagnétique ambiant, ou encore lorsque le câblage de l'instrument est protégé contre le bruit électromagnétique ambiant.

---

**ATTENTION EN CAS DE TRAVAIL AVEC DES TENSIONS SUPÉRIEURES À 30 VRMS, 42 VPK OU 60 VCC**  
Soyez prudent lors du travail avec des tensions supérieures à 30 Vrms, 42 Vpk ou 60 Vcc. Ces tensions présentent un risque d'électrocution.

---

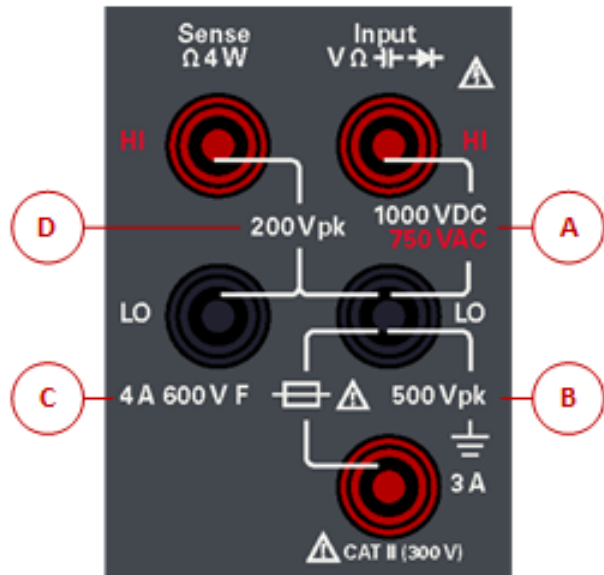
**ATTENTION LORS DE LA CONNEXION DE CORDONS OUVERTS AUX BORNES DE DÉTECTION HI ET LO**  
Lorsqu'elles ne sont pas utilisées, les bornes de détection HI et LO ne seront pas connectées. Ne connectez pas de cordons ouverts à ces bornes ou débranchez ces bornes avec un dispositif externe.

---



## Limites de protection

Le multimètre numérique Keysight EDU34450A à 5½ chiffres est équipé de circuits de protection pour éviter que l'appareil ne soit endommagé et pour vous protéger contre les risques de choc électrique, sous réserve que les limites de protection ne soient pas dépassées. Pour garantir le fonctionnement de l'appareil en toute sécurité, ne dépassez pas les limites de protection définies sur le panneau avant, comme illustré ci-dessous :



## Limites de protection de la borne d'entrée

Les limites de protection sont définies pour les bornes d'entrée :

**Bornes d'entrée principales (HI et LO).** Les bornes d'entrée HI et LO sont utilisées pour des mesures de tension, résistance, capacité et le test de diodes. Deux limites de protection sont définies pour ces bornes :

- **Limite de protection HI à LO.** La limite de protection de HI à LO (« A » sur la figure ci-dessus) est 1 000 VCC ou 750 VCA, qui est également la mesure de tension maximale. Cette limite peut également être exprimée comme 1 000 Vpk maximum.
- **Limite de protection LO à la terre.** La borne d'entrée LO peut « flotter » en toute sécurité à un maximum de 500 Vpk par rapport à la terre. Il s'agit de la limite de protection « B » sur la figure ci-dessus.

Bien que cela ne soit pas illustré sur la figure, la limite de protection pour la borne HI est un maximum de 1 000 Vpk par rapport à la terre. Par conséquent, la somme de la tension « flottante » et de la tension mesurée ne doit pas dépasser 1 000 Vpk.

**Borne d'entrée de courant.** La borne d'entrée de courant (« I ») a une limite de protection de 3 A (rms) de courant maximum circulant depuis la borne d'entrée LO. Il s'agit de la limite de protection « C » sur la figure ci-dessus. Il convient de noter que la borne d'entrée de courant sera approximativement à la même tension que la borne LO.

**REMARQUE** Les circuits de protection de courant comprennent un fusible sur le panneau avant. Pour garantir la protection, remplacer absolument ce fusible par un fusible du type et du calibre spécifiés.

---

## Limites de protection de la borne de détection

Les bornes de détection HI et LO ne sont utilisées que pour les mesures de résistance à 4 fils («  $\Omega$  4W »). La limite de protection est de 200 Vpk pour tous les appariements de bornes (« D » sur la figure ci-dessus) :

- Détection LO à entrée LO.
- Détection HI à entrée LO.
- Détection HI à détection LO.

**REMARQUE** La limite de 200 Vpk sur les bornes de détection est la limite de protection. Les tensions opérationnelles des mesures de résistance sont bien inférieures, moins de 5 V en fonctionnement normal.

---

## Protection contre la surtension de la norme CEI, catégorie de mesure II




Pour se protéger contre le risque de choc électrique, le multimètre numérique Keysight EDU34450A à 5½ chiffres fournit une protection contre les surtensions pour les connexions au secteur remplissant les deux conditions suivantes :

- Les bornes d'entrée HI et LO sont connectées au secteur selon les conditions de la catégorie de mesure II, définie ci-dessous et
- Le secteur est limité à une tension de ligne maximum de 300 VCA rms.







La catégorie de mesure II selon la norme CEI inclut les dispositifs électriques connectés au secteur et une prise sur un circuit de ramification. De tels dispositifs comprennent la plupart des petits appareils, équipements de tests et autres dispositifs qui se branchent dans une prise murale ou de ramification. Le modèle EDU34450A peut être utilisé pour prendre des mesures avec les entrées HI et LO connectées au secteur dans de tels dispositifs, ou sur la prise de ramification même (jusqu'à 300 VCA rms). Cependant, le modèle EDU34450A ne peut pas être utilisé avec ses bornes HI et LO connectées au secteur dans des dispositifs électriques installés de manière permanente tels que le panneau de disjoncteur principal, des boîtiers de déconnexion de panneau secondaire ou des moteurs câblés en permanence. De tels dispositifs sont soumis à des surtensions qui peuvent dépasser les limites de protection du EDU34450A.

Des tensions supérieures à 300 VCA peuvent uniquement être mesurées dans des circuits isolés de l'alimentation secteur. Cependant, des surtensions transitoires sont aussi présentes sur des circuits isolés de l'alimentation secteur. Le modèle EDU34450A est conçu pour résister en toute sécurité à des tensions transitoires occasionnelles allant jusqu'à 2 500 Vpk. N'utilisez pas le multimètre pour mesurer des circuits sur lesquels les tensions transitoires pourraient dépasser cette valeur.

## Symboles de sécurité

Symbole	Description
	Attention, risque de danger (reportez-vous au manuel pour des informations détaillées sur les avertissements et les mises en garde)
	Borne de terre (masse) de protection.
	Mise à la terre
<b>Cat. II 300 V</b>	Norme IEC, catégorie de mesure II. Les entrées doivent être connectées au secteur (jusqu'à 300 VCA rms) dans les conditions de surtension dictées par la Catégorie II.
<b>AVERTISSEMENT</b>	La mention AVERTISSEMENT signale un danger. Si la manœuvre ou la procédure correspondante n'est pas respectée ou correctement réalisée, il peut y avoir un risque de blessures. En présence de la mention AVERTISSEMENT, il convient de ne pas poursuivre tant que les conditions indiquées n'ont pas été parfaitement comprises et respectées.
<b>MISE EN GARDE</b>	La mention ATTENTION signale un danger. Si la procédure correspondante n'est pas exécutée correctement ou respectée, il peut y avoir un risque d'endommagement ou de destruction d'une partie ou de l'ensemble de l'appareil. En présence de la mention ATTENTION, il convient de ne pas poursuivre tant que les conditions indiquées n'ont pas été parfaitement comprises et remplies.
<b>REMARQUE</b>	La mention REMARQUE signale des informations importantes. Il attire l'attention sur une procédure, une pratique, une condition ou autre, qu'il est important de noter.

## Mentions réglementaires

Symbole	Description
	<p>La marque RCM est une marque déposée de l’Australian Communications and Media Authority.</p>
	<p>Le marquage CE est une marque déposée de la Communauté Européenne. Cette marque CE montre que le produit est conforme à toutes les Directives juridiques européennes pertinentes. ICES/NMB-001 indique que cet appareil ISM est conforme à la norme canadienne ICES-001. Cet appareil ISM est conforme à la norme NMB-001 du Canada. La classe A ISM GRP 1 indique qu’il s’agit d’un produit industriel scientifique et médical de groupe 1 classe A.</p>
	<p>Ce symbole indique la période pendant laquelle aucune détérioration ou fuite de substances toxiques ou dangereuses n’est à attendre dans le cadre d’une utilisation normale. La durée de vie prévue du produit est de quarante ans.</p>
	<p>Ce symbole est une déclaration EMC de classe A de Corée du Sud. Il s’agit d’un instrument de classe A adapté à un usage professionnel dans un environnement électromagnétique en dehors du domicile.</p>
	<p>Le label CSA est une marque déposée de la Canadian Standards Association.</p>
	<p>Cet instrument est conforme aux exigences de marquage de la directive DEEE. L’étiquette apposée sur le produit indique que vous ne devez pas jeter ce produit électrique ou électronique avec les ordures ménagères.</p>

## Déclaration sud-coréenne de CEM de classe A :

Information à l'utilisateur :

La conformité de cet équipement pour une utilisation dans des environnements professionnels a été évaluée. Dans un environnement résidentiel, cet équipement peut causer des interférences radio.

– Cette déclaration EMC ne s’applique que pour les équipements utilisés uniquement dans un environnement professionnel.

### 사용자 안내문

이 기기는 업무용 환경에서 사용할 목적으로 적합성평가를 받은 기기로서 가정용 환경에서 사용하는 경우 전파간섭의 우려가 있습니다.

– 사용자 안내문은 “업무용 방송통신기자재”에만 적용한다.

## Exigences de sécurité et de CEM

Cette alimentation est conçue de manière à se conformer aux exigences de sécurité et de compatibilité CEM (Compatibilité électromagnétique) suivantes :

- Directive basse tension 2014/35/EU
- Directive CEM 2014/30/EU

## Conditions d'environnement

Cet instrument est conçu pour être utilisé dans des locaux fermés où la condensation est faible. Le tableau ci-dessous illustre les conditions d'environnement générales requises pour cet instrument.

Environnement	Exigences
Température	Conditions de fonctionnement : 0 à 55 °C Conditions de stockage : -40 °C à 70 °C
Humidité	Pleine précision jusqu'à 80% d'humidité relative à 0 °C jusqu'à 30 °C (sans condensation) <b>Pleine précision jusqu'à 40% d'humidité relative à 30 °C jusqu'à 55 °C (sans condensation)</b>
Altitude	3000 m
Degré de pollution	2
Alimentation et fréquence de ligne	100, 120, 220, 240 V 50/60 Hz
Consommation d'énergie	13 VA max.

# 1 Présentation de l'instrument

Présentation succincte de l'instrument

Présentation succincte du panneau avant

Présentation succincte de l'écran du panneau avant

Présentation succincte des boutons du panneau avant

Présentation succincte du panneau arrière

Informations relatives aux fusibles

Dimensions de l'instrument

Le multimètre numérique Keysight EDU34450A à 5½ chiffres est capable de produire une large plage de fonctions de mesure telles que les mesures de tension continue, de courant continu, de tension alternative en valeur efficace vraie et courant alternatif, de résistance en 2 fils et 4 fils, de fréquence, de test de diode, de continuité, de capacité et de température.

## Présentation succincte de l'instrument

Le multimètre numérique Keysight EDU34450A à 5½ chiffres propose une vaste gamme de fonctions de mesure, un écran et une interface utilisateur de pointe.

### Principales fonctions :

- Onze fonctions de mesure ; VCC, ICC, VCA en valeur efficace vraie, ICA, résistance à 2 et 4 fils, fréquence, continuité, test de diode, capacité et température
- Écran couleur intuitif pour deux mesures WVGA de 7 pouces
- Précision VCC de base de 0,015 % pour 1 V
  - 100 mV : 0,018%
  - 1 V : 0,015%
  - 10 V : 0,025%
  - 100 V : 0,025%
  - 1000 V : 0,027%
- Mémoire d'enregistrement de jusqu'à 5 000 points de données
- Connectivité USB et LAN PC
- Logiciel PathWave BenchVue inclus

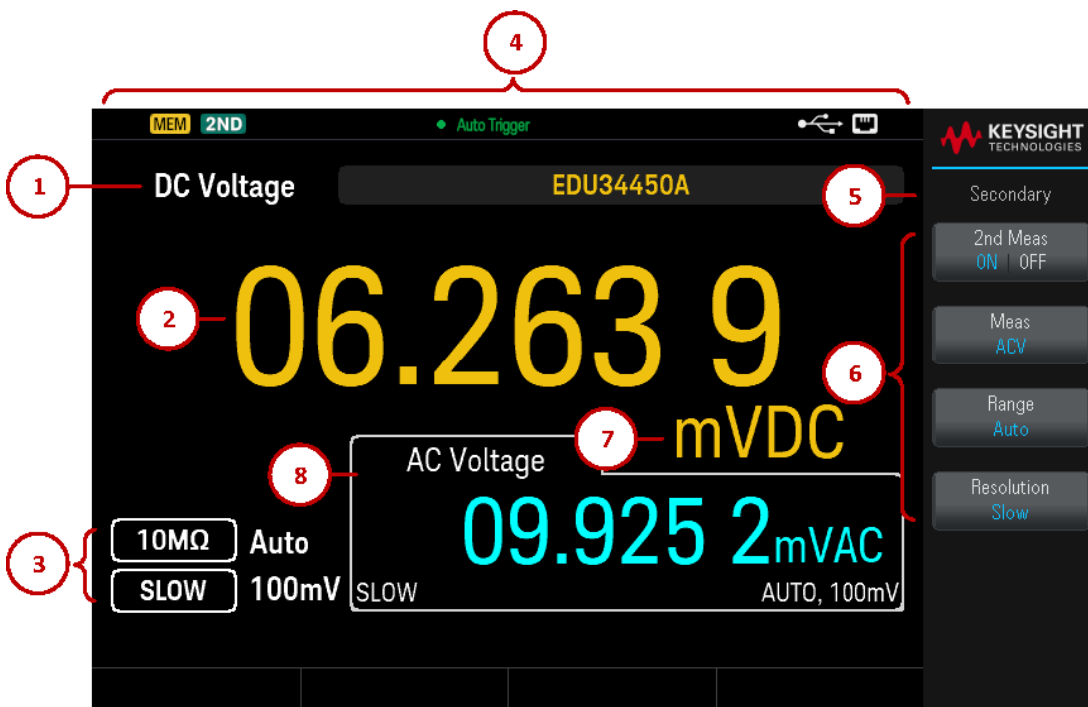
## Présentation succincte du panneau avant



Légende	Description
1	Écran WVGA de 7 pouces

Légende	Description
2	Interrupteur [ON/OFF]
3	Port USB – Permet de raccorder un périphérique de stockage USB à l'instrument  <b>REMARQUE</b> Le modèle EDU34450A prend en charge les clés USB ayant les spécifications suivantes : USB 2.0, format FAT32, jusqu'à 32 Go. Nous recommandons d'utiliser un périphérique flash SanDisk Cruzer Blade pour le port USB du panneau avant.
4	Bouton [Back]  <b>REMARQUE</b> Maintenez le bouton [Back] enfoncé pendant plus de 3 secondes avec une clé USB externe connectée afin de capturer automatiquement l'écran de l'instrument. L'image capturée sera enregistrée sur la clé USB connectée.
5	Touches de fonction du menu
6	Bouton [Enter] et touches fléchées
7	Boutons de mesure
8	Boutons Primaire : [Display], [Acquire], [Run/Stop], [Store/Recall] et [Null] Boutons Secondaire : 2nd (affichage secondaire), Probe Hold, Utility et Math
9	Boutons [ - ], Range, and [ + ]
10	Bouton [Shift]   Local
11	Bornes d'entrée
12	Support de fusibles







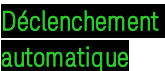
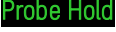




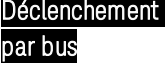

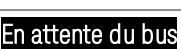
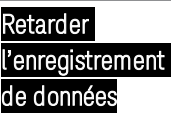
## Présentation succincte de l'écran du panneau avant



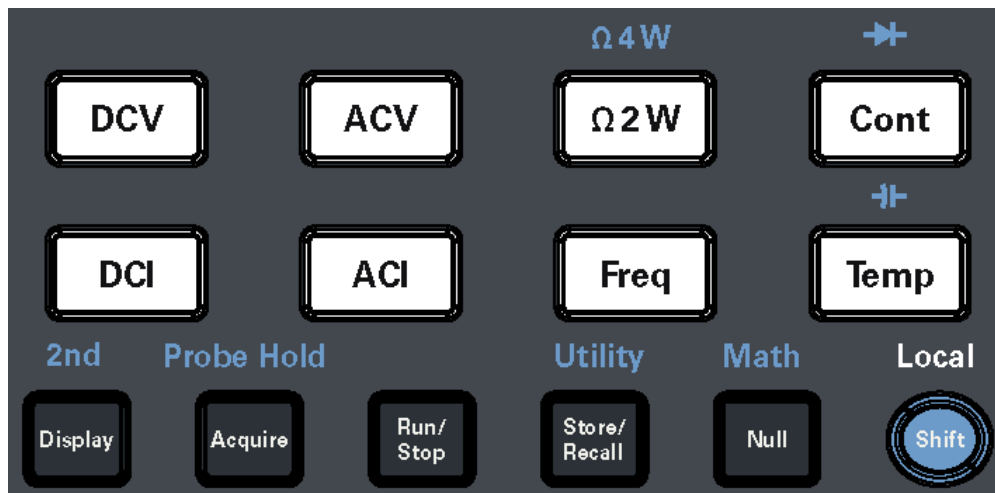


Légende	Description
1	Nom de la fonction de mesure principale
2	Valeur de mesure principale
3	Paramètres de mesure principale
4	Témoins d'état de l'instrument
5	Nom du menu des raccourcis
6	Libellés des touches de fonction
7	Unité de mesure
8	Fonction de mesure secondaire, valeur et paramètres (si cette fonction est activée)

## Témoins d'état de l'instrument

Légende	Description
	La clé USB est connectée
	Le LAN est connecté
	Instrument en mode à distance
	La mesure secondaire est activée.
	Les données sont enregistrées par l'opération du journal des données.
	Le décalage est activé.
	L'instrument fonctionne en mode continu.
	La fonction de maintien de la sonde est activée.
	Le journal de données a été activé, l'instrument est en attente d'un déclencheur d'enregistrement des données.
	L'enregistrement de données est en cours.
	Uniquement disponible en mode distant, affiché lorsque READ? Est envoyé à l'instrument.  est affiché après capture d'une lecture par l'instrument.
	Uniquement disponible en mode distant, affiché lorsque le déclenchement par bus est sélectionné.  est affiché après l'envoi de la commande INIT à l'instrument et une fois qu'il a capturé une lecture.
	Uniquement disponible en mode distant, affiché lorsque le déclenchement par bus est sélectionné et que la commande INIT est envoyée à l'instrument.
	Disponible uniquement lorsque le délai de déclenchement est configuré à plus de 0 s avec l'enregistrement des données activé, affiché après avoir appuyé sur <b>Run/Stop</b> .

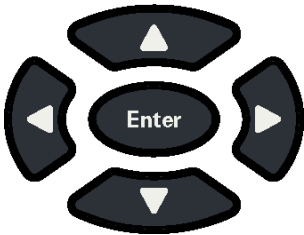
## Présentation succincte des boutons du panneau avant



Légende	Description
[DCV]	Appuyez pour activer la mesure de tension continue.
[V CA]	Appuyez pour activer la mesure de tension alternative.
[ $\Omega 2W$ ]	Appuyez pour mesurer une résistance 2 fils.
$\Omega 4W$	Appuyez sur [Shift] puis sur [ $\Omega 2W$ ] pour activer la mesure de résistance 4 fils.
[Cont]	Appuyez pour activer les tests de continuité.
$\rightarrow+$	Appuyez sur [Shift] puis sur [Cont] pour activer les mesures de diode.
[I CC]	Appuyez pour activer la mesure de courant continu.
[I CA]	Appuyez pour activer la mesure de courant alternatif.
[Freq]	Appuyez pour activer la mesure de fréquence.
[Temp]	Appuyez pour activer la mesure de température.
$\leftarrow+$	Appuyez sur [Shift] puis sur [Temp] pour activer la mesure de capacité.
[Display]	Appuyer pour accéder au menu d'affichage.
2e	Appuyez sur [Shift] puis sur [Display] pour accéder au menu secondaire.
[Acquire]	Appuyez pour acquérir une mesure.
Probe Hold	Appuyez sur [Shift] puis sur [Acquire] pour accéder au menu Probe Hold.
[Run/Stop]	Appuyer pour accéder au menu Exécuter/Arrêter.
[Store/Recall]	Appuyer pour accéder au menu Enregistrer/Rappeler.
Utility	Appuyez sur [Shift] puis sur [Store/Recall] pour accéder au menu des utilitaires.
[Null]	Appuyez pour déclencher la fonction Null.
Math	Appuyez sur [Shift] puis sur [Null] pour activer le menu mathématique.
[Shift]	Appuyez pour accéder à la fonction secondaire d'un bouton.

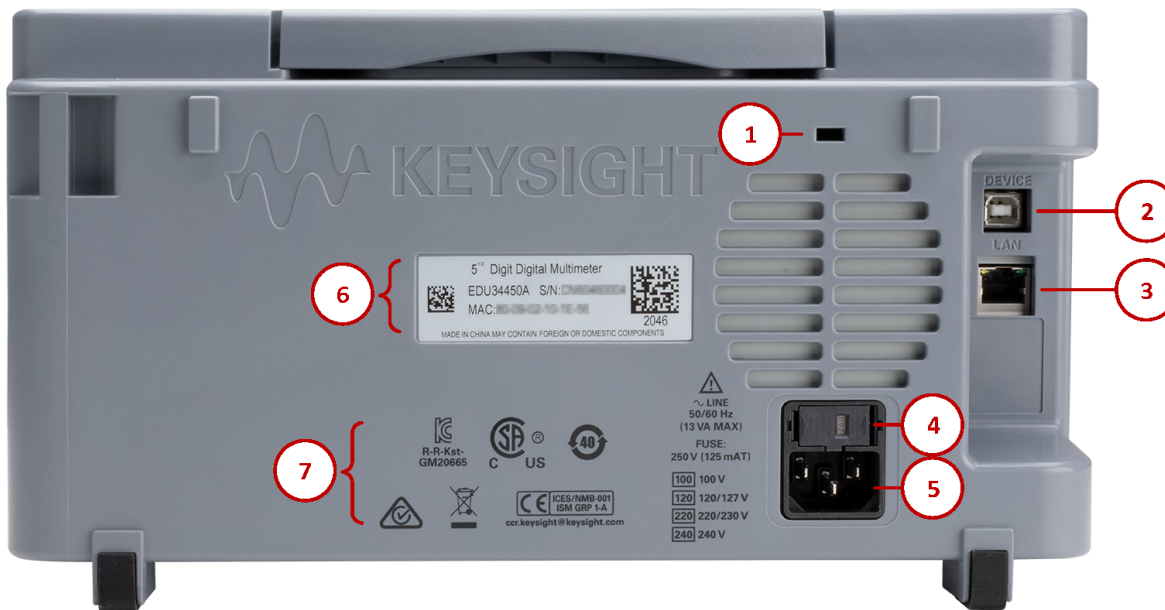
Légende	Description
Local	Appuyez pendant la commande à distance pour avoir de nouveau accès aux boutons du panneau avant.
[ - ] et [ + ]	Appuyez pour diminuer ou augmenter la plage de mesure. L'instrument sera alors en mode de plage manuelle.
[Range]	Appuyez pour activer la plage automatique.

## Navigation sur le panneau avant



Utilisez les touches à flèches pour naviguer dans les menus et ajuster les valeurs. Utilisez **[Enter]** pour confirmer votre sélection.

## Présentation succincte du panneau arrière



Légende	Description
1	verrou Kensington
2	Connecteur de l'interface USB-B (Bus série universel)
3	Connecteur de l'interface du réseau local (LAN)
4	Fusible secteur CA

Légende	Description
5	Connecteur d'alimentation CA
6	Numéro de série de l'instrument et adresse MAC
7	Étiquettes de sécurité et réglementaires de l'instrument

**AVERTISSEMENT** Il s'agit d'un équipement de classe de protection 1 (le châssis doit être connecté à une mise à la terre de protection). La fiche d'alimentation secteur doit être branchée dans une prise murale dotée d'une borne de mise à la terre de protection.

---

## Informations relatives aux fusibles

### Remplacement du fusible d'entrée en courant

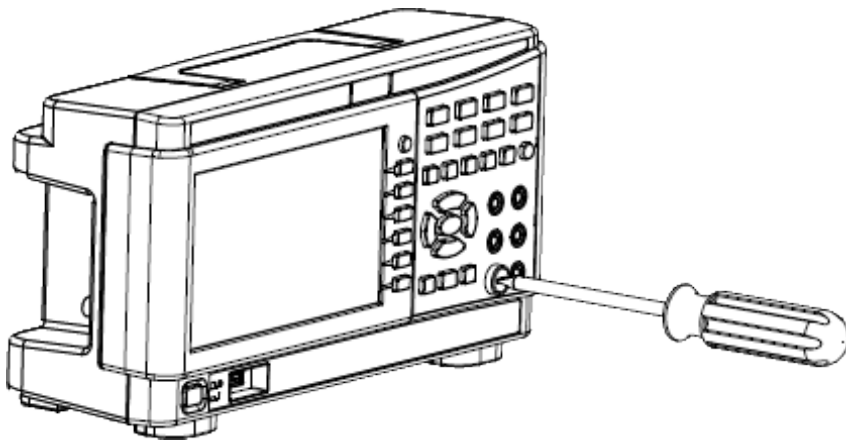
Le tableau suivant décrit le fusible à utiliser.

Référence du fusible	Description	Type de fusible
EDU34450-36202	Fusible 4 A, 600 V, 6 x 32 mm, à action rapide en céramique	Cartouche

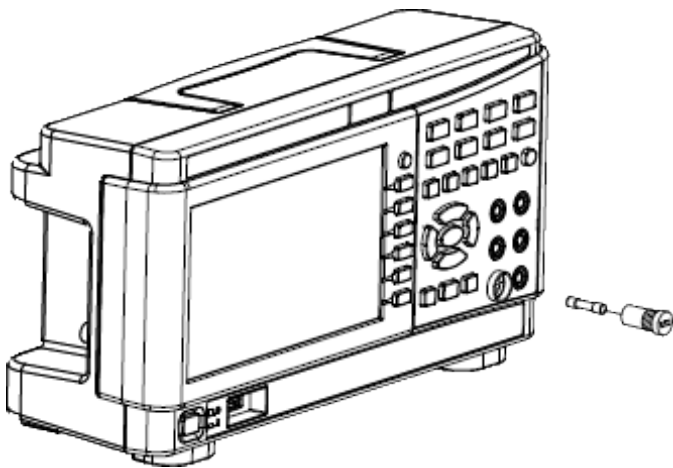
Si vous identifiez que le fusible d'entrée en courant est défectueux, remplacez-le par un fusible de même taille et de même caractéristique.

Pour remplacer un fusible grillé, suivez les trois étapes ci-dessous :

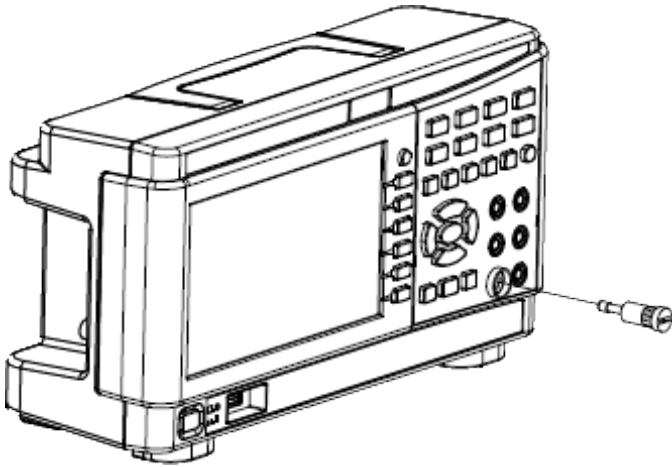
1. Le fusible d'entrée en courant se trouve dans le panneau avant de l'instrument. En utilisant un tournevis plat, tournez le porte-fusible dans le sens horaire pour le retirer de l'instrument.



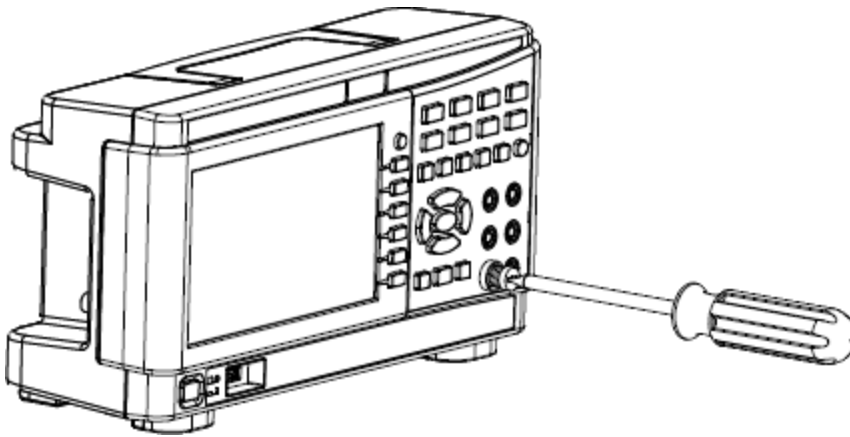
2. Retirez le fusible grillé du porte-fusible et insérez le fusible de remplacement approprié à sa place.



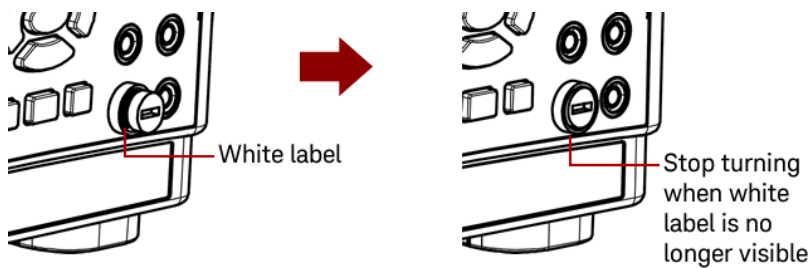
3. Réinsérez le porte-fusible dans l'instrument.



4. Utilisez un tournevis plat pour tourner le porte-fusible dans le sens anti-horaire pour le fixer dans l'instrument.



(Tournez le porte-fusible jusqu'à ce que l'étiquette blanche ne soit plus visible.)



**MISE EN GARDE**

Arrêtez de tourner le porte-fusible lorsque l'étiquette blanche n'est plus visible. Ne serrez pas trop fort car le porte-fusible en plastique peut se fissurer s'il est trop serré.

## Remplacement du fusible secteur

Le fusible secteur se trouve dans l'ensemble porte-fusible de l'instrument, situé sur le panneau arrière. Ce fusible est installé lorsque le multimètre sort de l'usine.

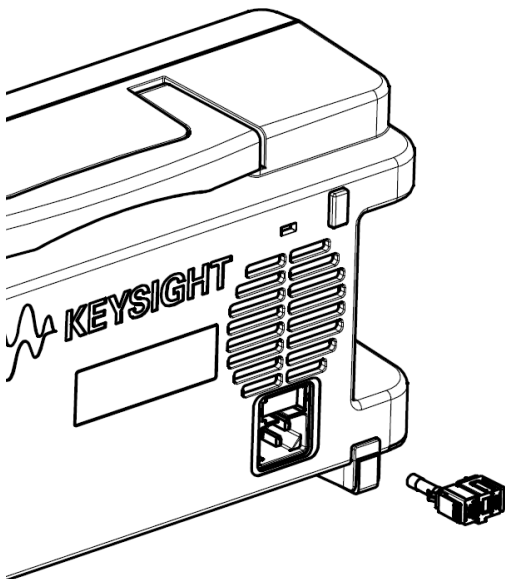
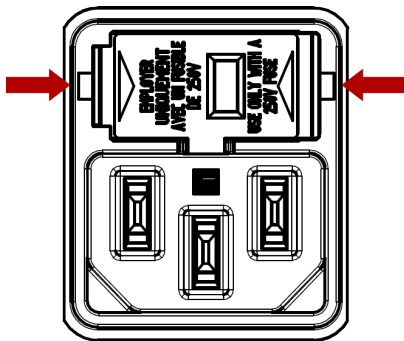
Le tableau suivant décrit le fusible à utiliser.

Référence du fusible	Description du fusible	Type de fusible
EDU34450-36200	Fusible 125 mA, en verre, 5 x 20 mm à action retardée	Cartouche

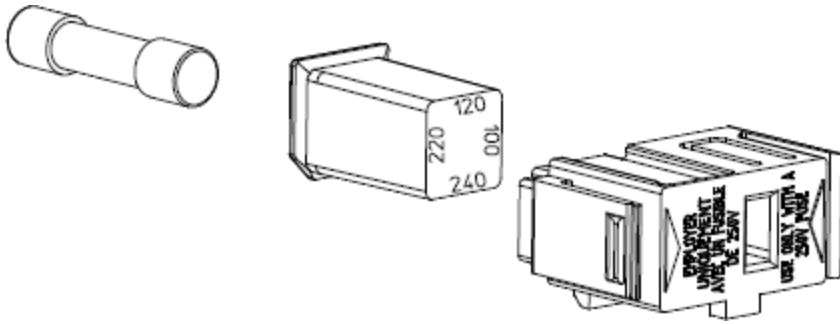
Si vous déterminez que le fusible secteur est défectueux, remplacez-le par un fusible de même taille et de même caractéristique.

Pour remplacer un fusible grillé, suivez les quatre étapes ci-dessous :

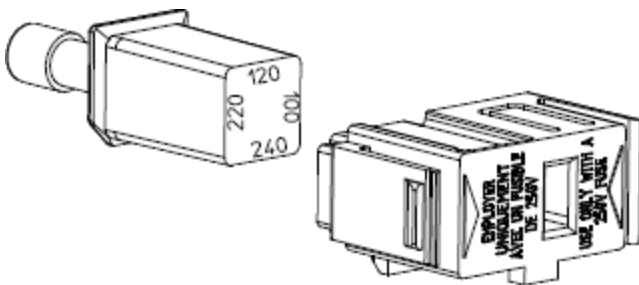
1. Le fusible secteur se trouve dans le panneau arrière de l'instrument. Déconnectez le cordon d'alimentation. Utilisez le bout de vos doigts pour appuyer sur les pattes gauche et droite puis retirez le porte-fusible en tirant dessus.



- Retirez le sélecteur de tension secteur du porte-fusible et retirez le fusible grillé du sélecteur de tension de ligne.



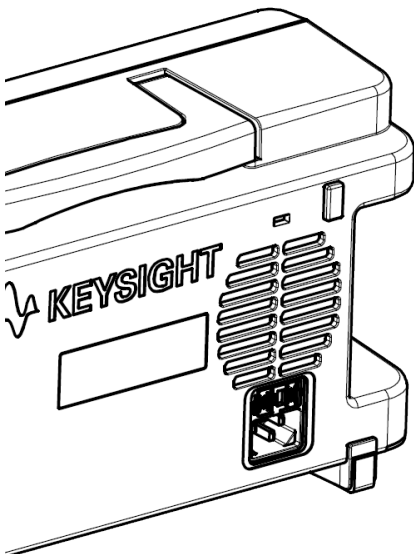
- Insérez le fusible de remplacement approprié dans le sélecteur de tension de ligne et réinstallez-le de sorte que la bonne tension apparaisse dans la fenêtre du porte-fusible.



**REMARQUE** Pour modifier la tension nominale de ligne de l'instrument (100 V, 120 V, 220 V, ou 240 V), faites tourner le sélecteur de tension pour que la tension souhaitée apparaisse dans la fenêtre du porte-fusible.

---

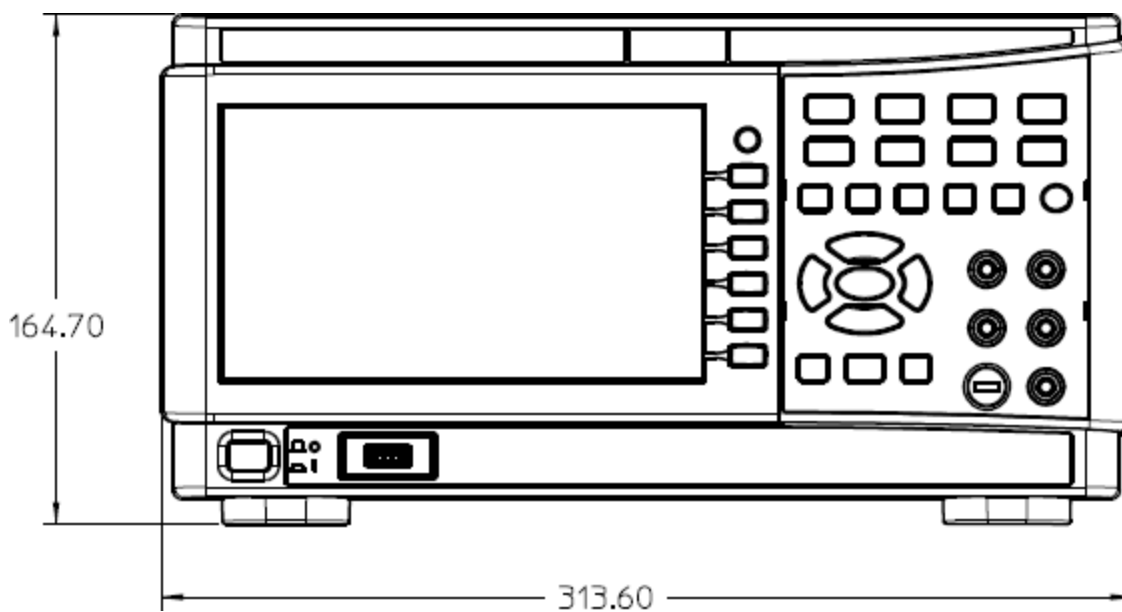
- Réinsérez le porte-fusible dans l'instrument. Attendez d'entendre un « clic » lorsque vous fixez le porte-fusible sur l'instrument.



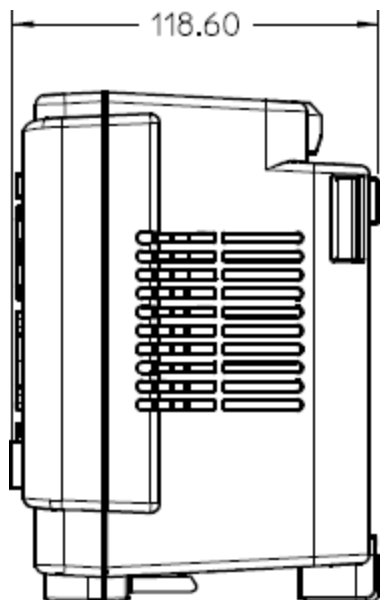


## Dimensions de l'instrument

Hauteur : 164,70 mm x Largeur : 313,60 mm



Longueur : 118,60 mm



# 2 Mise en route

Préparer l'instrument avant utilisation

Réaliser une mesure

Sélectionner une plage

Utiliser le système d'aide intégré

Connexions de l'interface de commande à distance

Configuration de l'interface de commande à distance

Commande à distance

Cette rubrique décrit les procédures de base pour vous aider à utiliser rapidement l'instrument.

## Préparer l'instrument pour l'utilisation

Lorsque vous recevez votre instrument, inspectez-le pour déceler tout dommage évident qui aurait pu survenir pendant l'expédition. En cas de dommage, informez immédiatement le transporteur et le bureau de vente et d'assistance Keysight le plus proche. Rendez-vous sur [www.keysight.com/find/assist](http://www.keysight.com/find/assist).

Jusqu'à ce que vous ayez vérifié l'instrument, conservez le carton d'expédition et les matériaux d'emballage au cas où l'appareil devrait être retourné. Vérifiez que vous avez reçu avec votre instrument tous les éléments de la liste ci-dessous. Si un composant est manquant, contactez votre bureau commercial et d'assistance Keysight le plus proche.

- Guide de démarrage rapide
- Cordon d'alimentation AC (adapté au pays)
- Un jeu de cordons de test (EDU34450-62100)
- Certificat d'étalonnage et Notice sur la durée de conservation
- Brochure sur la sécurité Keysight (9320-6797)
- Addendum RoHS pour les multimètres numériques (Chine) (9320-6661)

## Révisions de la documentation et du micrologiciel

La documentation indiquée ci-dessous peut être téléchargée gratuitement sur notre site Web à l'adresse [www.keysight.com/find/EDU34450A-manuals](http://www.keysight.com/find/EDU34450A-manuals)

- Guide de démarrage rapide du multimètre numérique Keysight EDU34450A à 5½ chiffres. Copie imprimée, fournie avec votre instrument.
- Guide utilisateur du multimètre numérique Keysight EDU34450A à 5½ chiffres. Le présent manuel.
- Référence du programmeur de multimètre numérique Keysight EDU34450A à 5½ chiffres.
- Guide des services du multimètre numérique Keysight EDU34450A à 5½ chiffres.

Pour obtenir la dernière révision du micrologiciel et les instructions de mise à jour du micrologiciel, rendez-vous sur le site [www.keysight.com/find/EDU34450A-sw](http://www.keysight.com/find/EDU34450A-sw).

## Intervalle d'étalonnage recommandé

Keysight Technologies recommande un cycle d'étalonnage d'un an pour cet instrument.

## Paramétrer l'instrument

Placez les pieds de l'instrument sur une surface horizontale plate et lisse. Fixez le câble d'alimentation sur le panneau arrière, puis branchez-le sur l'alimentation secteur. Connectez les câbles LAN ou USB comme vous le souhaitez et vous pouvez également sécuriser l'instrument avec un câble de verrouillage de sécurité. Enfin, allumez l'instrument en utilisant le bouton **[On/Off]** du panneau avant.

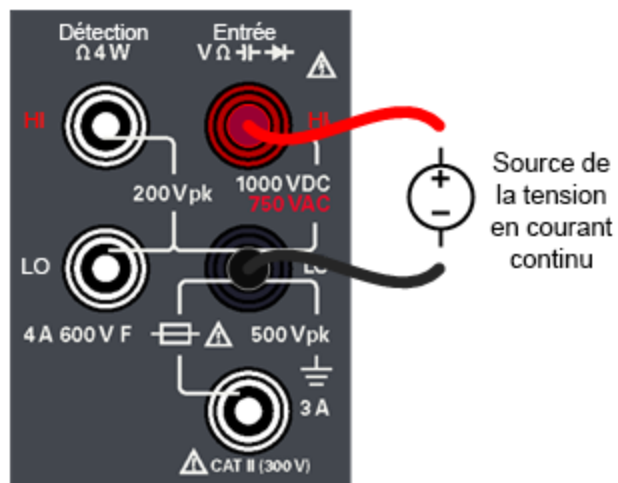
## Réaliser des mesures

### Mesure d'une tension continue

1. Appuyez sur la touche [DCV].



2. Connectez les bornes comme illustré ci-dessous.



3. Lisez l'affichage.
  - Appuyez sur **Resolution** pour modifier la vitesse de lecture sur **Slow**, **Medium** ou **Fast**.
  - Appuyez sur **Input Z** pour définir l'impédance d'entrée sur **10MΩ** ou **Auto**.

**AVERTISSEMENT** N'appliquez pas de tension aux entrées de l'instrument avant d'avoir connecté toutes les bornes correctement. Brancher ou débrancher le cordon de test lorsqu'il est sous haute tension peut endommager l'instrument et peut augmenter le risque de choc électrique.

---

### Paramètres de tension continue

- Plage de mesure : 100,000 mV, 1,00000 V, 10,0000 V, 100,000 V, 1000,00 V
- Vitesse : Lente, moyenne, rapide
- Réglages par défaut : Détection automatique de la plage, vitesse de mesure lente
- Méthode de mesure : Convertisseur A/D Sigma Delta
- Impédance d'entrée : >10 G $\Omega$  plage sélectionnée (0,1 V et 1 V uniquement) ou ~10 M $\Omega$  toutes les plages (typique)
- Protection d'entrée : 1 000 V pour toutes les plages (borne HI)

### Mesure d'une tension alternative (RMS)

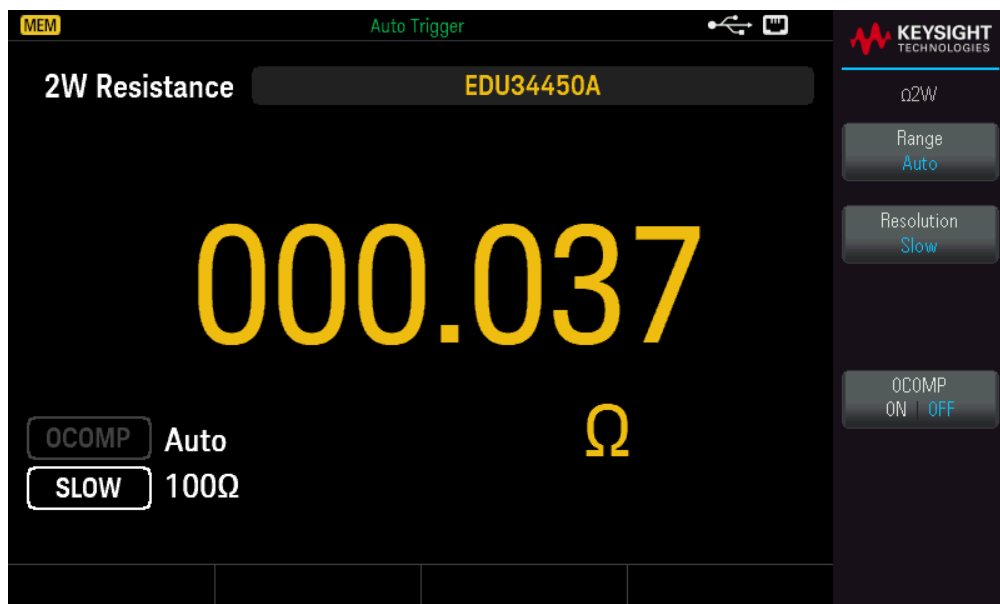
1. Appuyez sur la touche [ACV].



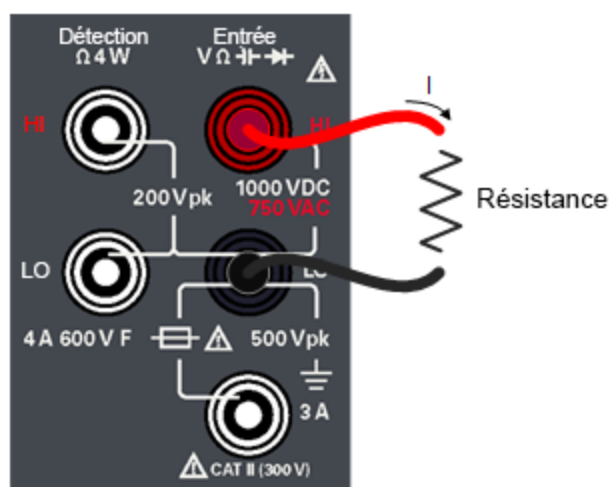


## Mesure d'une résistance 2 fils

1. Appuyez sur [**Ω2W**].



2. Connectez les bornes comme illustré ci-dessous.



3. Lisez l'affichage.

- Appuyez sur **Resolution** pour modifier la vitesse de lecture sur **Slow**, **Medium** ou **Fast**.
- Appuyez sur **OCOMP** pour activer (**ON**) ou désactiver (**OFF**) la compensation de décalage.

### Paramètres de résistance 2 fils

- Plage de mesure : 100,000 Ω, 1,00000 kΩ, 10,0000 kΩ, 100,000 kΩ, 1,00000 MΩ, 10,0000 MΩ, 100,000 MΩ.
- Vitesse : Lente, moyenne, rapide
- Réglages par défaut : Détection automatique de la plage, vitesse de mesure lente

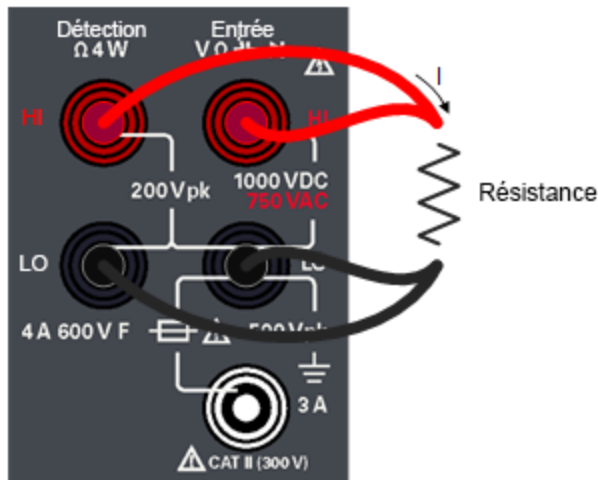
- Méthode de mesure : résistances en deux fils
- Protection d'entrée : 1 000 V pour toutes les plages (borne HI)

Mesure d'une résistance 4 fils

1. Appuyez sur **[Shift]** > **[Ω2W]** | **Ω4W**.



2. Connectez les bornes comme illustré ci-dessous.



3. Lisez l'affichage.
  - Appuyez sur **Resolution** pour modifier la vitesse de lecture sur **Slow**, **Medium** ou **Fast**.
  - Appuyez sur **OCOMP** pour activer (**ON**) ou désactiver (**OFF**) la compensation de décalage.

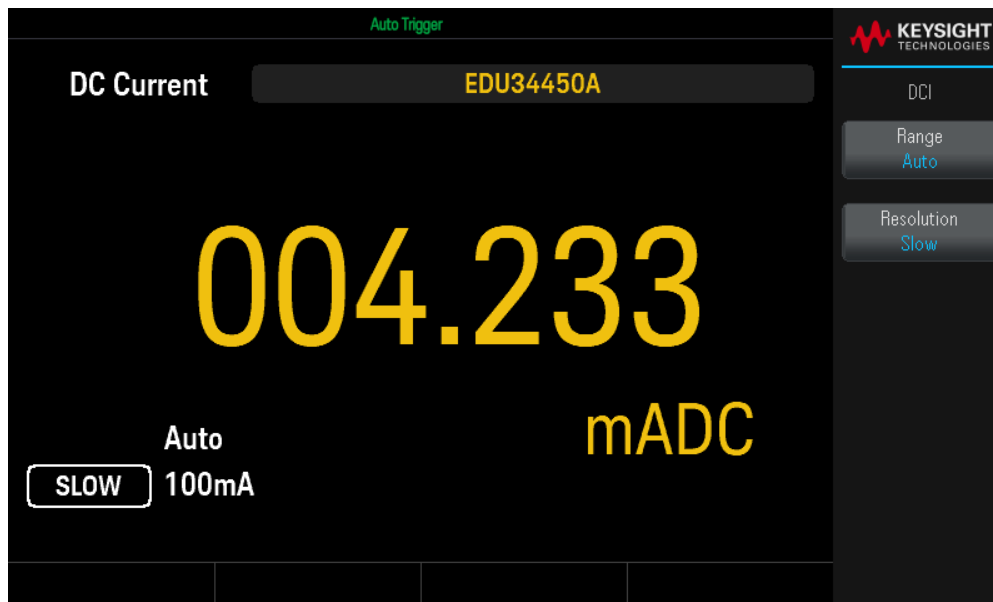


### **Paramètres de résistance 4 fils**

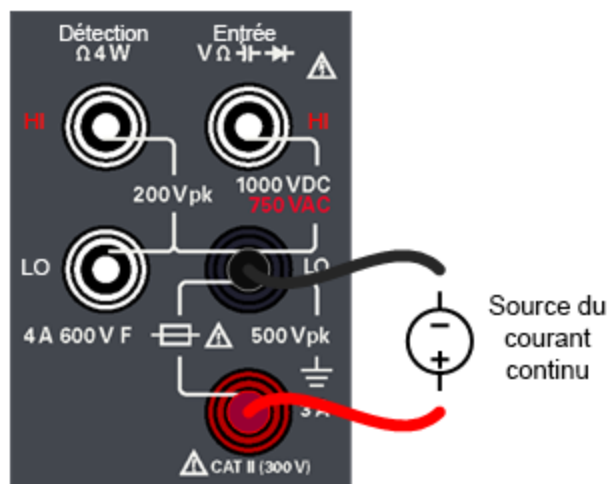
- Plage de mesure : 100,000  $\Omega$ , 1,00000 k $\Omega$ , 10,0000 k $\Omega$ , 100,000 k $\Omega$ , 1,00000 M $\Omega$ , 10,0000 M $\Omega$ , 100,000 M $\Omega$ .
- Vitesse : Lente, moyenne, rapide
- Réglages par défaut : Détection automatique de la plage, vitesse de mesure lente
- Méthode de mesure : Résistances en quatre fils
- Protection d'entrée : 1 000 V pour toutes les plages (aux bornes HI-LO), 200 V (aux bornes de détection HI-détection LO).

## Mesure du courant continu

1. Appuyez sur la touche [DCI].



2. Connectez les bornes comme illustré ci-dessous.



3. Lisez l'affichage.

Appuyez sur **Resolution** pour modifier la vitesse de lecture sur **Slow**, **Medium** ou **Fast**.

### Paramètres du courant continu

- Plage de mesure : 10,0000 mA, 100,000 mA, 1,00000 A, 3,0000 A
- Vitesse : Lente, moyenne, rapide
- Réglages par défaut : Détection automatique de la plage, vitesse de mesure lente
- Résistance de shunt : 1  $\Omega$  pour 10 mA et 100 mA et 0,1  $\Omega$  pour les plages 1 A et 3 A

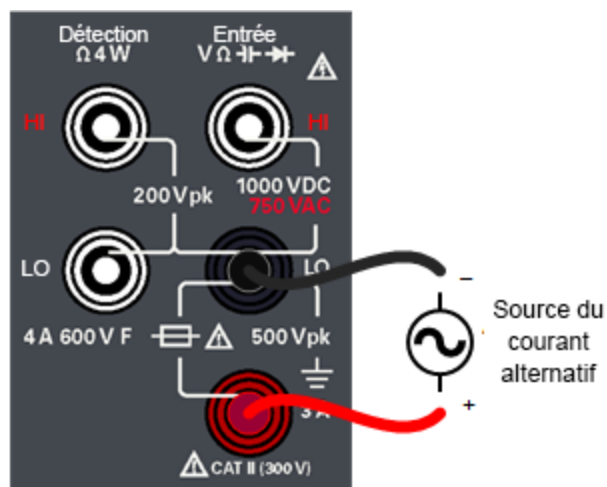
- Protection d'entrée : Panneau avant, 4 A 600 V pour le fusible céramique à action rapide

## Mesure du courant alternatif

1. Appuyez sur la touche [ACI].



2. Connectez les bornes comme illustré ci-dessous.



3. Lisez l'affichage.

Appuyez sur **Resolution** pour modifier la vitesse de lecture sur **Slow**, **Medium** ou **Fast**.

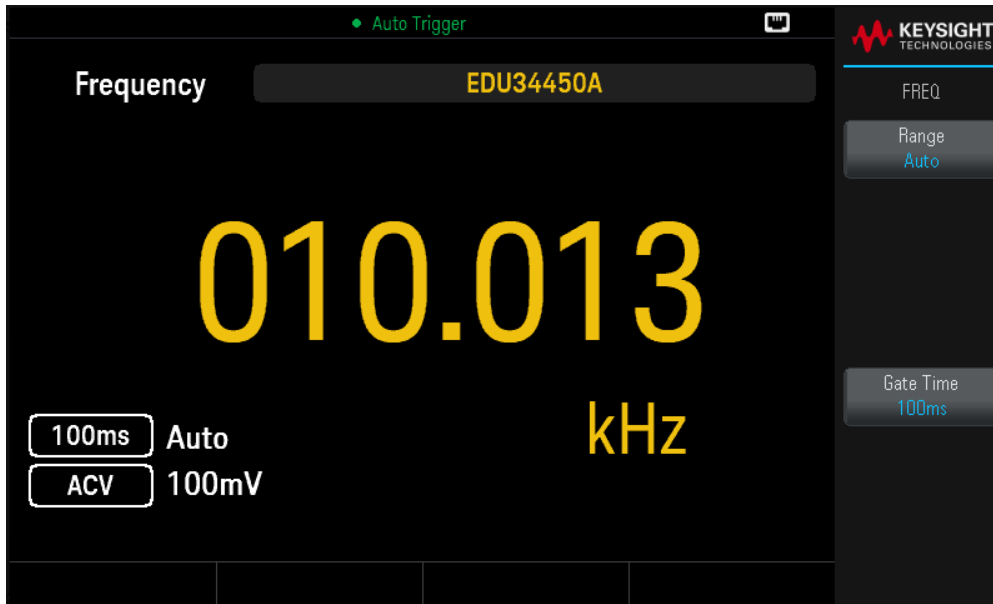
### Paramètres du courant alternatif

- Plage de mesure : 10,0000 mA, 100,000 mA, 1,00000 A, 3,0000 A
- Vitesse : Lente-2 Hz Filtre passe-haut (HPF), Moyenne-20 Hz HPF, Rapide-200 Hz HPF

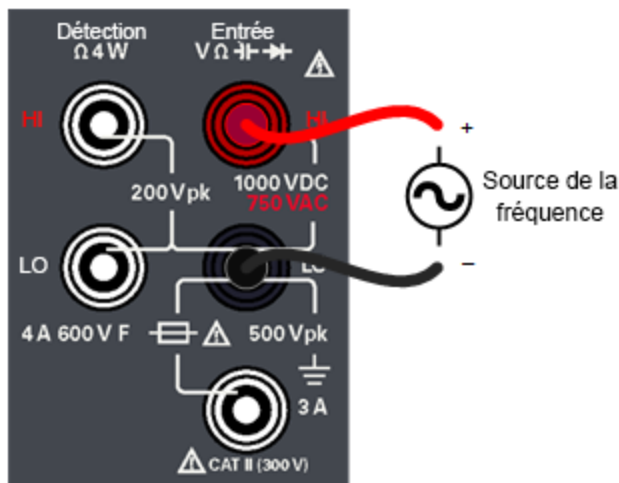
- Réglages par défaut : Détection automatique de la plage, vitesse de mesure lente
- Résistance de shunt : 1  $\Omega$  pour 10 mA et 100 mA et 0,1  $\Omega$  pour les plages 1 A et 3 A
- Protection d'entrée : Panneau avant, 4 A 600 V pour le fusible céramique à action rapide

Mesure de la fréquence pour la tension

1. Appuyez sur [ACV] > [Freq].



2. Connectez les bornes comme illustré ci-dessous.



3. Lisez l'affichage.

Appuyez sur **Gate Time** pour modifier le temps de porte sur **100 ms** ou **1 s**.

## Paramètres de fréquence pour la tension

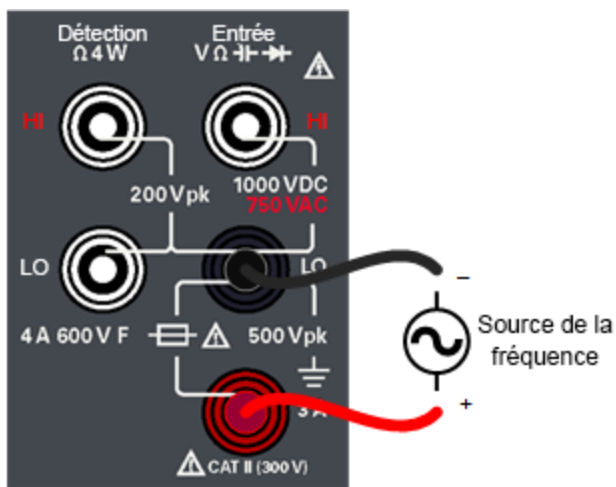
- Plage de mesure : 100,000 mV, 1,00000 V, 10,0000 V, 100,000 V, 750,00 V (la plage dépend du niveau de tension du signal et non de la fréquence.)
- Méthode de mesure : Technique de comptage réciproque
- Niveau du signal : 10 % de la plage à pleine échelle pour toutes les plages sauf notation différente. Les spécifications de plage 100 mV sont pour les entrées à pleine échelle ou supérieures. Pour les entrées de 10 mV à 100 mV (dans la plage 100 mV), multipliez le % total de l'erreur de lecture par 10.
- Temps de porte (Gate) : 1 seconde (mode lent) ou 0,1 seconde (mode moyen)
- Protection d'entrée : 750 Vrms sur toutes les plages (borne HI)

## Mesure de fréquence pour le courant

1. Appuyez sur [ACI] > [Freq].



2. Connectez les bornes comme illustré ci-dessous.



3. Lisez l'affichage.

Appuyez sur **Gate Time** pour modifier le temps de porte sur **100 ms** ou **1 s**.

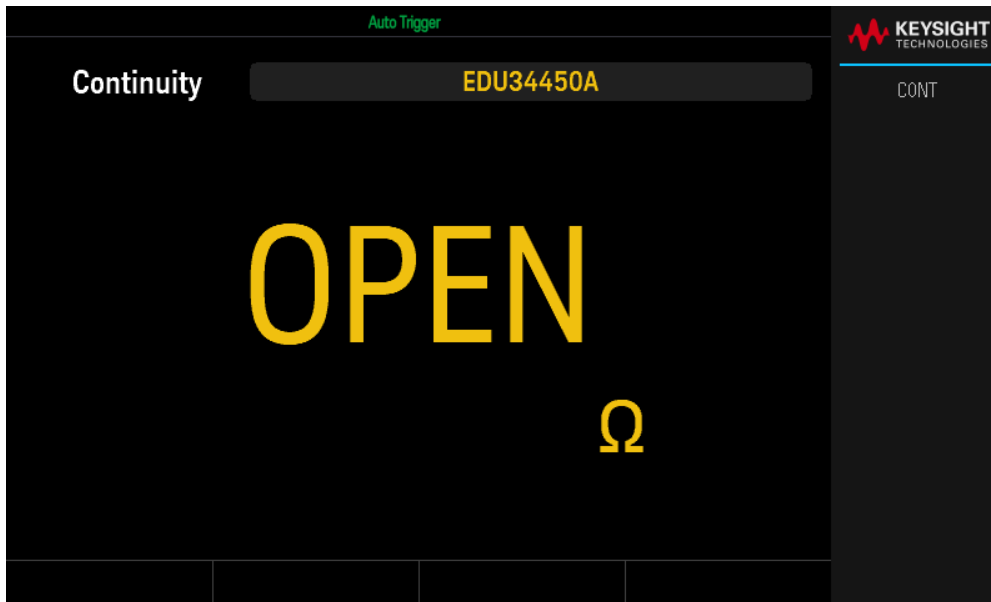
### Paramètres de fréquence pour le courant

- Plage de mesure : 10,0000 mA, 100,000 mA, 1,00000 A, 3,0000 A. La plage dépend du niveau du courant du signal, et non de la fréquence.
- Méthode de mesure : Technique de comptage réciproque

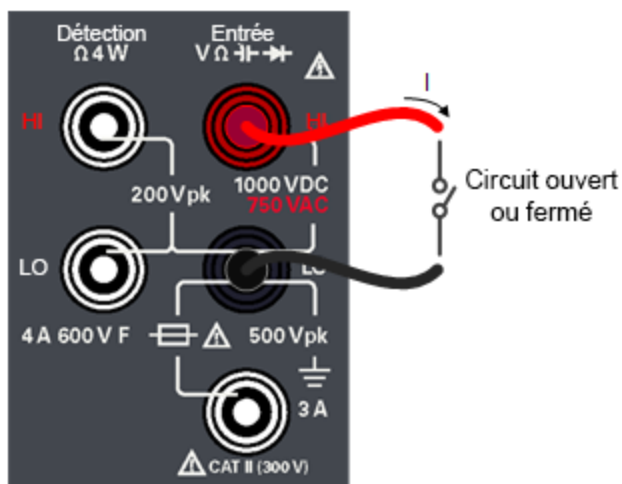
- Niveau du signal : 10 % de la plage à pleine échelle pour toutes les plages sauf notation différente. Les spécifications de plage 10 mA sont pour les entrées à pleine échelle ou supérieures. Pour les entrées de 1 mA à 10 mA (dans la plage 10 mA), multipliez le % total de l'erreur de lecture par 10.
- Temps de porte (Gate) : 1 seconde (mode lent) ou 0,1 seconde (mode moyen)
- Protection d'entrée : Panneau avant, 4 A 600 V pour le fusible céramique à action rapide

## Test de la continuité

1. Appuyez sur [Cont].



2. Connectez les bornes comme illustré ci-dessous.



3. Lisez l'affichage.

Une valeur de résistance est observée si le circuit est fermé et OPEN est observé si le circuit est ouvert.

### Paramètres de continuité

- Méthode de mesure : 0,5 mA (typique) source de courant constant
- Temps de réponse : 100 échantillons/seconde, avec signal sonore
- Seuil de continuité : 10  $\Omega$  fixes



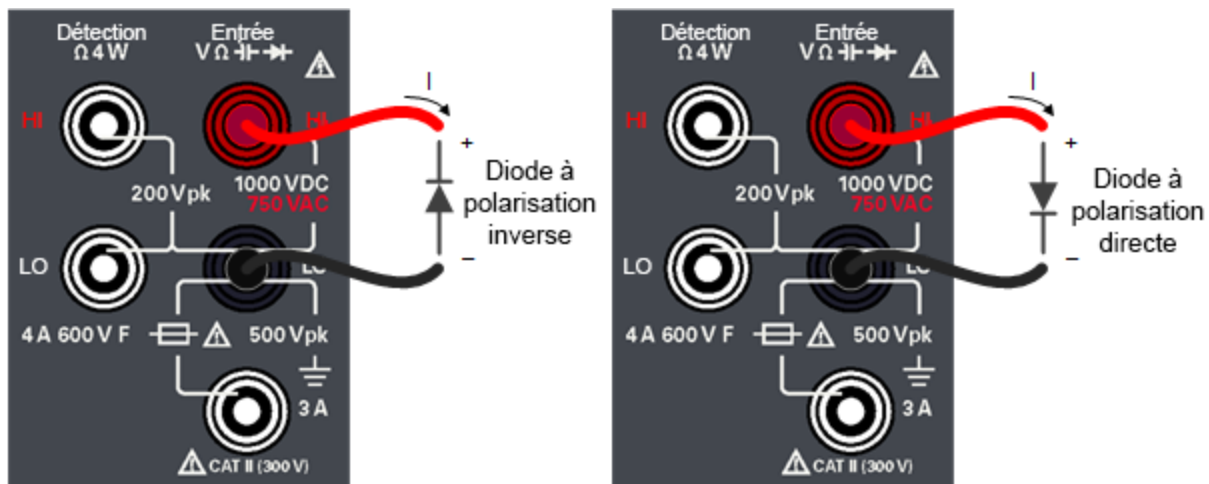
– Protection d'entrée : 1 000 V (borne HI)

## Test des diodes

1. Appuyez sur [Shift] > [Cont] | ➔.



2. Connectez les bornes comme indiqué ci-dessous (pour tester la position de diode à polarisation inverse ou la position de diode à polarisation directe).



3. Lisez l'affichage.

- Pour la position de diode à polarisation inverse : OPEN est observé si la diode est bonne.
- Pour la position de diode à polarisation directe : Une valeur comprise entre 0,3 et 0,8 V est observée sur la diode est bonne (pour la plupart des diodes en silicium).
- Si OPEN est observé sur les deux directions, la diode n'est plus bonne.
- Si une chute de 0 V à 0,4 V est observée dans les deux directions, la diode a subi un court-circuit.

Appuyez sur **Beeper** pour activer (**ON**) ou désactiver (**OFF**) l'avertisseur sonore.

### Paramètres de la diode

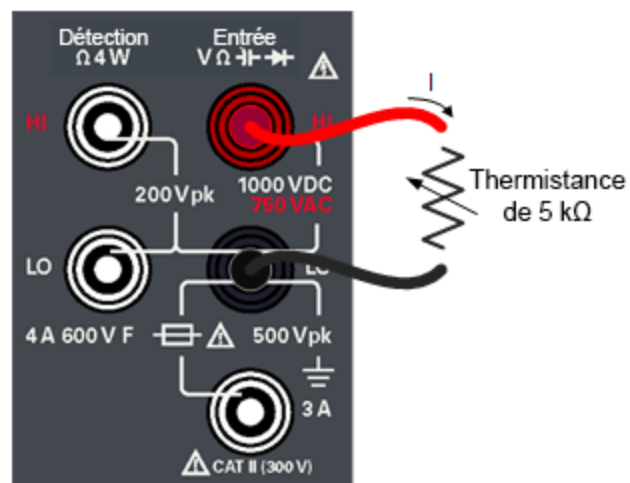
- Méthode de mesure : 0,5 mA (typique) source de courant constant
- Temps de réponse : 100 échantillons/seconde, avec signal sonore
- Protection d'entrée : 1 000 V (borne HI)

Mesure de la température

1. Appuyez sur [Temp].



2. Connectez les bornes comme illustré ci-dessous.



3. Lisez l'affichage.

Appuyez sur **Units** pour basculer les unités de température entre degré Celsius (°C) et degré Fahrenheit (°F).

### **Paramètres de température**

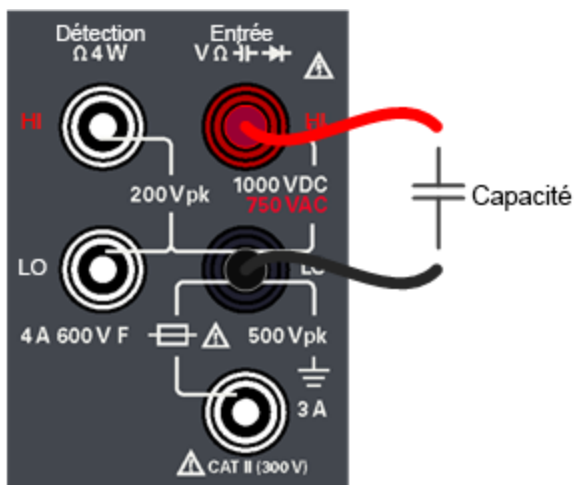
- Plage de mesure : -80,0 °C à 150,0 °C, -110,0 °F à 300,0 °F
- Méthode de mesure : Mesure de résistance en deux fils de capteur de thermistance de 5 k $\Omega$  (E2308A) avec conversion calculée
- Protection d'entrée : 1 000 V (borne HI)
- Accessoire en option : Sonde de température à thermistance E2308A

## Mesure de capacité

1. Appuyez sur [Shift] > [Temp] | .



2. Connectez les bornes comme illustré ci-dessous.



3. Lisez l'affichage.

### Paramètres de capacité

- Plage de mesure : 1.000 nF, 10.00 nF, 100.0 nF, 1.000  $\mu$ F, 10.00  $\mu$ F, 100.0  $\mu$ F, 1.000 mF, 10.00 mF
- Réglages par défaut : Détection automatique de plage
- Méthode de mesure : Calculé à partir d'un temps de charge de source de courant continu. Signal de signal typique de 0,12 V à 1,0 VCA
- Protection d'entrée : 1 000 V (borne HI)

## Sélectionner une plage

Vous pouvez laisser le multimètre sélectionner automatiquement la plage à l'aide de la sélection automatique de plages ou sélectionner manuellement une plage fixe. La fonction de réglage automatique de plage est intéressante car elle permet au multimètre de détecter et sélectionner automatiquement la plage qui convient pour chaque mesure. La sélection manuelle de la plage garantit cependant de meilleures performances, car le multimètre n'a pas à déterminer la plage à utiliser pour chaque mesure.

Le réglage par défaut pour toutes les fonctions de mesure est la sélection automatique de plage.

Appuyez sur [ + ] pour désactiver la sélection automatique et choisir manuellement une plage supérieure ou

Appuyez sur [ - ] pour désactiver la sélection automatique et choisir manuellement une plage inférieure.

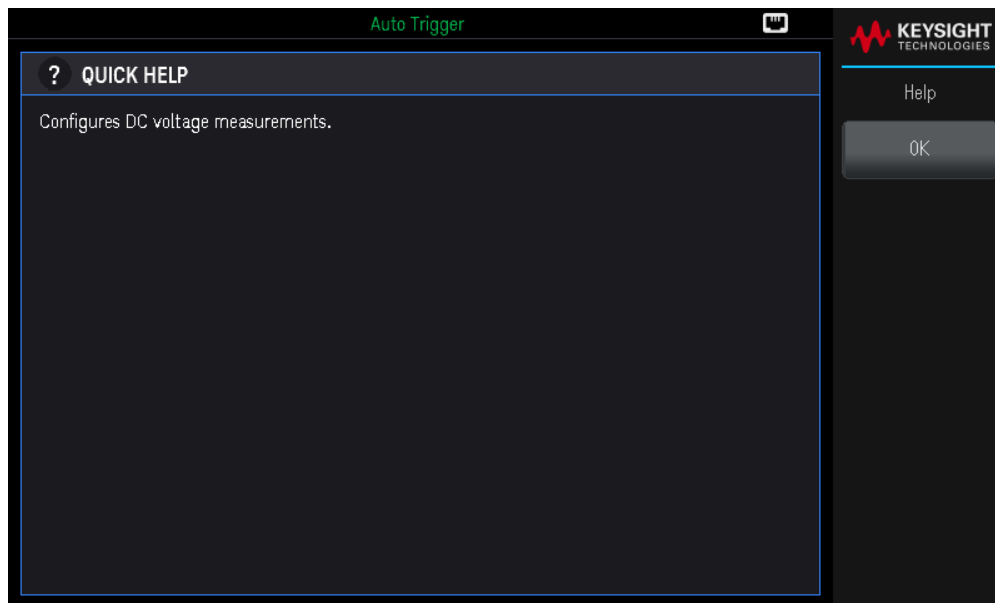
Appuyez sur [Range] pour activer de nouveau la sélection automatique.

## Utiliser le système d'aide intégré

Le système d'aide intégré fournit une aide contextuelle sur toutes les touches de la face avant et les touches de fonction des menus. La liste des rubriques d'aide est également disponible pour vous aider dans les diverses opérations sur le panneau avant.

Afficher l'aide relative à une touche de fonction ou à un bouton

Maintenez enfoncé une touche de fonction ou un bouton du panneau avant (ex. [DCV]).



Si le message contient plus d'informations que ne peut en afficher l'écran, appuyez sur la flèche vers le bas pour afficher les informations restantes.

Appuyez sur **OK** pour quitter l'aide.

**REMARQUE** Aide dans votre langue

Tous les messages, l'aide contextuelle et les rubriques d'aide existent dans les langues suivantes : Anglais, Français, Allemand, Espagnol, Chinois simplifié, Chinois traditionnel, Japonais, Coréen et Russe. Tous les messages, les aides contextuelles et les rubriques d'aide s'affichent dans la langue sélectionnée. Les messages de ligne d'état et les étiquettes des touches de fonction ne sont pas traduits et sont toujours en anglais. Pour sélectionner la langue, appuyez sur **[Shift] > [Store/Recall] | Utility > User Settings > Language**. Sélectionnez ensuite la langue souhaitée.

---

## Connexions de l'interface de commande à distance

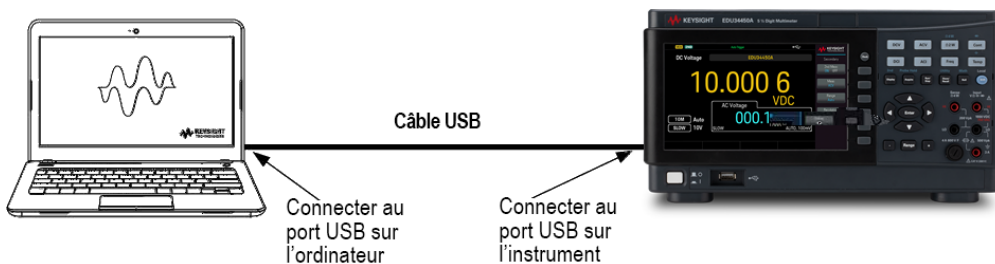
Cette section décrit la procédure à suivre pour connecter les diverses interfaces de communication à votre instrument. Pour de plus amples informations sur la configuration des interfaces de commande à distance, reportez-vous à la section **Configuration de l'interface de commande à distance**.

**REMARQUE** Si vous ne l'avez pas encore fait, installez la suite Keysight IO Libraries, disponible à l'adresse [www.keysight.com/find/iolib](http://www.keysight.com/find/iolib). Pour de plus amples informations sur les connexions des interfaces, reportez-vous au *Guide de connectivité des interfaces USB/LAN/GPIB Keysight Technologies* fourni avec la suite Keysight IO Libraries.

---

## Se connecter à l'instrument par USB

La figure ci-dessous illustre un système d'interface USB classique.



1. Connectez votre instrument au port USB à l'arrière de votre ordinateur à l'aide d'un câble USB.
2. Lorsque l'utilitaire Connection Expert de Keysight IO Libraries Suite est en cours d'exécution, l'ordinateur reconnaît automatiquement l'instrument. Cette opération peut durer quelques secondes. Une fois l'instrument reconnu, votre ordinateur affiche l'alias VISA, la chaîne IDN et l'adresse VISA. Vous pouvez également afficher l'adresse VISA de l'instrument à partir du menu du panneau avant.
3. Vous pouvez désormais utiliser Interactive IO depuis l'utilitaire Connection Expert pour communiquer avec votre appareil, ou le programmer à l'aide des divers environnements de programmation.

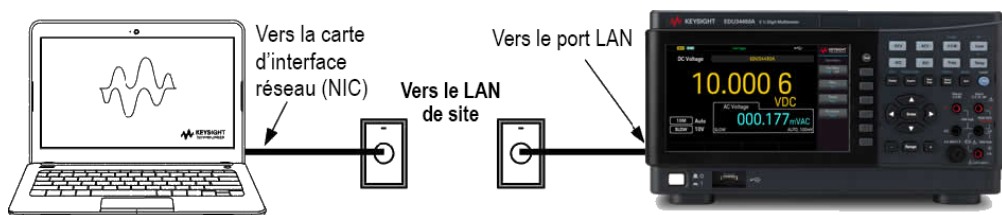
**REMARQUE** Il n'est pas recommandé que le câble USB mesure plus de 3 mètres.

---

## Se connecter à l'instrument par LAN (de site et privé)

### LAN de site

Un **LAN de site** est un réseau local dans lequel des instruments et des ordinateurs compatibles LAN sont connectés au réseau via des routeurs, des concentrateurs et/ou des commutateurs. Il s'agit habituellement de grands réseaux administrés de manière centralisée, avec des services tels que des serveurs DHCP et DNS. La figure ci-dessous illustre un système LAN de site classique.



1. Branchez l'instrument au LAN de site ou à votre ordinateur à l'aide d'un câble LAN. Les paramètres LAN de l'instrument tel qu'expédié sont configurés pour obtenir automatiquement une adresse IP du réseau à l'aide d'un serveur DHCP (le DHCP est activé par défaut). Le serveur DHCP enregistre le nom d'hôte de l'instrument auprès du serveur DNS dynamique. Le nom d'hôte ainsi que l'adresse IP permettent alors de communiquer avec l'appareil. Le voyant LAN du panneau avant s'allume lorsque le port LAN a été configuré.

**REMARQUE** Si vous devez configurer manuellement les paramètres LAN de l'instrument, reportez-vous à la section **Configuration des interfaces de commande à distance** pour de plus amples informations concernant cette configuration depuis le panneau avant de l'instrument.

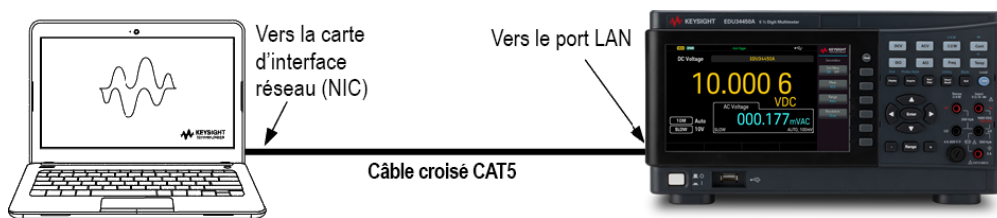
2. Utilisez l'utilitaire Connection Expert de Keysight IO Libraries Suite pour ajouter l'instrument et vérifier une connexion. Pour ajouter l'instrument, demandez à Connection Expert de le rechercher. Si l'appareil demeure introuvable, ajoutez-le à l'aide de son nom d'hôte et de son adresse IP.

**REMARQUE** Si cela ne fonctionne pas, reportez-vous à la section « Instructions de dépannage » dans le *Guide de connectivité des interfaces USB/LAN/GPIB Keysight Technologies* fourni avec la suite Keysight IO Libraries.

3. Vous pouvez désormais utiliser Interactive IO depuis l'utilitaire Connection Expert pour communiquer avec votre appareil, ou le programmer à l'aide des divers environnements de programmation. Vous pouvez également utiliser le navigateur Web de votre ordinateur pour communiquer avec l'instrument comme décrit dans la section Commande à distance.

### LAN privé

Un **LAN privé** est un réseau dans lequel les instruments et ordinateurs compatibles LAN sont directement connectés et non connectés à un LAN de site. Il s'agit habituellement de petits réseaux, sans ressources administrées de manière centralisée. La figure ci-dessous illustre un système LAN privé classique.



1. Connectez l'instrument à l'ordinateur à l'aide d'un câble LAN croisé. Vous pouvez également relier l'ordinateur et l'appareil à un concentrateur ou à un commutateur autonome à l'aide de câbles LAN normaux.

**REMARQUE** Vérifiez que votre ordinateur est configuré pour obtenir son adresse depuis DHCP et que NetBIOS sur TCP/IP est activé. Notez que si l'ordinateur a été connecté à un LAN de site, il peut en avoir conservé les paramètres réseau. Attendez une minute après l'avoir débranché du LAN de site avant de le brancher au LAN privé. Cela permet à Windows de détecter que l'ordinateur est sur un réseau différent et de redémarrer la configuration réseau.

---

2. Les paramètres LAN de l'instrument expédié par l'usine sont configurés pour obtenir automatiquement une adresse IP à partir d'un réseau de site à l'aide d'un serveur DHCP. Vous pouvez laisser ces paramètres tels quels. La plupart des produits Keysight et des ordinateurs choisissent automatiquement une adresse IP via l'option Auto-IP s'il n'existe pas de serveur DHCP. Chacun s'auto-attribue une adresse IP à partir du bloc 169.254.nnn. Notez que cela peut prendre jusqu'à une minute. Le voyant LAN du panneau avant s'allume lorsque le port LAN a été configuré.

**REMARQUE** L'arrêt du DHCP réduit le temps requis pour configurer entièrement une connexion réseau lorsque l'alimentation est sous tension. Pour configurer manuellement les paramètres LAN de l'instrument, reportez-vous à **Configuration de l'interface à distance** pour plus d'informations sur la configuration des paramètres LAN à partir du panneau avant de l'instrument.

---

3. L'utilitaire Connection Expert de la suite Keysight IO Libraries permet d'ajouter l'alimentation et de vérifier la connexion. Pour ajouter l'instrument, demandez à Connection Expert de le rechercher. Si l'appareil demeure introuvable, ajoutez-le à l'aide de son nom d'hôte et de son adresse IP.

**REMARQUE** Si cela ne fonctionne pas, reportez-vous à la section « Instructions de dépannage » dans le *Guide de connectivité des interfaces USB/LAN/GPIB Keysight Technologies* fourni avec la suite Keysight IO Libraries.

---

4. Vous pouvez désormais utiliser Interactive IO depuis l'utilitaire Connection Expert pour communiquer avec votre appareil, ou le programmer à l'aide des divers environnements de programmation. Vous pouvez également utiliser le navigateur Web de votre ordinateur pour communiquer avec l'instrument comme décrit dans la section Commande à distance.



## Configuration de l'interface de commande à distance

L'instrument prend en charge les communications avec l'interface distante sur deux interfaces : USB et LAN. Ces deux interfaces sont « actives » à la mise sous tension.

- Interface USB : Utilisez le port USB du panneau arrière pour communiquer avec votre PC. Aucun paramètre de configuration n'est requis pour l'interface USB. Connectez simplement l'instrument à votre ordinateur via le câble USB.
- Interface au réseau local (LAN) : Utilisez le port LAN du panneau arrière pour communiquer avec votre PC. Par défaut, le protocole DHCP est actif pour permettre les communications sur un réseau local. DHCP est l'abréviation de Dynamic Host Configuration Protocol ; il s'agit d'un protocole d'affectation d'adresses IP dynamiques IP aux périphériques sur un réseau. Avec l'adressage dynamique, un périphérique peut avoir une adresse IP différente chaque fois qu'il se connecte au réseau.

**REMARQUE** Il est recommandé de supprimer toute connexion d'interface distante non utilisée.

---

## Keysight IO Libraries Suite

**REMARQUE** Assurez-vous que la suite Keysight IO Libraries est installée avant de procéder à la configuration de l'interface distante.

---

La suite Keysight IO Libraries est une série de logiciels de commande d'instruments gratuits qui découvre automatiquement des instruments et vous permet de commander des instruments sur LAN, USB, GPIB, RS-232 et d'autres interfaces. Pour plus d'informations ou pour télécharger IO Libraries, rendez-vous à l'adresse [www.keysight.com/find/iosuite](http://www.keysight.com/find/iosuite).

## Configuration LAN

Les paragraphes suivants décrivent les fonctions de configuration du réseau local au moyen du menu du panneau avant.

Par défaut, le protocole DHCP est activé pour permettre les communications sur un réseau local. L'acronyme DHCP signifie Dynamic Host Configuration Protocol ; il s'agit d'un protocole d'attribution d'adresses IP dynamiques à des périphériques sur un réseau. Avec l'adressage dynamique, un périphérique peut avoir une adresse IP différente chaque fois qu'il se connecte au réseau.

Certains paramètres LAN nécessitent de redémarrer l'instrument pour les activer. L'instrument affiche brièvement un message dans ce cas ; examinez donc attentivement l'écran lorsque vous modifiez les paramètres du réseau.

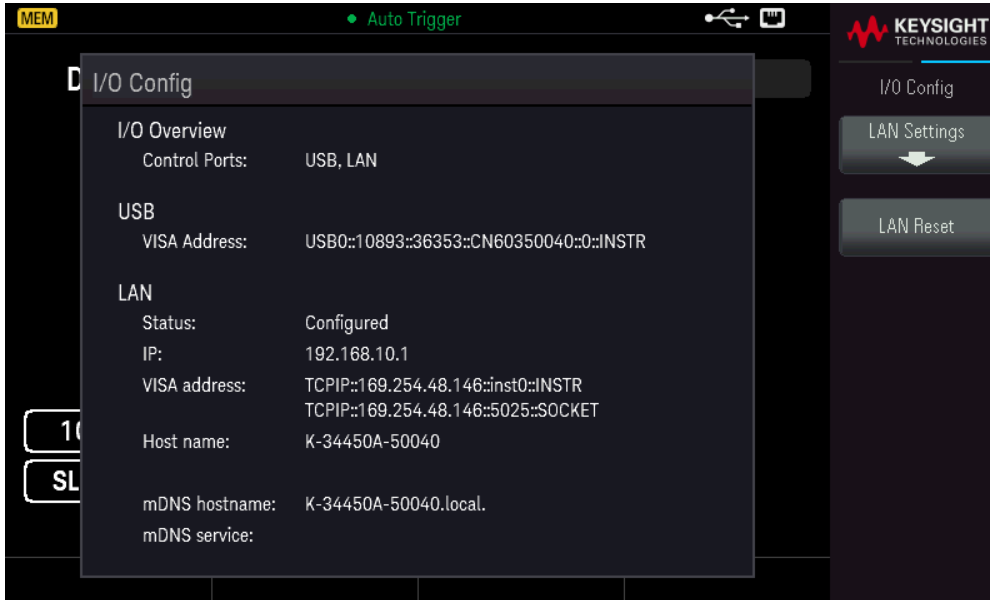
**REMARQUE** Après avoir modifié les paramètres du LAN, vous devez enregistrer les modifications. Appuyez sur **Apply** (Appliquer) pour enregistrer le réglage. Si vous n'enregistrez pas le réglage, en quittant le menu Config. d'E/S, vous serez invité à cliquer sur **Yes** pour enregistrer le réglage LAN ou sur **No** pour quitter sans enregistrer. Sélectionnez **Yes** pour remettre l'instrument sous tension et activer les paramètres. Les paramètres du LAN ne sont pas volatiles. Ils ne sont pas modifiés après une remise sous tension ou la commande \*RST. Si vous ne souhaitez pas enregistrer vos modifications, appuyez sur **No** pour annuler toutes les modifications.

---

## Afficher les paramètres LAN

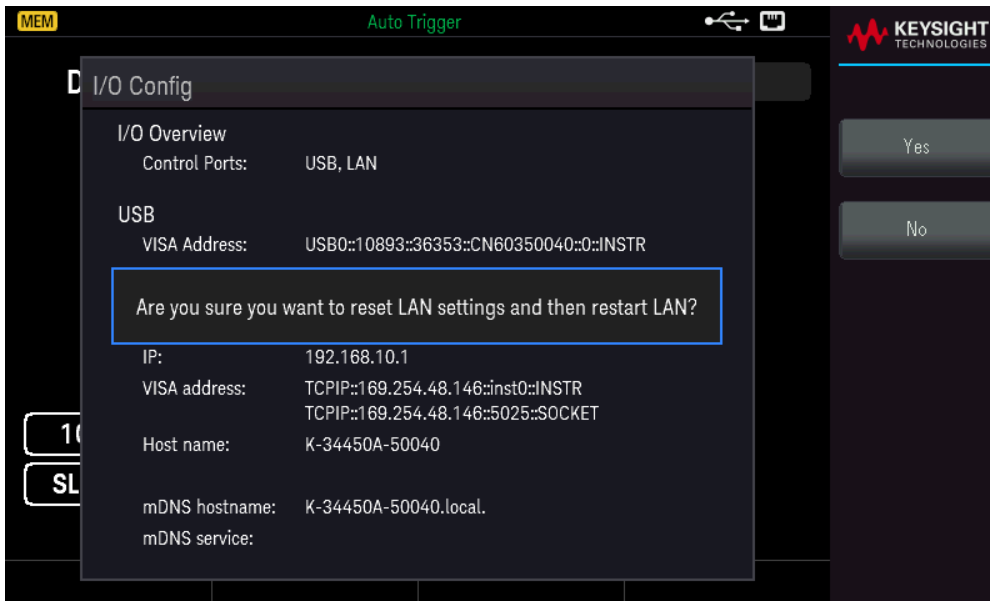
Appuyez sur **[Shift]** > **[Store/Recall]** | **Utility** > **I/O Config** pour afficher les paramètres LAN.

L'état LAN peut être différent des paramètres du menu de configuration du panneau avant - en fonction de la configuration du réseau. Les paramètres sont différents lorsque le réseau a affecté les siens automatiquement.



Appuyez sur **LAN Settings** pour accéder au menu Paramètres LAN. Voir **Modifier les paramètres LAN** pour plus d'informations.

Appuyez sur **LAN Reset** pour restaurer les paramètres LAN par défaut.

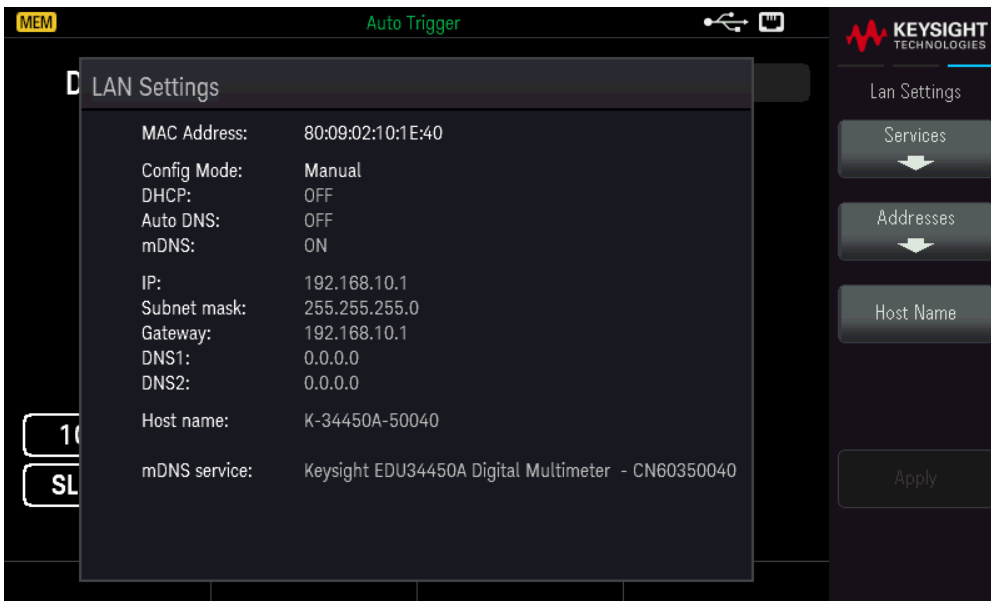


## Modifier les paramètres LAN

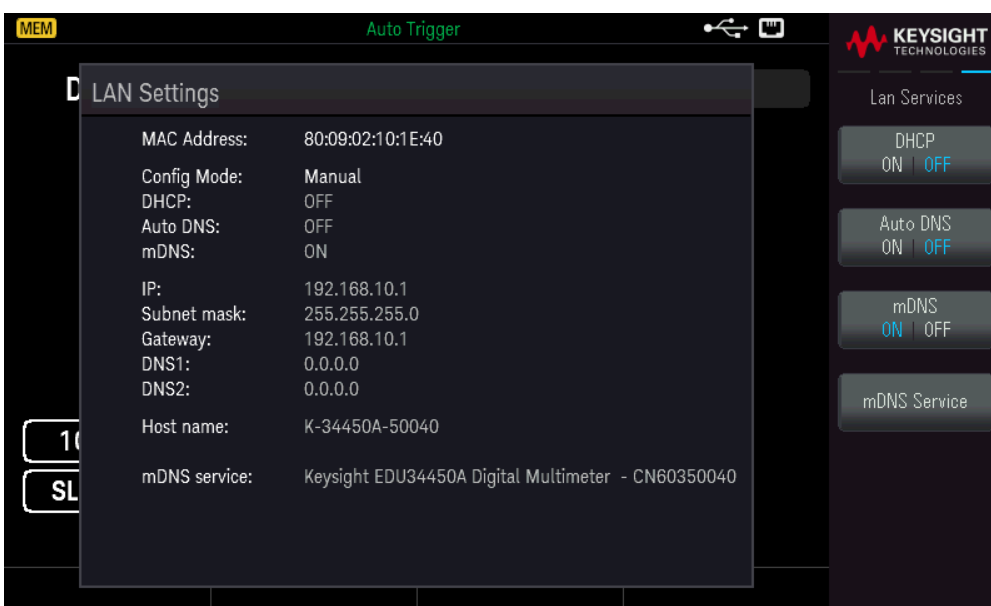
Les paramètres pré configurés en usine de l'instrument fonctionnent avec la plupart des environnements de réseau local. Reportez-vous aux « paramètres non volatiles » dans le *Guide de programmation* pour obtenir des informations sur les paramètres LAN définis en usine.

1. Accédez au menu des paramètres LAN.

Appuyez sur la touche de fonction **LAN Settings**.



Sélectionnez **Services** pour activer ou désactiver les divers services LAN.

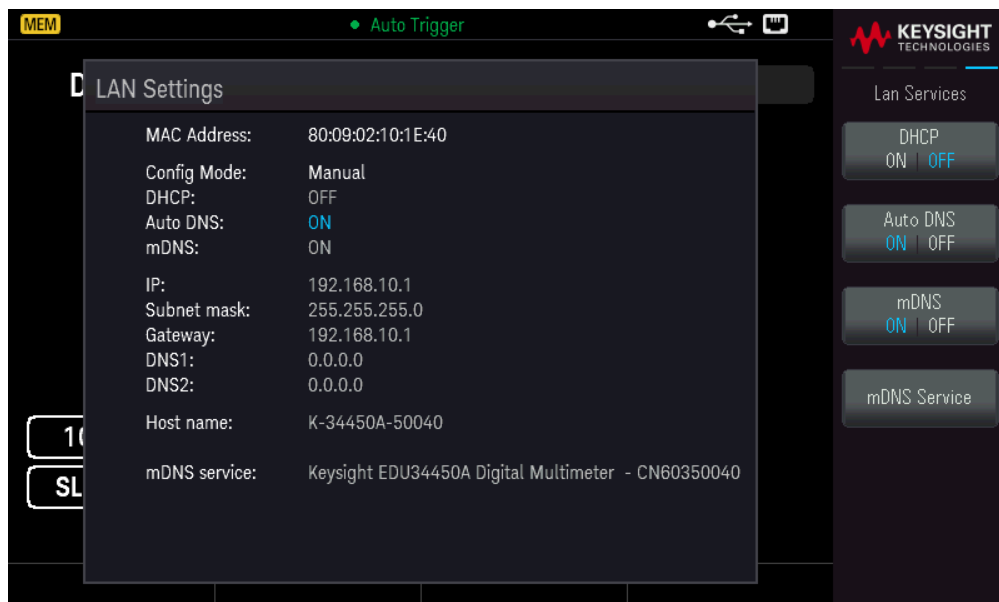


Si l'option DHCP est activée, une adresse IP est automatiquement configurée par DHCP (Dynamic Host Configuration Protocol) lorsque vous connectez l'instrument au réseau, si le serveur DHCP existe et peut effectuer cette

opération. Le protocole DHCP se charge également du masque de sous-réseau et de l'adresse de la passerelle si nécessaire. Il s'agit de la manière la plus facile d'établir les communications avec le réseau local pour votre instrument. Il vous suffit de laisser activée l'option DHCP. Contactez votre administrateur réseau pour plus d'informations.

2. Spécifiez une « Configuration IP ».

.Si vous n'utilisez pas l'option DHCP (utilisez la touche de fonction **Services** pour placer **DHCP** sur **OFF**), vous devez spécifier une configuration IP, y compris une adresse IP, et éventuellement un masque de sous-réseau et l'adresse d'une passerelle.



Appuyez sur **[Back]** > **Addresses** > **Modify** pour configurer l'adresse IP, le masque de sous-réseau et l'adresse de passerelle.



Contactez votre administrateur réseau pour connaître l'adresse IP, le masque de sous-réseau et la passerelle à utiliser.

**Adresse IP** : Toutes les adresses IP sont exprimées sous la forme de notation par points « nnn.nnn.nnn.nnn » où

« nnn » est la valeur d'un octet de 0 à 255. Vous pouvez entrer une nouvelle adresse IP à l'aide des touches fléchées. Appuyez sur **Previous** ou **Next** pour passer le curseur au champ suivant ou précédent. **Ne saisissez pas de zéro au début des nombres.**

**Masque de sous-réseau** : Le masque de sous-réseau permet à l'administrateur réseau de sous-diviser un réseau pour simplifier sa gestion et minimiser le trafic sur le réseau. Le masque de sous-réseau indique la partie de l'adresse de l'hôte utilisée pour désigner le sous-réseau. Utilisez les touches fléchées pour saisir une nouvelle adresse de masque de sous-réseau. Appuyez sur **Previous** ou **Next** pour passer le curseur au champ suivant ou précédent.

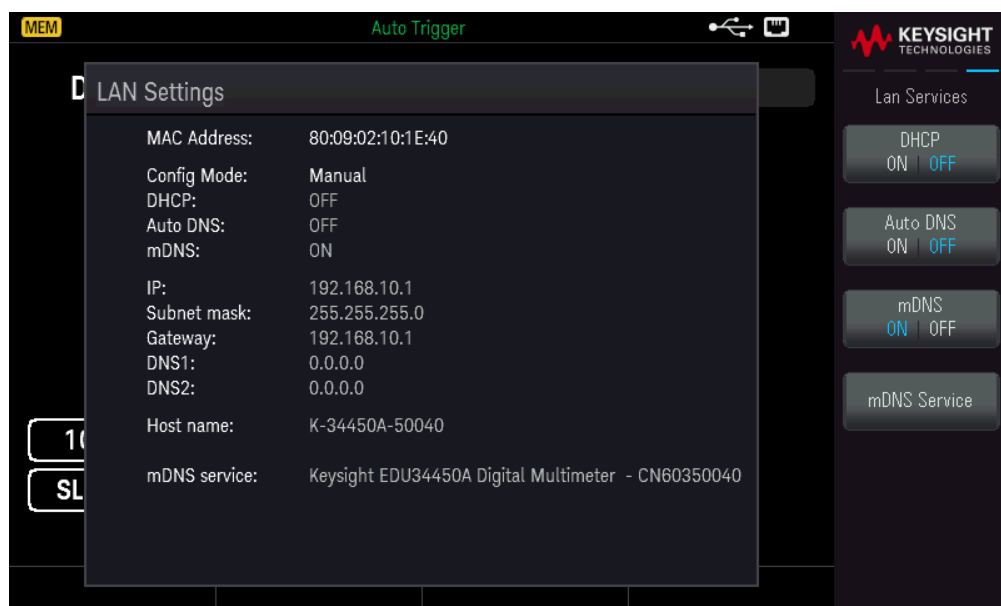
**Passerelle** : Une passerelle est un périphérique de connexion au réseau. La passerelle par défaut est l'adresse IP de ce périphérique. Utilisez les touches fléchées pour saisir une nouvelle adresse de passerelle. Appuyez sur **Previous** ou **Next** pour passer le curseur au champ suivant ou précédent.

Appuyez sur **Apply** pour enregistrer vos modifications.

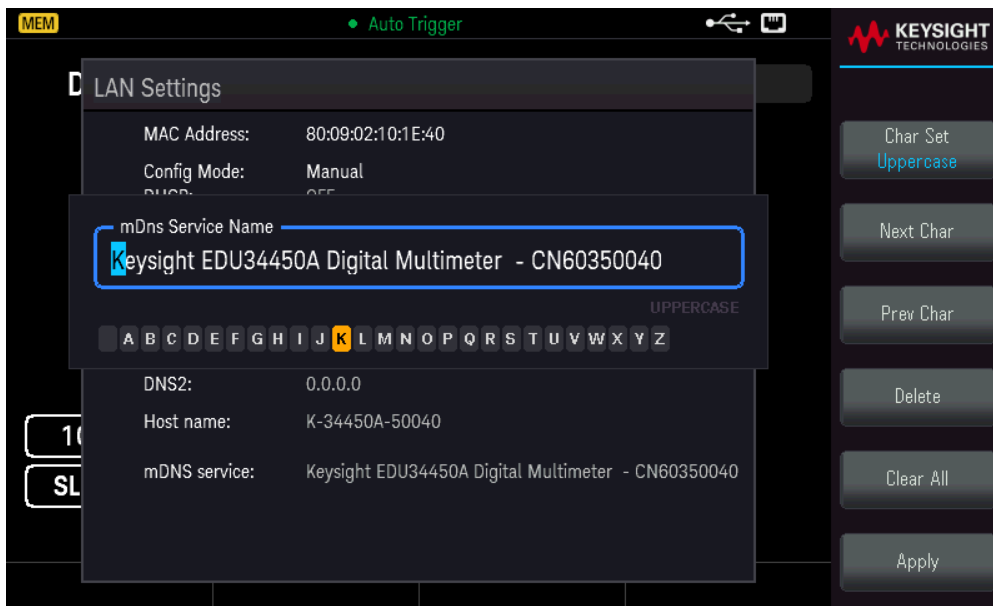
### 3. Configurer le « Paramétrage DNS » (facultatif)

DNS (Domain Name Service) est un service Internet qui traduit les noms de domaine en adresses IP. Demandez à votre administrateur réseau si ce service est utilisé ; si c'est le cas, demandez le nom de l'hôte, le nom du domaine et l'adresse du serveur à utiliser.

Normalement, DHCP recherche l'adresse DNS ; il vous suffit d'indiquer si le protocole DHCP est inutilisé ou non fonctionnel. Pour configurer manuellement l'adressage de l'instrument, utilisez la touche de fonction **Services** pour passer **Auto DNS** sur **OFF**.



a. Configurez le nom de l'hôte (« hostname »). Appuyez sur **[Back]** > **Host Name** et entrez le nom d'hôte. Un nom d'hôte est la partie hôte du nom du domaine qui est convertie en adresse IP. Le nom d'hôte est saisi sous forme de chaîne à l'aide des touches de fonction fournies. Le nom de l'hôte peut contenir des lettres, des chiffres et des tirets (« - »). Appuyez sur **Apply** pour enregistrer vos modifications.



L'instrument est livré avec un nom d'hôte par défaut au format suivant : K-{numérodemodèle}-{numérodesérie}, où {numérodemodèle} représente le numéro de modèle de l'instrument à 6 caractères (par exemple 33212A), et {numérodesérie} correspond aux cinq derniers caractères du numéro de série de l'instrument (par exemple 45678 si le numéro de série est CN12345678).

b. Configurez les adresses « Serveur DNS ». Appuyez sur **[Back]**. Appuyez sur **Adresses > Modifier** pour configurer les adresses du serveur DNS.

Saisissez le DNS primaire (**DNS1**) et le DNS secondaire (**DNS2**). Utilisez les touches fléchées pour saisir une nouvelle adresse de serveur DNS. Appuyez sur **Previous** ou **Next** pour passer le curseur au champ suivant ou précédent. Consultez votre administrateur réseau pour de plus amples informations.





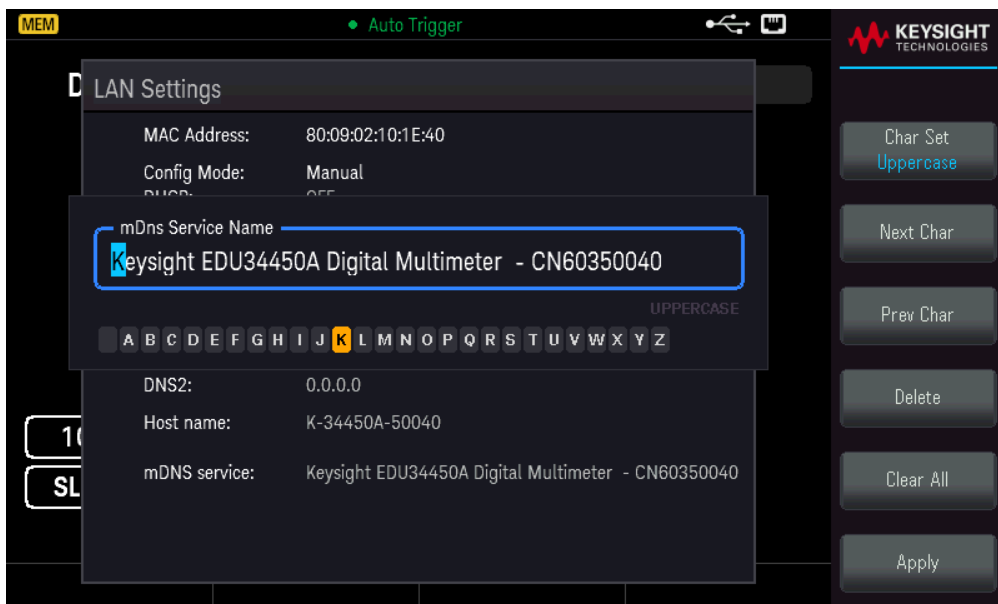
#### 4. Configurer le service mDNS (facultatif).

Votre instrument reçoit en usine un nom de service mDNS unique que vous pouvez changer. Le nom de service mDNS doit être unique sur le LAN.

Pour configurer manuellement le nom de service de l'instrument, utilisez la touche de fonction **Services** pour régler mDNS sur **ON**.



Appuyez sur **mDNS Service**.



Utilisez les touches de fonction fournies pour définir un nom de service souhaité. Le nom doit commencer par une lettre ; les autres caractères peuvent être des majuscules ou des minuscules, des chiffres ou le caractère de soulignement (« - »). Appuyez sur **Apply** pour enregistrer vos modifications.

## Services de socket SCPI

Cet instrument permet d'établir toute combinaison allant jusqu'à deux sockets de données simultanés, un socket de contrôle et des connexions telnet.

Les instruments Keysight ont normalisé l'utilisation du port 5025 pour les services de socket SCPI. Un socket de données sur ce port permet d'émettre ou de recevoir des commandes, des demandes et des réponses ASCII/SCPI. Toutes les commandes doivent se terminer par une nouvelle ligne pour le message à traiter. Toutes les réponses doivent également se terminer par une nouvelle ligne.

L'interface de programmation par sockets permet en outre une connexion par socket de contrôle. Le socket de contrôle permet aux clients d'envoyer des commandes Device Clear et de recevoir des demandes de service. Contrairement au socket de données, qui utilise un numéro de port fixe, le numéro de port d'un socket de contrôle varie et doit être obtenu en envoyant la requête SCPI suivante au socket de données :

```
SYSTem:COMMunicate:TCPIp:CONTRol?
```

Après avoir obtenu le numéro de port, ouvrez une connexion par socket de contrôle. Comme avec le socket de données, toutes les commandes envoyées au socket de contrôle doivent se terminer par une nouvelle ligne, et toutes les réponses renvoyées par le socket de contrôle sont terminées par une nouvelle ligne.

Pour envoyer un périphérique à supprimer, envoyez la chaîne « DCL » au socket de contrôle. Lorsque le système d'alimentation a terminé d'exécuter la suppression de l'appareil, il renvoie la chaîne « DCL » au socket de contrôle.

Les demandes de service sont activées pour les sockets de contrôle à l'aide du registre d'activation des demandes de service. Dès que les demandes de service ont été activées, le programme client écoute la connexion de contrôle. Lorsque SRQ devient vrai, l'instrument envoie la chaîne « SRQ +nn » au client. « nn » représente la valeur de l'octet d'état, que le client peut utiliser pour déterminer la source de la demande de service.

## En savoir plus sur les adresses IP et leur notation

Les adresses notées par points (« nnn.nnn.nnn.nnn » où « nnn » est la valeur d'un octet comprise entre 0 et 255) doivent être soigneusement exprimées du fait que la plupart des logiciels des PC interprètent les octets avec des zéros initiaux comme des nombres en base 8. Par exemple, « 192.168.020.011 » est en fait équivalent à la notation décimale « 192.168.16.9 », car « .020 » est interprété comme « 16 » en nombre octal et « 011 » comme « 9 ». Pour éviter toute confusion, utilisez uniquement des valeurs décimales comprises entre 0 et 255 sans zéro d'en-tête.

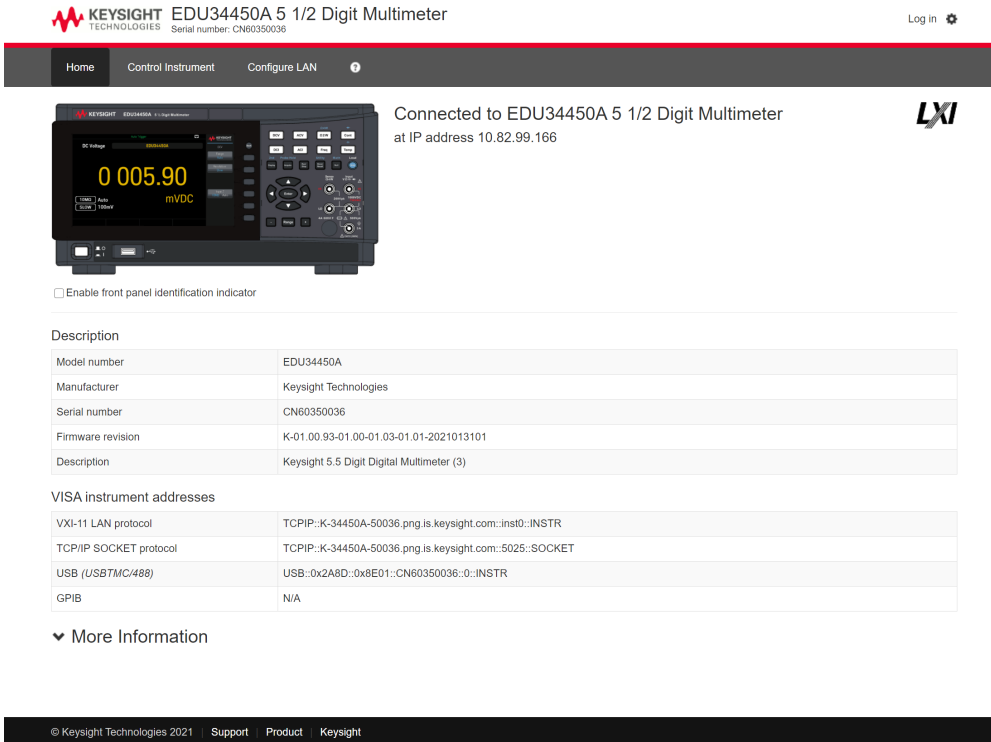
## Commande à distance

Vous pouvez contrôler l'instrument via SCPI à l'aide des bibliothèques Keysight IO Libraries ou via un panneau avant simulé avec l'interface Web de l'instrument.

### Interface Web

Vous pouvez surveiller et contrôler l'instrument à partir d'un navigateur Web en utilisant l'interface Web de l'instrument. Pour vous connecter, saisissez simplement l'adresse IP ou le nom d'hôte de l'instrument dans la barre d'adresse de votre navigateur et appuyez sur Enter.

**REMARQUE** Si vous voyez une erreur indiquant 400 : Requête incorrecte, ceci est lié à un problème avec les « cookies » dans votre navigateur Web. Pour éviter ce problème, démarrez l'interface Web en utilisant l'adresse IP (pas le nom d'hôte) dans la barre d'adresse ou effacez les cookies de votre navigateur juste avant de lancer l'interface Web.



KEYSIGHT TECHNOLOGIES EDU34450A 5 1/2 Digit Multimeter  
Serial number: CN60350036

Log in

Home Control Instrument Configure LAN

Connected to EDU34450A 5 1/2 Digit Multimeter  
at IP address 10.82.99.166

Enable front panel identification indicator

Description

Model number	EDU34450A
Manufacturer	Keysight Technologies
Serial number	CN60350036
Firmware revision	K-01.00.93-01.00-01.03-01.01-2021013101
Description	Keysight 5.5 Digit Digital Multimeter (3)

VISA instrument addresses

VXI-11 LAN protocol	TCPIP::K-34450A-50036.png.is.keysight.com::inst0::INSTR
TCP/IP SOCKET protocol	TCPIP::K-34450A-50036.png.is.keysight.com::5025::SOCKET
USB (USBTMC/488)	USB::0x2A8D::0x8E01::CN60350036:0::INSTR
GPIB	N/A

More Information

© Keysight Technologies 2021 | Support Product Keysight

L'onglet **Configure LAN** en haut vous permet de modifier les paramètres du réseau local de l'instrument ; soyez prudent lorsque vous faites cela, car vous pouvez interrompre votre communication avec l'instrument.

Lorsque vous cliquez sur l'onglet **Control Instrument**, l'instrument vous demandera un mot de passe (la valeur par défaut est *keysight*), cela ouvrira une nouvelle page, représentée ci-dessous.



Warning: Should network communication issues occur, the reported readings and instrument configuration settings shown in the Soft Front Panel may not represent the actual readings or instrument state. Do not rely on the reported readings from the Soft Front Panel to determine if a circuit that may have hazardous voltages present is safely de-energized.  
Note: Please allow some time for the page to be reloaded after pressing any key. Press F5 for immediate page reload.



Screen Capture

Cette interface vous permet d'utiliser l'instrument comme vous le feriez à partir du panneau avant.

**AVERTISSEMENT LIRE L'AVERTISSEMENT**

Veillez à lire et à comprendre l'avertissement en haut de la page Instrument de contrôle.

### Détails techniques de la connexion

Dans la plupart des cas, vous pouvez vous connecter facilement à l'instrument avec la suite IO Libraries ou l'interface Web. Dans certaines circonstances, il peut être utile de connaître les informations suivantes.

Interface	Détails
VXI-11 LAN	Chaîne VISA : TCPIP0::<Adresse IP>::inst0::INSTR Exemple : TCPIP0::192.168.10.2::inst0::INSTR
IU Web	Numéro de port 80, URL http://<Adresse IP >/
USB	USB0::0x2A8D::<ID Prod>::Numéro de série::0::INSTR Exemple : USB0::0x2A8D::0x08E01::CN12340005::0:: INSTR L'identifiant du fournisseur : 0x2A8D, l'ID du produit est 0x8E01, et le numéro de série de l'instrument est CN12340005.

# 3 Fonctions et caractéristiques

Affichage secondaire

Fonctions mathématiques

Acquérir

Probe Hold

Exécuter/Arrêter

Menu des utilitaires

Enregistrer/rappeler

Ce chapitre détaille les caractéristiques de l'instrument, y compris l'utilisation des commandes du panneau avant et de l'interface distante. Lisez éventuellement d'abord la rubrique Fonctionnement des menus du panneau avant. Voir le *Guide de programmation EDU34450A* pour plus d'informations sur les commandes et les requêtes SCPI.

## Affichage secondaire

La plupart des fonctions de mesure ont des capacités de mesure ou une plage prédéfinies, qui peuvent être affichées dans le mode de mesures secondaires. Toutes les opérations mathématiques disposent d'opérations prédéfinies affichées sur l'affichage secondaire.

Le tableau ci-dessous montre les différentes fonctions de mesure disponibles sur l'affichage secondaire.

Affichage principal	Affichage secondaire				
	V CC	V CA	I CC	I CA	FREQ
V CC	-	●	●	●	-
V CA	●	-	●	●	●
I CC	●	●	-	-	-
I CA	●	●	-	-	●
FREQ	-	●	-	●	-

- Toutes les spécifications ne sont garanties que sur un seul écran.
- Pour la mesure ICA-VCA (primaire ou secondaire), le signal d'entrée VCA est limité à 500 000 V×Hz.
- Pour la mesure ICC-VCA (primaire ou secondaire), le signal d'entrée VCA est limité à 6 000 000 V×Hz.
- Pour la mesure VCC-VCA (primaire ou secondaire), le signal d'entrée VCC est limité à 500 V lorsqu'un signal d'entrée VCA est dans la plage de 100 mV. Le signal d'entrée VCA doit être supérieur à 50 mV.
- Pour des fréquences opérationnelles de mesure ICA-VCC (primaire ou secondaire), consultez le tableau ci-dessous.

ICA-VCC	Fréquence opérationnelle de mesure
Lente/Moyenne	>500 Hz (600 Hz) / n × 50 Hz (60 Hz) pour <500 Hz
Rapide	>10 kHz / n × 1 kHz pour <10 kHz

- Pour plus d'informations, veuillez consulter la **Considération relative à la vitesse de mesure**.
- Pour une opération à distance, consultez les commandes DISPlay:WINDow2 dans le *Guide de programmation du Keysight EDU34450A*.

### Opérations depuis le panneau avant

Appuyez sur **[Shift]** > **[Display]** > 2nd Meas **ON** | OFF.



- Pour modifier la mesure secondaire, appuyez sur **Meas** pour basculer entre les options disponibles.
- Pour modifier la plage de la mesure secondaire, appuyez sur **Range** pour basculer entre les options disponibles.
- Pour modifier la résolution de la mesure secondaire, appuyez sur **Resolution** pour basculer entre les options disponibles.
- Pour désactiver la mesure secondaire, appuyez sur **2nd Meas ON | OFF**.

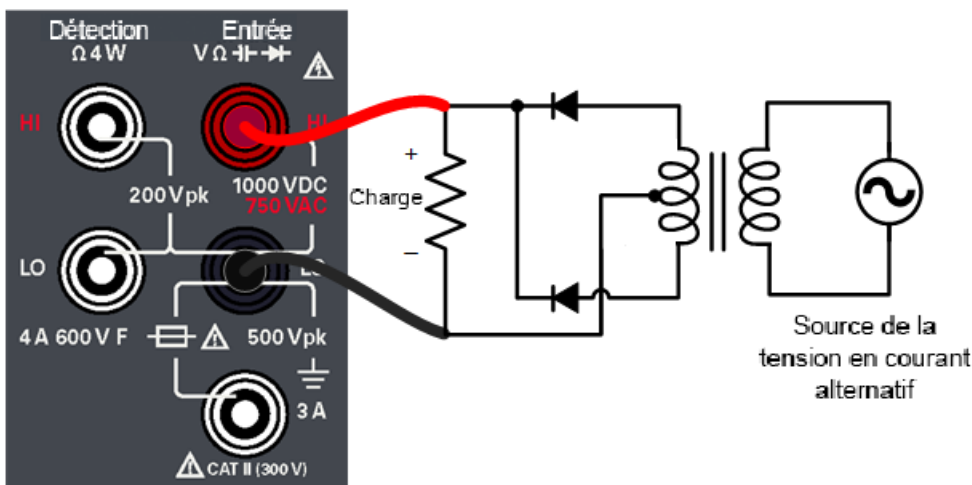
### Exemples de fonctionnement en double affichage

La présente section décrit des opérations pratiques en utilisant la fonction de double affichage.

#### Mesure de la tension CC et de l'ondulation CA sur un circuit de redressement

Une mesure unique pour la tension CC et l'ondulation CA peut être affichée via les deux affichages lorsque vous testez un circuit de redresseur.

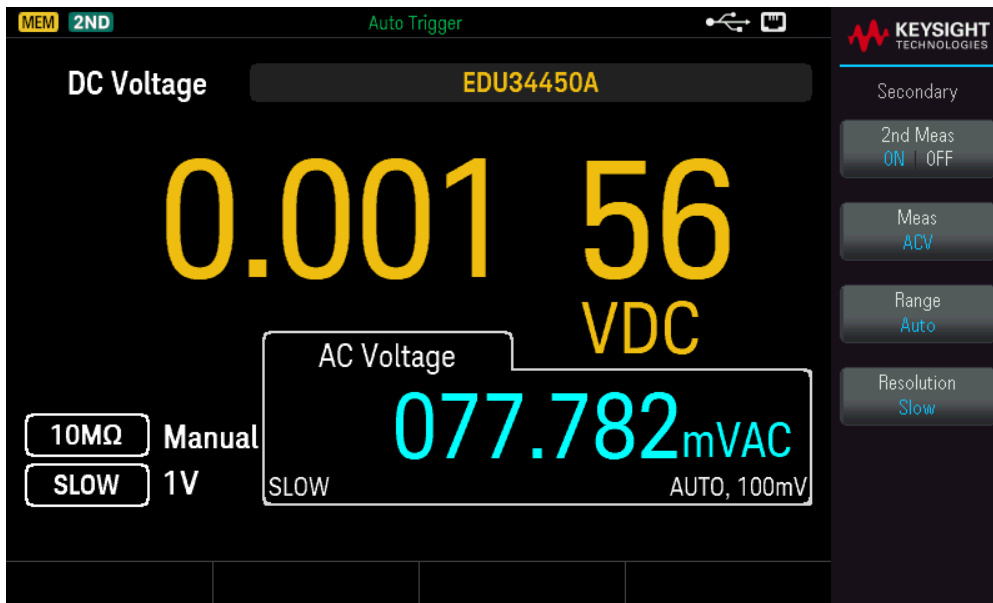
1. Connectez les cordons de test rouge et noir à la borne d'entrée et sondez les points de test.



- Appuyez sur [DCV] pour sélectionner la tension CC comme mesure primaire.



- Appuyez sur [Shift] > [Display] > 2nd Meas ON | OFF pour activer la mesure secondaire.
- Appuyez sur Meas > ACV pour sélectionner la tension alternative comme mesure secondaire.



- Appuyez sur Range et Resolution pour ajuster la plage et la vitesse de mesure en conséquence.



## Opérations mathématiques

Le tableau ci-dessous indique les diverses opérations mathématiques que vous pouvez employer avec chaque fonction de mesure :

Opération mathématique	Fonction de mesure										
	V CC	V CA	I CC	I CA	2RES	4RES	FREQ	DIODE	CONT	TEMP	CAP
Null	●	●	●	●	●	●	●	-	-	●	●
Échelle	●	●	-	-	-	-	-	-	-	-	-
Statistiques	●	●	●	●	●	●	●	-	-	●	●
Limites	●	●	●	●	●	●	●	●	-	●	●

- Vous ne pouvez activer qu'une opération mathématique à la fois.
- Lorsque l'affichage secondaire est activé, il sera éteint en sélectionnant une opération mathématique.
- Il est possible de modifier la plage et la résolution pour toutes les opérations mathématiques.
- Vous pouvez modifier les valeurs référence/décalage/limite utilisées pour les opérations mathématiques Null, Mise à l'échelle et Limites.
- Dans le cas d'un fonctionnement à distance, reportez-vous au sous-système CALCulate dans le *Guide de programmation du EDU34450A*.

### Null

Lorsque vous effectuez des mesures Null, également appelées mesures relatives, chaque résultat correspond à la différence entre une valeur de décalage nulle stockée et le signal d'entrée. L'une des méthodes consiste à accroître la précision d'une mesure d'une résistance 2 fils en ne tenant pas compte de la résistance des cordons de test. Cette méthode est très utile lorsque vous envisagez d'effectuer des mesures de capacité. La formule employée est la suivante :

*Affichage de mesure Null = Lecture – Valeur de décalage Null*

- La valeur de décalage null est réglable. Vous pouvez la définir sur n'importe quelle valeur comprise entre 0 et  $\pm 120\%$  de la plage la plus élevée pour la fonction sélectionnée.
- Lors des mesures de résistance, l'instrument lit une valeur non nulle, même si les deux cordons de test sont en contact direct, en raison de la résistance de ces cordons. Court-circuitez les cordons de test et appuyez sur **[Null]** dès que la valeur affichée est stable, afin d'effectuer l'étalonnage zéro de l'affichage.
- Lors de mesures de tension continue, l'effet thermique limite la précision. Court-circuitez les cordons de test et appuyez sur **[Null]** dès que la valeur affichée est stable, afin d'effectuer l'étalonnage zéro de l'affichage.

### Opérations depuis le panneau avant

Appuyez sur **[Null]** pour activer la fonction mathématique null. La lecture est capturée comme valeur de décalage nulle.



La lecture avant application de la formule mathématique est illustrée sur l’affichage secondaire.

Pour modifier la valeur de décalage Null, appuyez sur **[Shift]** > **[Null]** | **Math** > **Null Offset Value**. Utilisez les touches fléchées pour définir une valeur voulue. Appuyez sur **[Enter]** une fois l’opération terminée.



Pour désactiver l’opération Null, appuyez sur **Null ON | OFF**.

## Échelle

Deux opérations de mise à l'échelle sont disponibles : mise à l'échelle dB et mise à l'échelle dBm. La fonction de mise à l'échelle n'est valable que pour les mesures d'une tension.

### Mise à l'échelle dB

Chaque mesure dB correspond à la différence entre le signal en entrée et une valeur relative enregistrée, les deux valeurs étant converties en dBm. Lorsqu'elle est activée, la fonction dB permet de calculer la valeur dBm pour le résultat suivant, de stocker le résultat en dBm dans le registre de valeurs relatives et d'obtenir immédiatement le résultat du calcul en dB. La formule employée est la suivante :

$$dB = \text{mesure en dBm} - \text{valeur relative en dBm}$$

En ce qui concerne la valeur relative, il peut s'agir d'une valeur comprise entre 0 dBm et  $\pm 120.000$  dBm. La valeur relative par défaut est 0 dBm. Vous pouvez laisser l'instrument calculer automatiquement cette valeur. Vous pouvez également indiquer une valeur déterminée.

La première valeur affichée est toujours 000.00 dB.

### Opérations depuis le panneau avant

Appuyez sur **[Shift]** > **[Null]** | **Math** > **Function** **Scaling** > **Scaling ON** | **OFF**. Puis appuyez sur **Scaling Function** et choisissez **dB** pour lancer l'opération de mise à l'échelle dB.



La lecture avant application de la formule mathématique est illustrée sur l'affichage secondaire.

Pour modifier la valeur de référence dB, appuyez sur **dB Reference Value**. Utilisez les touches fléchées pour définir une valeur voulue. Appuyez sur **[Enter]** une fois l'opération terminée.



Pour désactiver l'opération de mise à l'échelle dB, appuyez sur **Scaling ON | OFF**.

### Mise à l'échelle dBm

L'échelle logarithmique de dBm (décibels par rapport à un milliwatt) est souvent utilisée dans les mesures de signaux RF. L'instrument effectue une mesure et calcule la puissance émise par rapport à une résistance de référence (en principe, 50 Ω, 75 Ω ou 600 Ω). La mesure d'une tension est alors convertie en dBm. La formule employée est la suivante :

$$dBm = 10 \times \log_{10} [(Lecture^2 / R_{REF}) / 0,001 W]$$

Vous pouvez choisir parmi plusieurs valeurs de résistance de référence :

$R_{REF} = 2 \Omega, 4 \Omega, 8 \Omega, 16 \Omega, 50 \Omega, 75 \Omega, 93 \Omega, 110 \Omega, 124 \Omega, 125 \Omega, 135 \Omega, 150 \Omega, 250 \Omega, 300 \Omega, 600 \Omega, 800 \Omega, 900 \Omega, 1\ 000 \Omega, 1200 \Omega,$  ou  $8000 \Omega$ .

### Opérations depuis le panneau avant

Appuyez sur **[Shift] > [Null] | Math > Function Scaling > Scaling ON | OFF**. Appuyez ensuite sur **Scaling Function** et sélectionnez **dBm** pour activer l'opération de mise à l'échelle dBm.



La lecture avant application de la formule mathématique est illustrée sur l'affichage secondaire.

Pour modifier la valeur de référence dBm, appuyez sur **dBm Reference Value**. Utilisez les touches fléchées pour sélectionner une valeur souhaitée.



Pour désactiver l'opération de mise à l'échelle dBm, appuyez sur **Scaling ON | OFF**.

## Limites

L'opération Limite vous permet de valider ou de rejeter des tests compte tenu des limites supérieures et inférieures définies par vos soins. La valeur de la limite supérieure que vous sélectionnez doit être supérieure à celle de la limite inférieure. Par défaut (paramètres d'usine), ces deux valeurs sont nulles.

- Cette opération mathématique est valable pour toutes les fonctions de mesure, hormis les tests de continuité.
- L'instrument efface toutes les limites après une réinitialisation (commande \*RST), une préconfiguration de l'instrument (commande SYSTem:PRESet), ou lorsqu'une fonction de mesure est modifiée.

### Opérations depuis le panneau avant

Appuyez sur **[Shift]** > **[Null]** | **Math** > **Function Limits** > **Limits ON** | **OFF**.

Les valeurs limites et l'état sont visibles au bas de l'écran.

- **PASS** : les résultats se situent dans les limites spécifiées.
- **FAIL-HI** : le résultat dépasse la limite supérieure.
- **FAIL-LO** : le résultat n'atteint pas la limite inférieure.





Pour modifier la valeur limite supérieure, appuyez sur **High Limit**. Utilisez les touches fléchées pour définir une valeur voulue. Appuyez sur **[Enter]** une fois l'opération terminée. La limite supérieure doit toujours être supérieure à la limite inférieure.

Pour modifier la valeur limite inférieure, appuyez sur **Low Limit**. Utilisez les touches fléchées pour définir une valeur voulue. Appuyez sur **[Enter]** une fois l'opération terminée.

Pour activer l'avertisseur sonore, appuyez sur **Beeper ON | OFF**. Chaque fois qu'une valeur en entrée passe du statut « PASS » au statut « HIGH » ou du statut « PASS » au statut « LOW », l'instrument émet un signal sonore. Il en va de même lorsque la valeur passe directement du statut « HIGH » au statut « LOW » et inversement.

Pour désactiver l'opération Limite, appuyez sur **Limits ON | OFF**.

## Statistiques

L'opération Statistiques permet d'enregistrer les valeurs minimale et maximale, la moyenne, ainsi qu'un certain nombre de valeurs lorsque vous effectuez une série de mesures.

- Cette fonction mathématique est valable pour toutes les fonctions de mesure, hormis les tests de continuité et de diodes.
- Les statistiques enregistrées sont effacées dans les cas suivants : vous activez la fonction statistiques, vous utilisez la commande CALCulate:FUNCTION lorsque la commande CALCulate:STATE est activée (ON), vous mettez l'appareil hors tension, vous réinitialisez l'appareil (commande \*RST), vous préconfigurez l'instrument (commande SYSTem:PRESet) ou vous changez de fonction de mesure.

### Opérations depuis le panneau avant

Appuyez sur **[Shift]** > **[Null]** | **Math** > **Function Statistics** > **Statistics ON | OFF**.



Les valeurs minimale, maximale et moyenne, ainsi que le nombre d'échantillons relevés, sont affichés en bas de l'écran.

Pour désactiver les lectures, appuyez sur **Statistics ON | OFF**.

## Acquérir

Le modèle EDU34450A peut fonctionner dans un mode de mesure **Continu** ou **Enregistrement des données**.

### Continu

À la mise sous tension, le mode de mesure par défaut est **Continu**. Les lectures continues sont effectuées le plus rapidement possible selon la configuration de la fonction de mesure sélectionnée. Pour définir la source de déclenchement pour le mode Continu, suivez les étapes suivantes :



1. Configurez le multimètre pour la mesure en choisissant la fonction, la plage, la résolution, etc.
2. Spécifiez le mode de mesure du multimètre. Les choix sont les suivants :
  - Un déclencheur interne **Immédiate** (par défaut).
  - Un déclencheur manuel ou par logiciel (**Bus**) depuis l'interface de commande à distance.
3. Vérifiez que le multimètre est configuré pour autoriser un déclenchement depuis la source indiquée (appelée attente de déclenchement).

### Déclenchement immédiat



En mode de déclenchement continu, le signal du déclenchement est toujours présent. Lorsque vous mettez le multimètre en attente, le déclenchement est immédiat. Il s'agit de la source de déclenchement par défaut pour l'interface de commande à distance.

### Depuis l'interface distante

La commande suivante permet de sélectionner la source de déclenchement immédiat : TRIGger:SOURce IMMEDIATE

Les commandes CONFigure and MEASure? définissent automatiquement la source de déclenchement sur IMMEDIATE.

Reportez-vous au *Guide de programmation Keysight EDU34450A* pour obtenir une description complète de ces commandes et connaître la syntaxe associée.

### Déclenchement par logiciel (Bus)

*La source de déclenchement par logiciel (Bus) ne peut être activée que par le biais de SCPI.*

L'instrument se déclenche automatiquement dès que vous envoyez une commande de déclenchement par bus.

- La commande TRIGger:SOURce BUS permet de sélectionner la source de déclenchement via le bus.

- La commande MEASure? permet de remplacer le déclenchement de type BUS, de déclencher le multimètre et de renvoyer une mesure.
- La commande READ? ne permet pas de remplacer la fonction de déclenchement via le BUS. Si vous l'employez, vous obtenez un message d'erreur. Elle permet uniquement de déclencher l'instrument et d'obtenir une mesure lorsque vous sélectionnez le déclenchement IMMEDIATE.
- La commande INITiate permet uniquement d'indiquer que vous souhaitez effectuer une mesure. Vous devez utiliser un déclencheur (BUS ou IMMEDIATE) pour effectuer cette mesure.

Reportez-vous au *Guide de programmation Keysight EDU34450A* pour obtenir une description complète de ces commandes et connaître la syntaxe associée.

## Enregistrement de données

Le mode de mesure **Enregistrement de données** est disponible uniquement sur le panneau avant du multimètre. Le mode d'enregistrement de données affiche une interface utilisateur sur le panneau avant, vous permettant de définir l'enregistrement des données dans la mémoire non volatile de l'instrument, sans programmation et sans connexion à un ordinateur. Une fois que vous avez terminé la collecte des données, vous pouvez les afficher dans le panneau avant ou les afficher depuis votre ordinateur (DATA:DATA? NVMEM).

### Opérations depuis le panneau avant

Pour sélectionner le mode de mesure d'enregistrement des données, appuyez sur [Acquire] > **Acquire Continuous** > **Acquire Data Log**.



Vous pouvez alors choisir l'intervalle d'échantillon (le temps entre les mesures, par ex. 500 ms), la durée, à savoir une quantité de temps ou un nombre de lectures et s'il faut redémarrer après un certain délai.

- Appuyez sur **Trigger Delay** pour définir le délai (0 à 3 600 secondes) entre l'initiation d'un déclencheur et une première lecture par la fonction d'enregistrement des données. La plus petite résolution de délai est de 100 µs.

- Appuyez sur **Trigger Count** pour définir le nombre total de déclencheurs reçus. Il peut être configuré entre 1 et 5 000 déclencheurs pour une mesure à un seul affichage et 2 500 déclencheurs pour une mesure à double affichage.
- Appuyez sur **Sample Interval** pour définir le délai (maximum 3 600 secondes) entre des lectures successives. La plus petite résolution est de 100  $\mu$ s. L'intervalle minimum dépend de la configuration et peut être inférieur à 1 s.
- Appuyez sur **Sample Count** pour préciser le nombre de lectures (échantillons) que l'instrument prendra par déclencheur. Le nombre total de lectures renvoyées sera le produit du comptage de l'échantillon et du comptage du déclencheur. (Nombre de lectures = nombre d'échantillons x nombre de déclencheurs).

Après avoir configuré les paramètres d'enregistrement des données, appuyez sur **Data Log ON |OFF** pour activer l'enregistrement des données.

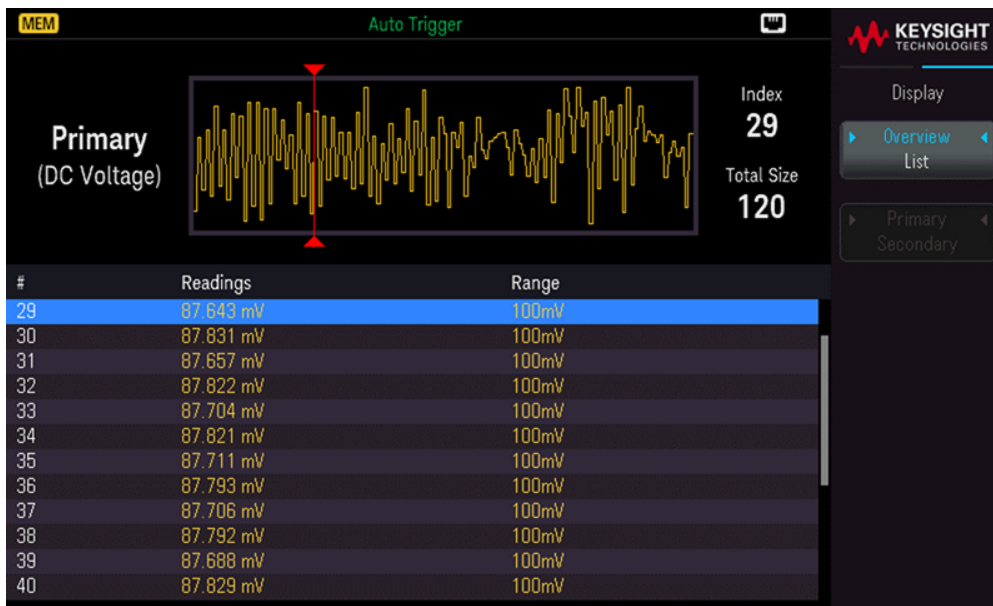


Appuyez sur **[Run/Stop]**. L'enregistrement des données commencera immédiatement ou après le délai de déclenchement spécifié (si le nombre de déclencheurs est > 1).

L'enregistrement des données s'arrêtera dès que le nombre spécifié de lectures (nombre d'échantillons) est effectué.

### Afficher les lectures de données enregistrées

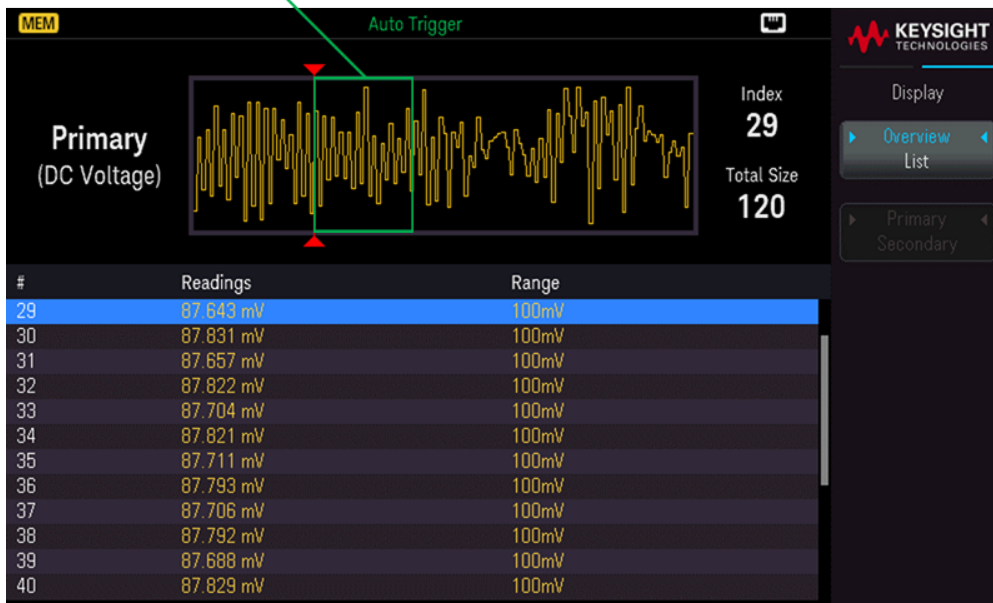
Appuyez sur **[Display] > View Log** pour afficher les lectures de données enregistrées. 12 points de données sont affichés à la fois.



Utilisez les touches fléchées [Down] ou [Up] pour surligner le point de données suivant ou précédent. Les touches fléchées [Right] ou [Left] affichent la page suivante ou précédente.

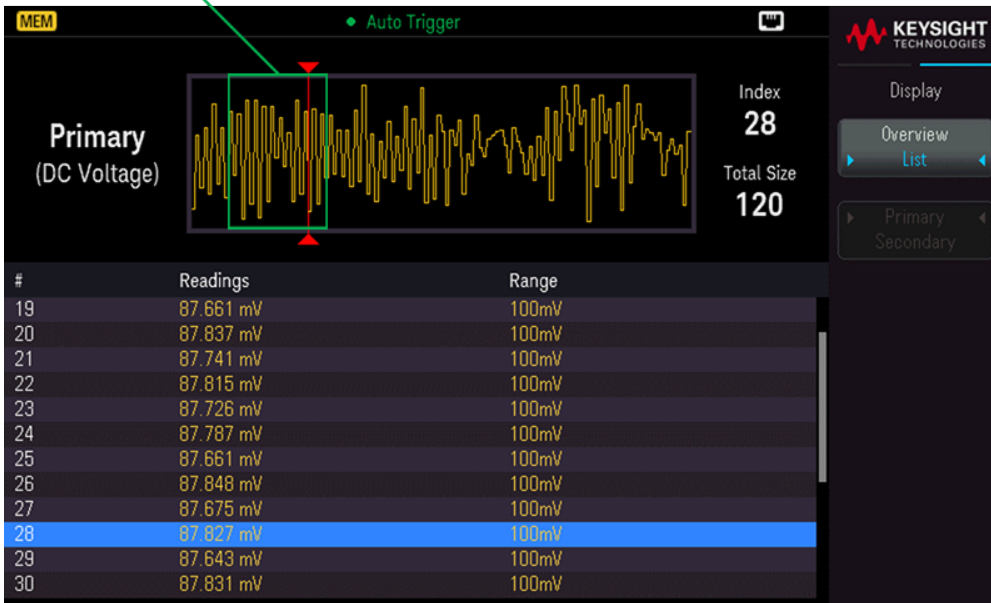
- **Overview** affiche toujours les 12 prochains points de données.

Overview coverage



- **List** vous permet de naviguer parmi les points de données affichés.

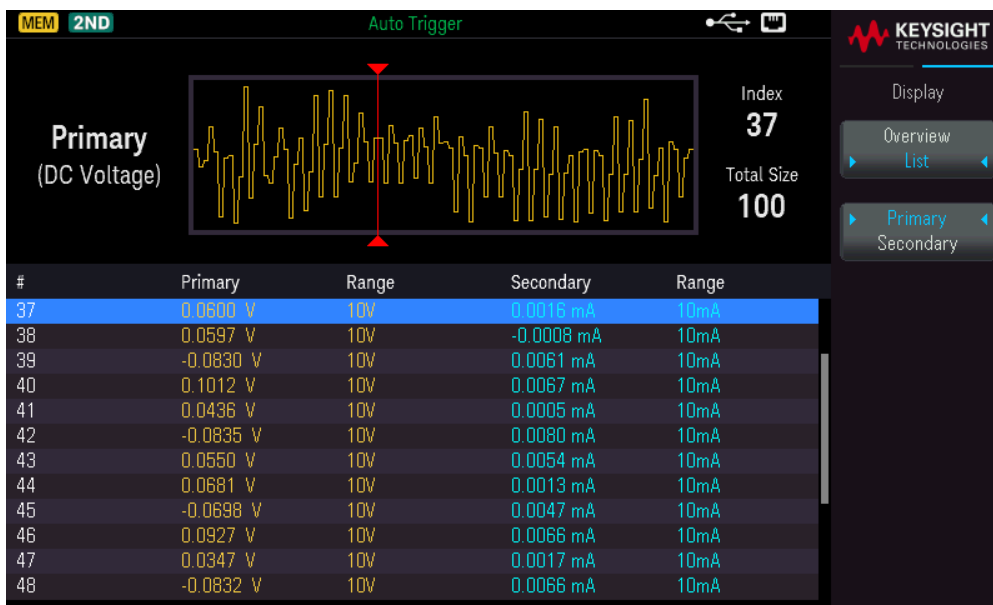
List coverage

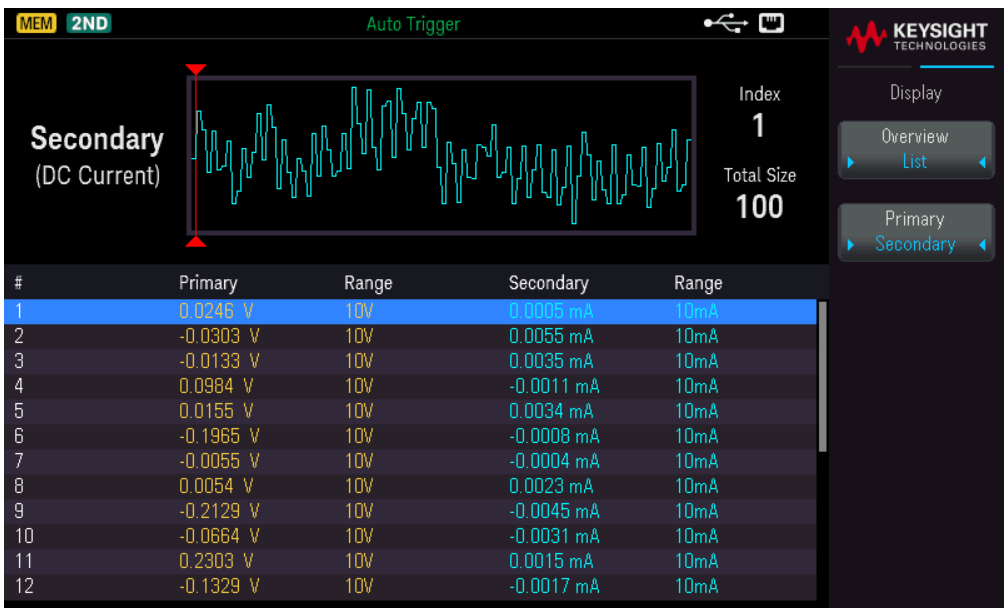


Vous pouvez enregistrer les données depuis les mesures primaire et secondaire si **Secondary Display** est activé.



Appuyez sur **Primary** | **Secondary** pour basculer entre les lectures de l'affichage primaire (en jaune) et secondaire (en bleu).





## Probe Hold

La fonction Probe Hold vous permet de capturer et de retenir une valeur sur l'affichage du panneau avant. Cette fonction est utile lorsque vous souhaitez retenir une valeur, retirer les sondes de test et conserver cette valeur dans la zone d'affichage.

- Lorsqu'il détecte une valeur stable, l'instrument émet un signal sonore (si cette fonction est activée) et conserve cette valeur dans l'affichage primaire. La variation prédéfinie correspond à 10 % de la pleine échelle.
- Une nouvelle valeur de lecture est capturée lorsque la variation de la valeur mesurée dépasse la variation prédéfinie. L'instrument émet un signal sonore (si cette fonction est activée) lorsqu'une lecture capturée est mise à jour.
- Si la valeur de lecture ne se stabilise pas (en cas de dépassement de la variation prédéfinie), la valeur de lecture ne sera pas mise à jour.

Lorsque cette fonction est activée, l'instrument commence à évaluer les lectures à l'aide des règles décrites ci-dessous :

$$\text{Affichage primaire} = \text{Lecture}_N \text{ IF } \text{Max}() - \text{Min}() \leq 0.1 \% \times \text{Lecture}_N$$

La décision de mettre à jour une nouvelle valeur de lecture dans l'affichage primaire repose sur les statistiques mobiles à cocher de la lecture actuelle et des trois lectures précédentes :

$$\text{Max} (\text{Lecture}_N \text{ Lecture}_{N-1} \text{ Lecture}_{N-2} \text{ Lecture}_{N-3})$$

$$\text{Min} (\text{Lecture}_N \text{ Lecture}_{N-1} \text{ Lecture}_{N-2} \text{ Lecture}_{N-3})$$

### Opération depuis le panneau avant

Appuyez sur **[Shift]** > **[Acquire]** | **Probe Hold**.



La lecture capturée est visible au bas de l'écran. La lecture en direct est présentée en haut à gauche de l'écran.



- Appuyez sur [–] ou [+] pour diminuer ou augmenter la plage de mesure manuellement. Appuyez sur **[Range]** pour activer la détection automatique de la plage.
- Appuyez sur **Resolution** pour basculer la résolution entre **Slow** ou **Medium**.
- Appuyez sur **Remove Last** pour supprimer la dernière lecture capturée.
- Appuyez sur **Clear Readings** pour supprimer toutes les lectures capturées.
- Pour activer l'avertisseur sonore, appuyez sur **Beeper ON | OFF**. Lorsqu'une lecture stable est détectée ou lorsque la lecture capturée est mise à jour, l'instrument émet un signal sonore.

## Exécuter/Arrêter

- En appuyant sur **[Run/Stop]** en mode de mesure **d'enregistrement des données**, l'enregistrement des données commence lorsque le délai spécifié s'est écoulé.
- L'enregistrement des données s'arrête une fois que la durée spécifiée (temps ou nombre de lectures) est écoulée ou après avoir appuyé longuement sur **[Run/Stop]**.

## Menu des utilitaires

Appuyez sur [Shift] > [Store/Recall] | Utility.



Le menu **Utilities** offre les fonctions suivantes :

Configure les paramètres d'E/S pour les opérations à distance

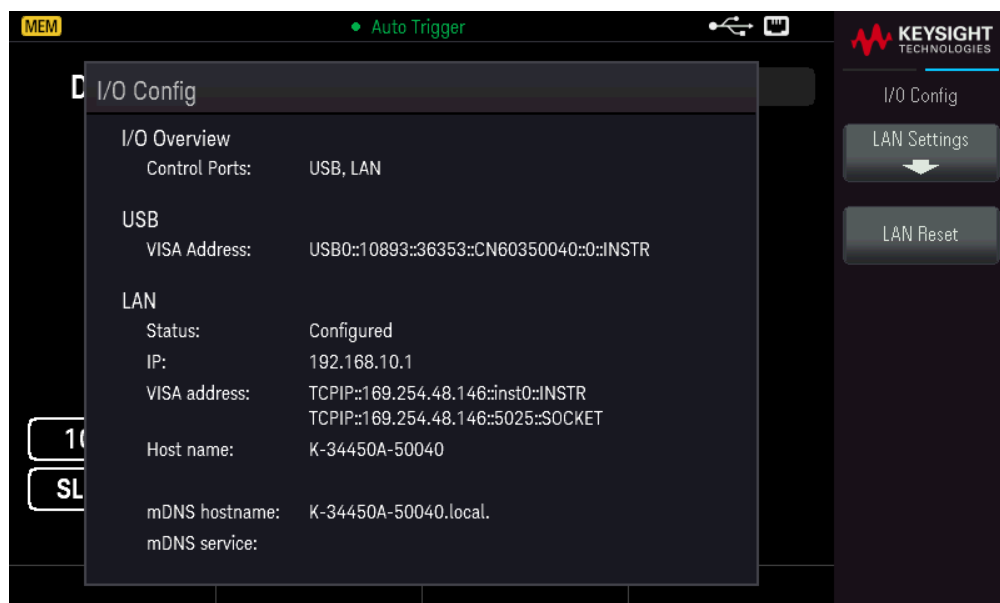
Fournit un accès aux fonctions d'auto-test, d'étalonnage et de sécurité

Spécifie les préférences de l'utilisateur qui contrôlent la façon dont vous interagissez avec l'instrument

Affiche les informations relatives à l'instrument et vous permet d'afficher toutes les erreurs enregistrées

## Menu Config. d'E/S

I/O Config configure les paramètres d'E/S pour les opérations à distance via l'interface LAN.



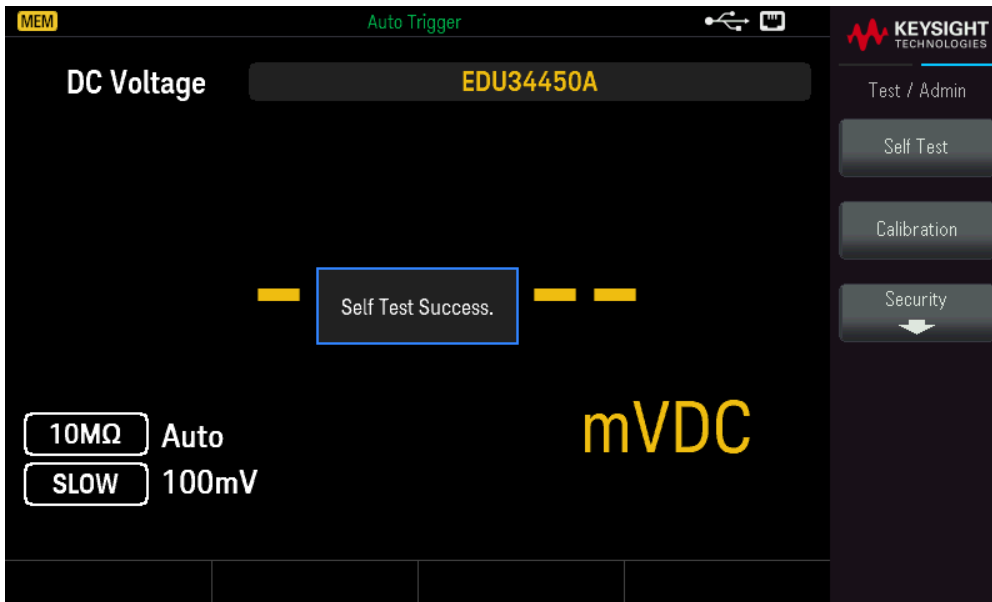
Voir [Connexions de l'interface de commande à distance](#) et [Configuration de l'interface de commande à distance](#) pour plus d'informations.

## Menu Configuration de l'instrument

Instr. Setup propose un accès aux fonctions d'auto-test, d'étalonnage et de sécurité.



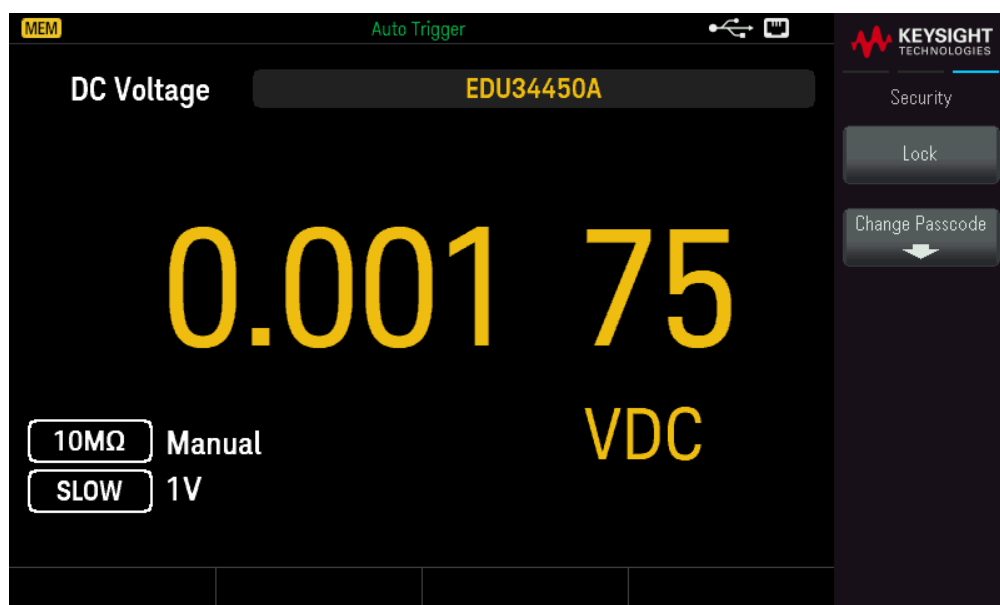
**Self Test** vérifie le bon fonctionnement de l'instrument. Cet auto-test est équivalent à la requête \*TST? SCPI et vous n'avez pas besoin de supprimer les entrées vers l'instrument pour l'effectuer.



**Calibration** accède à la procédure d'étalonnage de l'instrument. Reportez-vous à la section « Procédures de réglage de l'étalonnage » dans le *Guide des services EDU34450A* pour plus de détails.



**Security** gère le mot de passe et vous permet de verrouiller ou déverrouiller l'instrument pour le protéger d'un étalonnage non autorisé.



Appuyez sur **Lock** pour sécuriser l'instrument contre tout étalonnage accidentel ou non autorisé. Lorsqu'il est expédié de l'usine, l'instrument est sécurisé, le code de sécurité (mot de passe pour l'étalonnage) étant défini comme **EDU34450A**. Le même code de sécurité doit être utilisé pour le panneau avant et l'opération à distance. Si vous verrouillez l'instrument sur le panneau avant, utilisez ce même code pour le déverrouiller à partir de l'interface distante.

Appuyez sur **Change Passcode** pour définir un nouveau mot de passe. Le mot de passe est une chaîne simple de jusqu'à 12 caractères, il doit commencer par une lettre (A-Z) et peut contenir des lettres, des chiffres (0-9) et des tirets bas. Appuyez sur **Confirm** pour enregistrer vos modifications une fois l'opération terminée.

## Menu Paramètres de l'utilisateur

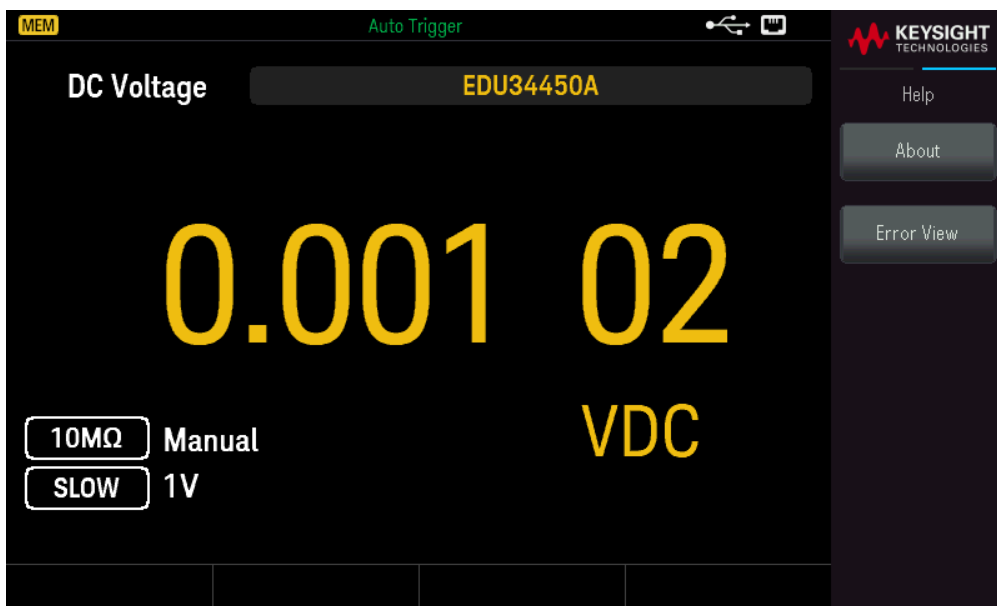
**User Settings** indique les préférences de l'utilisateur qui contrôlent la façon dont vous interagissez avec l'instrument. Les paramètres sont enregistrés en mémoire non volatile.



- **Language** sélectionne la langue d'aide pour l'utilisation du panneau avant : Anglais, Français, Allemand, Espagnol, Chinois simplifié, Chinois traditionnel, Japonais, Coréen ou Russe. Tous les messages, les aides contextuelles et les rubriques d'aide s'affichent dans la langue sélectionnée. Les messages de ligne d'état et les étiquettes des touches de fonction ne sont pas traduits et sont toujours en anglais.
- **Beeper** active ou désactive le son (**ON** ou **OFF**) associé aux caractéristiques suivantes :
  - Limites – une limite de mesure est dépassée (si les limites sont activées)
  - Probe Hold – le signal mesuré enregistre une lecture stable
  - Diode – la tension de polarisation directe se situe entre 0,3 et 0,8 V
  - Erreur – une erreur se produit sur le panneau avant ou l'interface distante
- **Key Click** active ou désactive le clic émis lorsque vous appuyez sur une touche ou une touche de fonction du panneau avant.
- **Display** éteint l'écran. Appuyez sur n'importe quelle touche du panneau avant pour le rallumer.
- **Auto-Dim** atténue la luminosité de l'écran après 2 minutes d'inactivité.
- **Date / Time** règle l'horloge en temps réel de l'instrument, qui utilise toujours un format de 24 heures (00:00:00 à 23:59:59). Il n'y a aucun réglage automatique de la date et de l'heure, de manière à régler à l'heure d'été. Utilisez les touches fléchées du panneau avant pour régler l'année, le mois, le jour, l'heure, les minutes et les secondes.

## Menu Aide

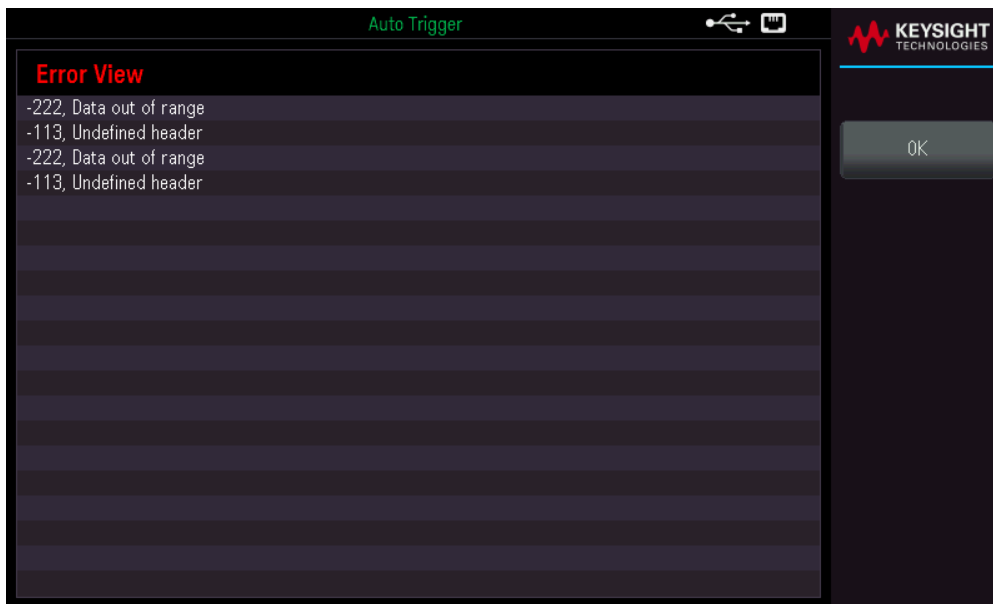
**Help** affiche des informations relatives à votre instrument et vous permet de visualiser toutes les erreurs dans la file d'attente.



**About** affiche l'adresse IP, le numéro de série et la version du microprogramme de l'instrument. Numérisez le code QR affiché pour voir la documentation associée à l'instrument.



**Error View** affiche toutes les erreurs de la file d'erreurs. Voir « SYSTem:ERRor? » dans le *Guide de programmation EDU34450A* pour plus de détails.



## Enregistrer/Rappeler

Vous pouvez enregistrer et rétablir les états complets de l'instrument.

- Il existe cinq registres de stockage d'utilisateur internes, numérotés de 1 à 5.
- L'état actuel de l'instrument, comprenant tous les réglages de configuration de mesure, d'opérations mathématiques et d'opérations système, peut être enregistré dans l'un des cinq emplacements de la mémoire non volatile et rappelé ultérieurement.
- Pour une opération à distance, consultez le sous-système MEMory, les commandes \*SAV et \*RCL dans le *Guide de programmation du Keysight EDU34450A*.

### Opérations depuis le panneau avant

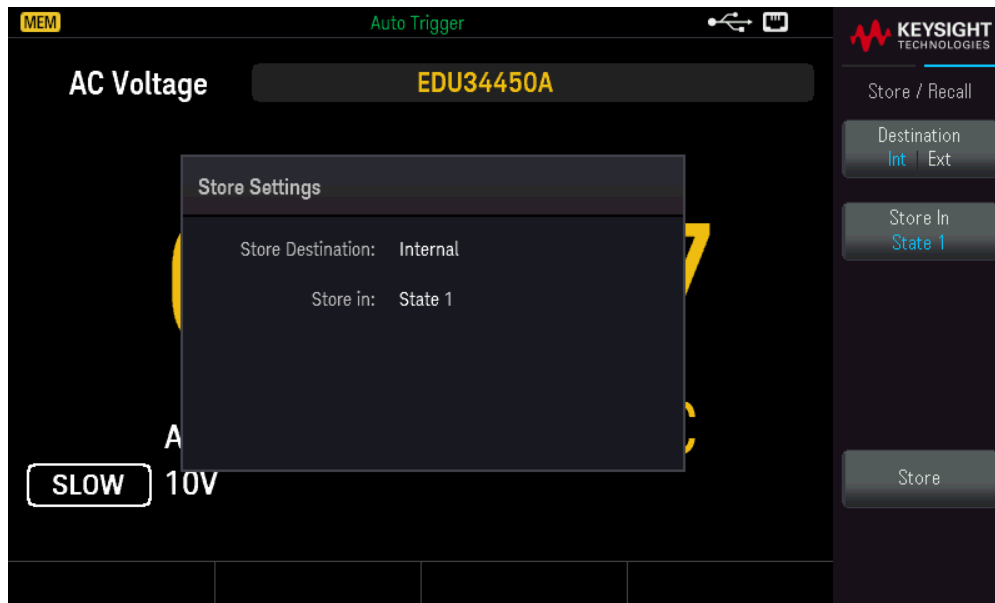
Appuyez sur [Store/Recall].





## Store Settings

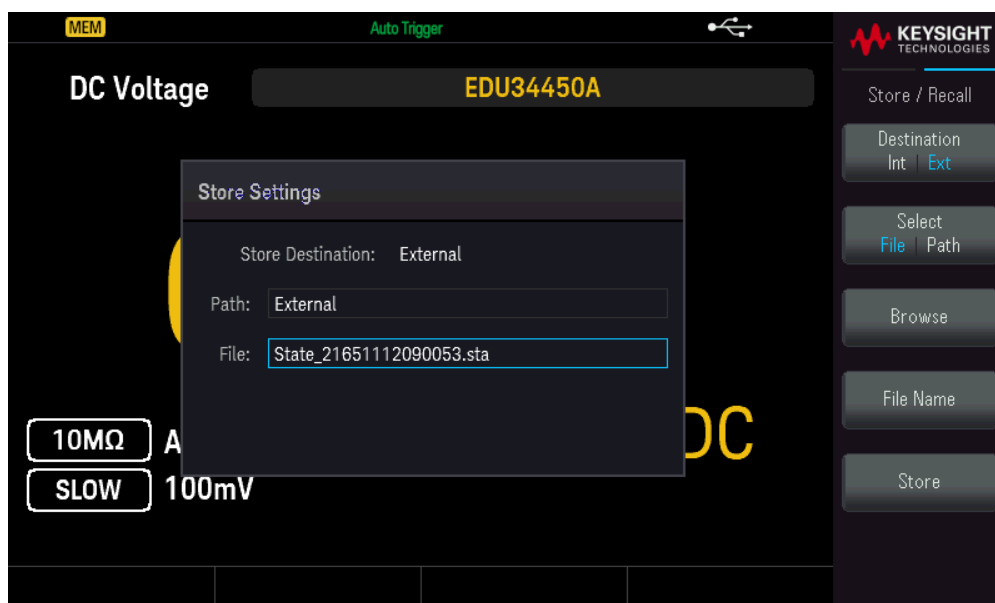
**Store Settings** vous permet de naviguer vers un répertoire et de spécifier un nom de fichier. Vous pouvez également choisir d'enregistrer un fichier de configuration en interne ou dans une clé USB externe.



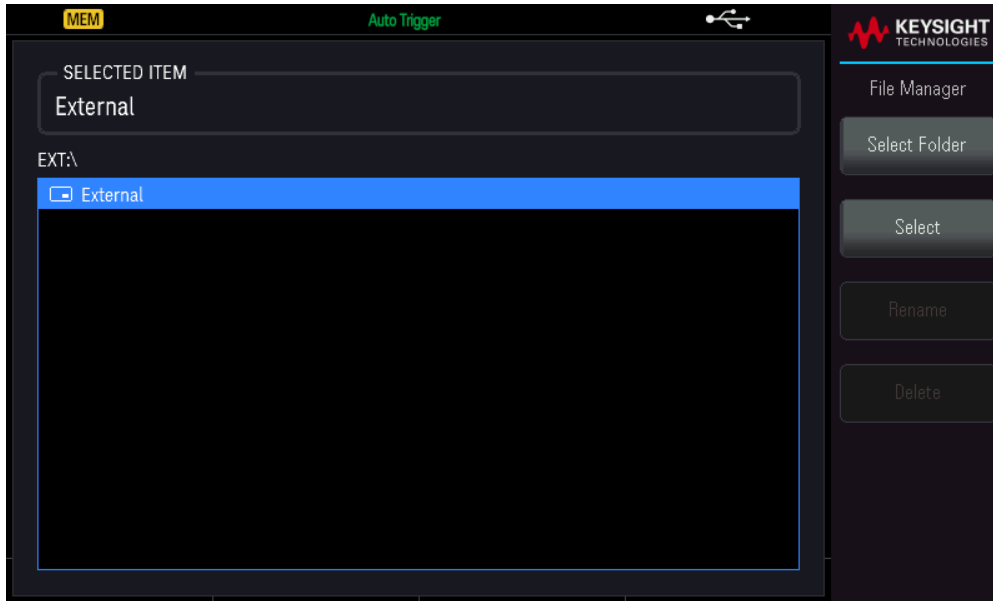
### Pour Enregistrer une configuration de l'instrument en interne

- Sélectionnez **Destination Int | Ext** pour enregistrer la configuration de l'instrument en interne dans sa mémoire non volatile.
- Sélectionnez **Store In** pour choisir entre les options disponibles : [Last](#), [State 1](#), [State 2](#), [State 3](#), [State 4](#), ou [State 5](#).
- Appuyez sur **Store** pour enregistrer l'état actuel de l'instrument dans l'emplacement de mémoire sélectionné.

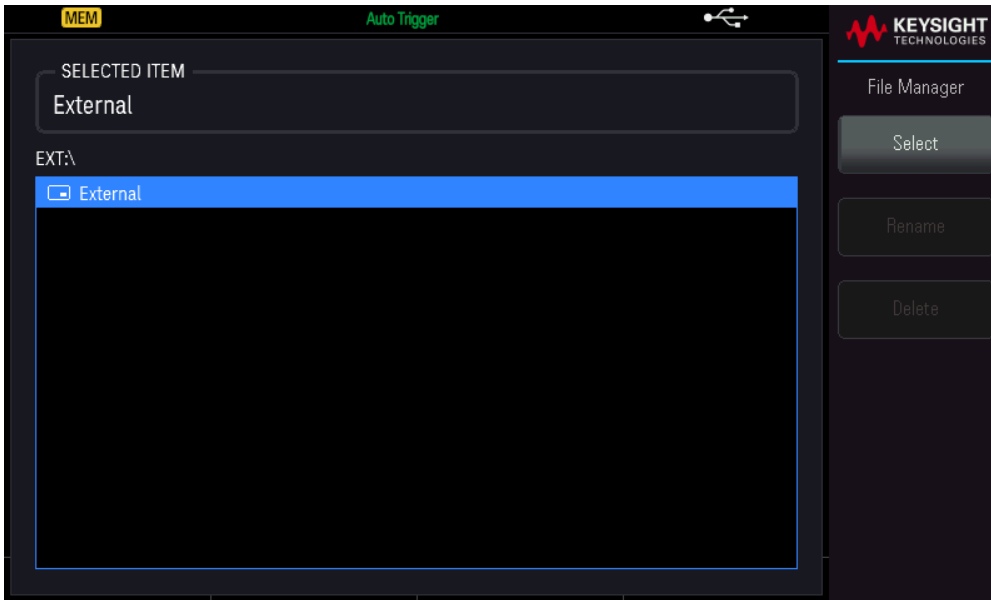
### Pour Enregistrer une configuration de l'instrument en externe



- Appuyez sur **Destination Int | Ext** pour enregistrer la configuration de l'instrument dans une clé USB externe connectée.
- Appuyez sur **Select Fichier | Chemin d'accès**. Appuyez sur **Browse** pour naviguer dans le répertoire de la clé USB externe connectée. Utilisez les touches fléchées pour naviguer.



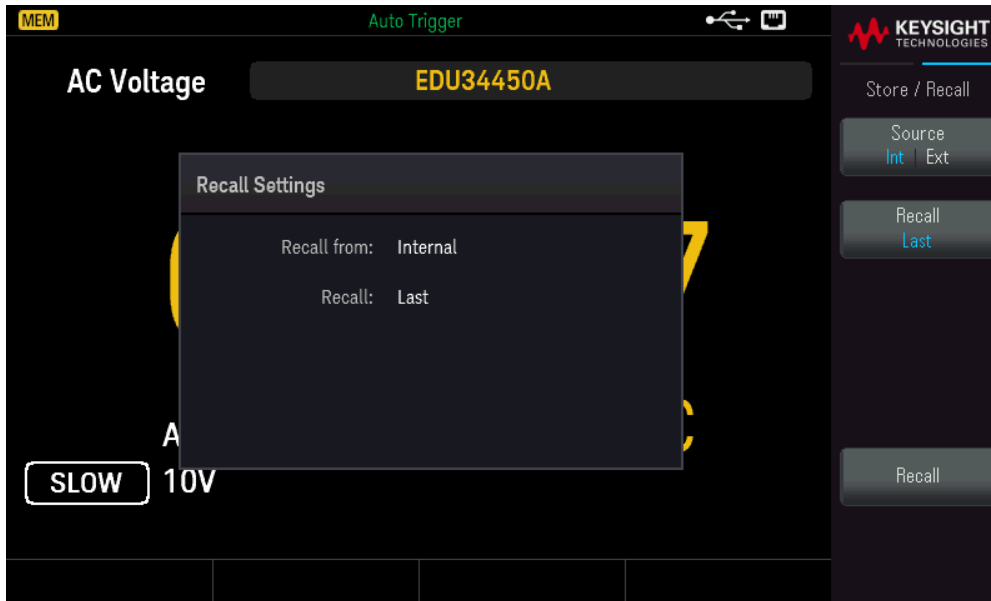
- Appuyez sur **Select Folder** pour choisir un dossier dans le répertoire du périphérique USB externe connecté
- Appuyez sur **Rename** pour renommer le fichier.
- Appuyez sur **Delete** pour supprimer le fichier sélectionné.
- Appuyez sur **Select** pour confirmer votre sélection.
- Appuyez sur **Select Fichier | Chemin d'accès**. Appuyez sur **Browse** pour naviguer dans le répertoire du périphérique USB externe connecté. Utilisez les touches fléchées pour naviguer.



- Appuyez sur **Rename** pour renommer le fichier.
- Appuyez sur **Delete** pour supprimer le fichier sélectionné.
- Appuyez sur **Select** pour confirmer votre sélection.
- Sélectionnez **File Name** pour spécifier un nom de fichier.
- Appuyez sur **Store** pour enregistrer l'état actuel de l'instrument dans l'emplacement de mémoire sélectionné.

## Paramètres de rappel

**Recall Settings** vous permet de naviguer vers le fichier à rappeler. Utilisez les touches fléchées pour naviguer vers le fichier d'état souhaité (\*.sta).



### Pour rappeler une configuration d'instrument stockée en interne

- Sélectionnez **Source Int | Ext** pour rappeler une configuration d'instrument stockée en interne dans la mémoire non volatile de l'instrument.
- Sélectionnez **Recall** pour choisir entre les options disponibles : **Last**, **State 1**, **State 2**, **State 3**, **State 4**, ou **State 5**.
- Appuyez sur **Recall** pour rappeler la configuration d'instrument depuis l'emplacement de stockage sélectionné.

### Pour rappeler une configuration d'instrument stockée en externe

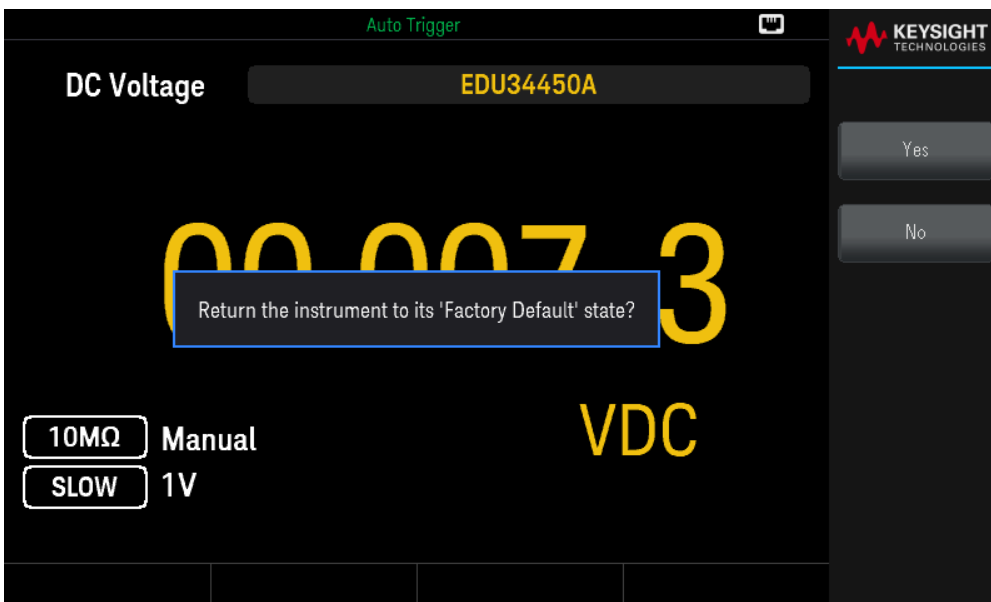
- Sélectionnez **Source Int | Ext** pour stocker la configuration de l'instrument dans une clé USB externe connectée.
- Sélectionnez **Browse** pour naviguer dans le répertoire de la clé USB externe connectée. Utilisez les touches fléchées pour naviguer.
- Appuyez sur **Recall** pour rappeler la configuration d'instrument depuis l'emplacement de stockage sélectionné.

## Paramètre à la mise sous tension

**Power On** (Mise sous tension) sélectionne l'état qui sera chargé à la mise sous tension. Il peut s'agir soit de l'état de l'instrument lorsqu'il a été mis hors tension avec l'interrupteur (**Last**) ou de l'état par défaut réglé en usine (**Factory Defaults**).



Appuyez sur **Set Power On** pour confirmer votre choix de mise sous tension (**Last** ou **Factory Default**).

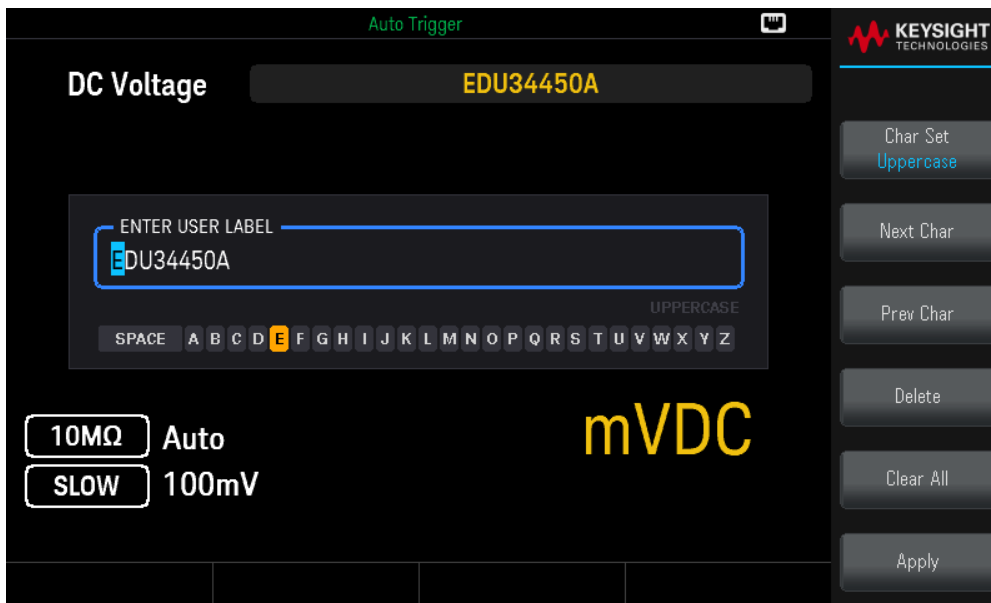


## Étiquette d'utilisateur

Appuyez sur [Display] > User Label pour modifier l'étiquette affichée sur l'interface utilisateur.



L'étiquette d'utilisateur est entrée sous forme de chaîne en utilisant les touches de fonction fournies. L'étiquette d'utilisateur peut comprendre des lettres, des chiffres et des symboles ( \_ - + = # % @ \$ ( ) [ ] { } ~ . ).



Appuyez sur **Apply** pour enregistrer vos modifications.



# 4 Caractéristiques et spécifications

**REMARQUE** Pour connaître les caractéristiques et les spécifications du multimètre numérique EDU34450A à 5½ chiffres, consultez la fiche technique sur : <https://www.keysight.com/us/en/assets/3121-1002/data-sheets/EDU34450A-5-5-Digit-Dual-Display-Digital-Multimeter.pdf>.

---



# 5 Didacticiel pour la réalisation de mesures

Considérations relatives aux mesures de courant continu

Réjection du bruit

Considération relative à la vitesse de mesure

Considérations relatives aux mesures secondaires

Considérations relatives aux mesures de résistance

Mesures de courant alternatif en valeur efficace vraie

Autres fonctions de mesure principales

Autres origines d'erreur de mesure

Le multimètre numérique EDU34450A 5½ de Keysight est capable de prendre des mesures très précises. Afin d'obtenir une précision optimale, vous devez prendre les mesures requises pour éliminer les éventuelles erreurs. Ce chapitre décrit les erreurs les plus fréquentes et propose des solutions possibles pour vous aider à les éviter ou les minimiser.

## Considérations relatives aux mesures de courant continu

### Erreurs de FEM thermique

Les tensions thermoélectriques sont souvent à l'origine d'erreurs dans les mesures de basse tension continue. Les tensions thermoélectriques sont générées lorsque vous réalisez des raccordements de circuit à l'aide de métaux différents et à des températures différentes. Chaque tronçon métal à métal forme un thermocouple, ce qui génère une tension proportionnelle à la température du tronçon. Veillez à prendre toutes les précautions nécessaires pour minimiser les tensions de thermocouple et les variations de température lors de vos mesures de basse tension. Dans la mesure où les bornes d'entrée de l'instrument sont faites d'un alliage de cuivre, vous réaliserez des raccordements plus fiables en utilisant des raccords cuivre à cuivre poinçonnés. Le tableau ci-dessous présente les différentes tensions thermoélectriques pour des raccordements créés avec différents métaux.

Cuivre sur	Approx. mV/°C
Brasure cadmium/étain	0,2
Cuivre	< 0,3
Or	0,5
Argent	0,5
Bronze	3
Cuivre béryllium	5
Aluminium	5
Brasure étain/plomb	5
Kovar ou alliage 42	40
Silicone	500
Cuproxyde	1000

## Réjection du bruit

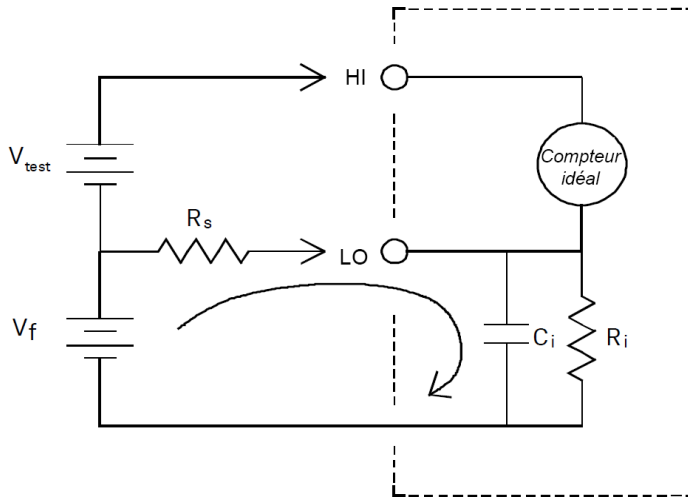
### Rejet des tensions bruyantes dans les lignes électriques

Les convertisseurs analogiques/numériques (A/N) ont comme caractéristique souhaitable de rejeter le bruit lié aux lignes électriques présent dans les signaux d'entrée du courant continu. C'est ce que l'on appelle la réjection de bruit de mode normal (RMN). L'instrument réalise cette réjection en mesurant l'entrée c.c. moyenne par « intégration » de l'entrée sur une période fixe.

### Réjection de mode commun (RMC)

L'idéal est que le multimètre soit complètement isolé des circuits référencés à la terre. Toutefois, il existe une résistance finie entre la borne LO d'entrée de l'instrument et la terre, comme indiqué ci-dessous. Cela peut entraîner des erreurs dans la mesure de basses tensions qui flottent par rapport à la terre.

La figure ci-dessous illustre un circuit de réjection de mode commun (RMC) :



$V_f$  = Tension flottante  
 $R_s$  = Déséquilibre de la résistance à la source du dispositif à tester  
 $R_i$  = Résistance de l'isolation du multimètre (borne LO-Terre)  
 $C_i$  = Capacité d'entrée du multimètre :

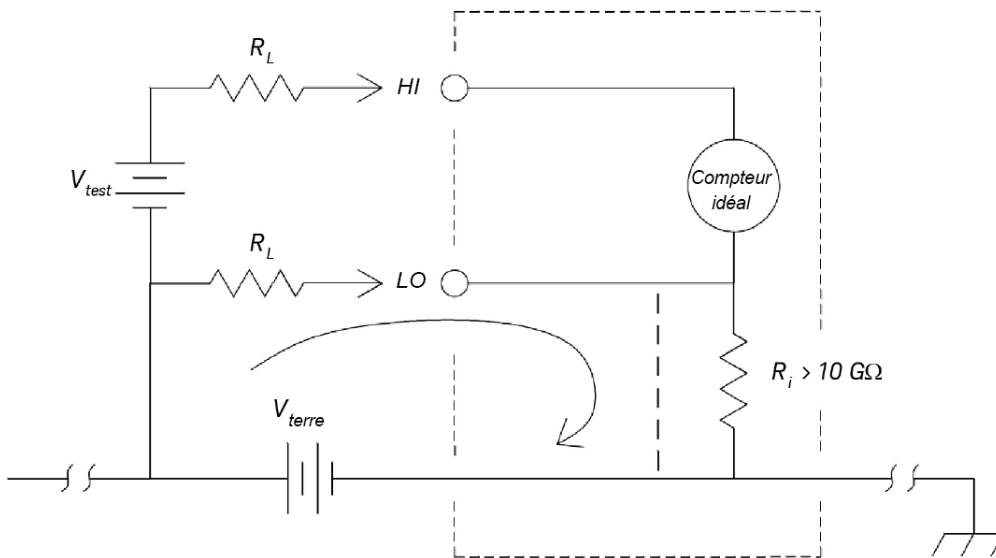
$$\text{Erreur (v)} = \frac{V_f \times R_s}{R_s + R_i}$$

### Bruit causé par des boucles magnétiques

Si vous réalisez des mesures à proximité de champs magnétiques, veillez à ne pas induire de tensions dans les connexions de mesure. Vous devez faire particulièrement attention lorsque vous travaillez à proximité de conducteurs qui transportent des courants élevés. Pour la connexion vers l'instrument, utilisez des connexions à paire torsadée afin de réduire la surface de la boucle de captage du bruit ou disposez les cordons de test aussi près que possible l'un de l'autre. Des cordons de test qui ne sont pas attachés ou qui vibrent produisent des tensions incorrectes. Attachez fermement les cordons de test lorsque l'instrument fonctionne à proximité de champs magnétiques. Dans la mesure du possible, utilisez du matériel protégeant des champs magnétiques ou éloignez l'appareil des sources magnétiques.

### Bruit provoqué par les boucles de masse

Lorsque vous mesurez des tensions dans des circuits où l'instrument et le circuit à tester sont tous les deux référencés à une masse commune, une boucle de terre se forme. Comme le montre la figure ci-dessous toute différence de tension entre les deux points de référence à la masse ( $V_{\text{ground}}$ ) engendre un courant dans le cordon de mesure. Ce phénomène génère du bruit et une tension de décalage (habituellement liés à une ligne électrique) qui viennent s'ajouter à la tension mesurée.



$R_L$  = résistance du cordon  
 $R_i$  = résistance d'isolation du multimètre  
 $V_{terre}$  = Chute de tension au collecteur de terre

La meilleure façon d'éliminer les boucles de terre consiste à isoler l'instrument de la terre en ne mettant pas à la masse les bornes d'entrée. Si l'instrument doit être référencé à la terre, raccordez-le, ainsi que le circuit à tester, au même point de masse commune. De plus et dans la mesure du possible, branchez l'instrument et le circuit à tester à la même prise de courant.

## Considérations relatives à la vitesse de mesure

Il existe deux procédés pour l'intégration des données échantillonnées mesurées, lent/moyen (NPLC) et rapide (ouverture).

Lorsque vous définissez la résolution sur lente ou moyenne, vous pouvez obtenir une précision accrue associée au calcul de moyenne temporelle et améliorer la réjection d'interférence de ligne électrique (réjection de mode normal ou RMN).

L'ouverture est la période, mesurée en secondes, pendant laquelle le convertisseur analogique-numérique (A/N) de l'instrument échantillonne le signal d'entrée pour une mesure. Une ouverture plus longue permet d'améliorer la résolution ; une ouverture plus courte permet d'accélérer les mesures. Par exemple, le mode rapide pour les mesures de tension continue définit une période de mesure spécifique de 1 ms et ne repose pas sur la fréquence de ligne électrique. Aucune réjection de mode normale n'est fournie dans le mode d'ouverture.

## Considérations relatives aux mesures secondaires

Le mode de mesures secondaires permet aux utilisateurs d'effectuer deux mesures sur un écran. Pendant le mode de mesures secondaires, l'écran affiche deux mesures séparées, un délai de commutation séparant les deux.

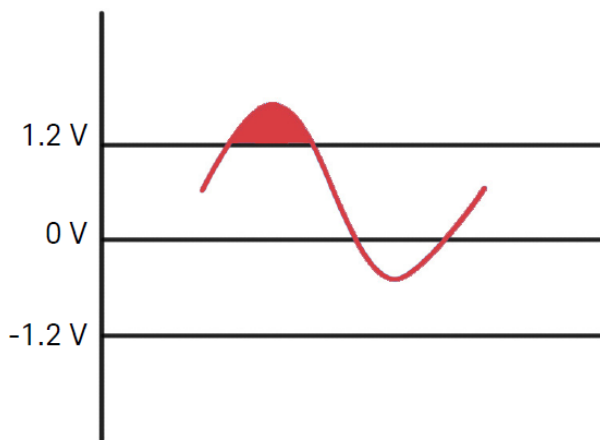
Le tableau ci-dessous illustre certaines des applications pouvant être mesurées à l'aide du mode à deux mesures :

Combinaisons de fonctions secondaires	Application
VCC et VCA	Mesurer le signal CA avec un décalage CC à partir d'une sortie d'amplificateur Mesurer le bruit d'ondulation CA et la tension de sortie CC d'une alimentation
VCC et ICC	Mesurer la tension CC et l'intensité CC sur un circuit électronique
VCC et ICA	Application d'onduleur
VCA et ICC	Application d'onduleur
VCA et ICA	Mesurer le signal primaire et le secondaire d'un circuit de transformateur
VCA/ICA et Fréquence	Mesurer la fréquence de la tension de ligne

### Plage dynamique de tension continue dans la mesure secondaire

Lors de la mesure du CC et du CA dans le mode à double mesure, veillez à ce que les composants CC = CA ne dépassent pas la plage dynamique du CAN de l'instrument. L'instrument a une plage dynamique de  $\pm 1,2$  V ou 120 % de l'échelle pleine de chacune des plages VCC.

Par exemple, le décalage CC du signal, tel que représenté sur la figure ci-dessous, entraîne que l'entrée dépasse la plage dynamique de limite supérieure du CAN. Cela peut entraîner des erreurs dans la mesure du composant CC.



Prenez un composant CA de signal de 1 V<sub>rms</sub> avec un décalage CC de 100 mV. Lors de la mesure dans la plage VCC de 1 V, V<sub>peak</sub> du signal est 1,514 V, ce qui dépasse la plage dynamique du CAN de 1,2 V, entraînant une erreur de la mesure CC.

Choisissez une plage supérieure à VCC 10 V pour une meilleure précision.

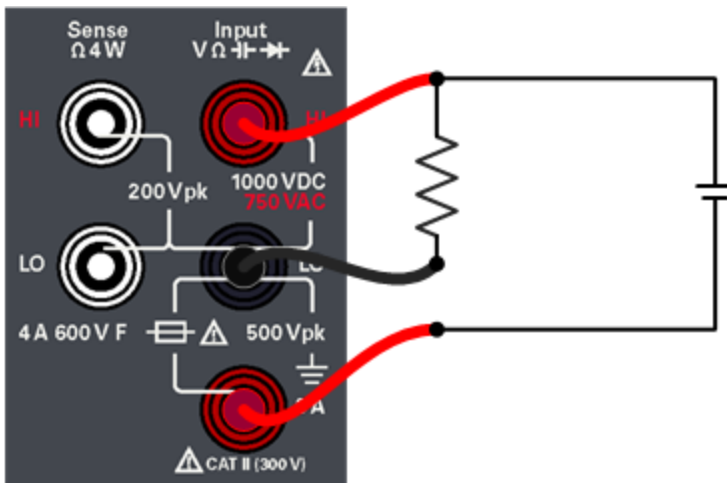
La même erreur de mesure s'applique au mode double VCC et ICA, en raison de la chute de tension série de l'instrument.

## Mesure double de tension et de courant

Lors de la mesure de tension continue et de l'intensité de courant continu en mode de mesure double, il convient de tenir compte de la résistance du cordon de test et des circuits de mesure internes. L'instrument partage la même masse commune dans la mesure de tension continue et d'intensité CC. Lorsqu'un courant circule à travers les bornes LO, une chute de tension se produit dans le circuit et affecte la précision de la lecture de tension.

En tenant compte de la résistance interne et de la résistance des cordons externes, le total est de 0,0125 ohm. En appliquant un courant CC de 1 A, une erreur de  $(0,0125 \Omega \times 1 \text{ A})$  0,0125 V ou 12,5 mV se produit. L'erreur sera liée à la plage en utilisant la plage dynamique du CAN de 1,2 V.

La figure ci-dessous représente un exemple de mesure de tension et d'intensité dans le mode de mesures secondaires.



L'erreur de mesure est significative lorsqu'une intensité supérieure est appliquée.

## Considérations relatives aux mesures de résistance

Lorsque vous réalisez des mesures de résistance, le courant test passe par la borne HI d'entrée pour traverser la résistance qui fait l'objet de la mesure. L'instrument capte lui-même la chute de tension rencontrée au niveau de la résistance que vous mesurez. De ce fait, la résistance des cordons de test est également mesurée.

*Les erreurs liées aux mesures de tension en courant continu qui ont été abordées dans ce chapitre sont également rencontrées dans les mesures de résistance. Intéressons-nous à présent aux autres sources d'erreur qui sont propres aux mesures de résistance.*

### Élimination des erreurs liées à la résistance des cordons de test

Pour éliminer les erreurs de décalage associées à la résistance des cordons de test, consultez **Null**.

### Réduction des effets de dissipation de la puissance

Lorsque vous mesurez des résistances conçues pour des mesures de température (ou d'autres appareils résistifs avec des coefficients de température élevés), sachez que l'instrument dissipe une partie de la puissance dans le

dispositif à tester (DUT).

Si la dissipation de la puissance pose un problème, il convient de sélectionner la plage de mesure suivante de l'instrument afin de réduire les erreurs à un niveau acceptable. Le tableau suivant illustre plusieurs exemples.

Plage	Courant de test	Puissance du DUT à échelle pleine
100 $\Omega$	1 mA	100 $\mu$ W
1 k $\Omega$	0,5 mA	250 $\mu$ W
10 k $\Omega$	100 $\mu$ A	100 $\mu$ W
100 k $\Omega$	10 $\mu$ A	10 $\mu$ W
1 M $\Omega$	1 $\mu$ A	1 $\mu$ W
10 M $\Omega$	100 nA	100 nW
100 M $\Omega$	100 nA/10 M $\Omega$	1 $\mu$ W

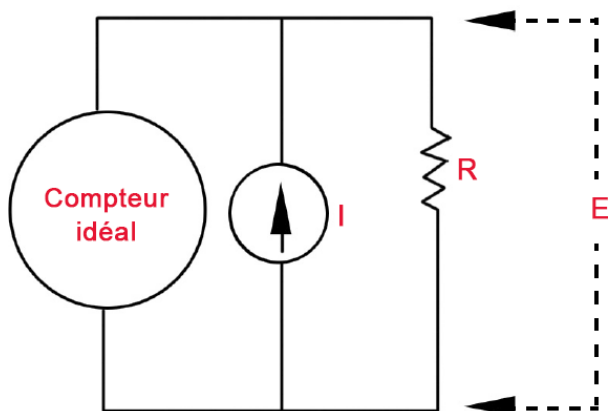
### Erreurs rencontrées dans les mesures de haute résistance

Lorsque vous mesurez des résistances importantes, des erreurs conséquentes peuvent se produire en raison de l'isolation de la résistance et de la propreté des surfaces. Veillez à prendre toutes les précautions nécessaires pour maintenir « propre » le système haute résistance. Les cordons de test et les parties fixes sont susceptibles de fuir en raison de l'absorption d'humidité dans les matériaux d'isolation et les surfaces « sales ». Le nylon et le PVC sont d'assez piètres isolants ( $10^9 \Omega$ ), comparés aux isolants PTFE ( $10^{13} \Omega$ ).

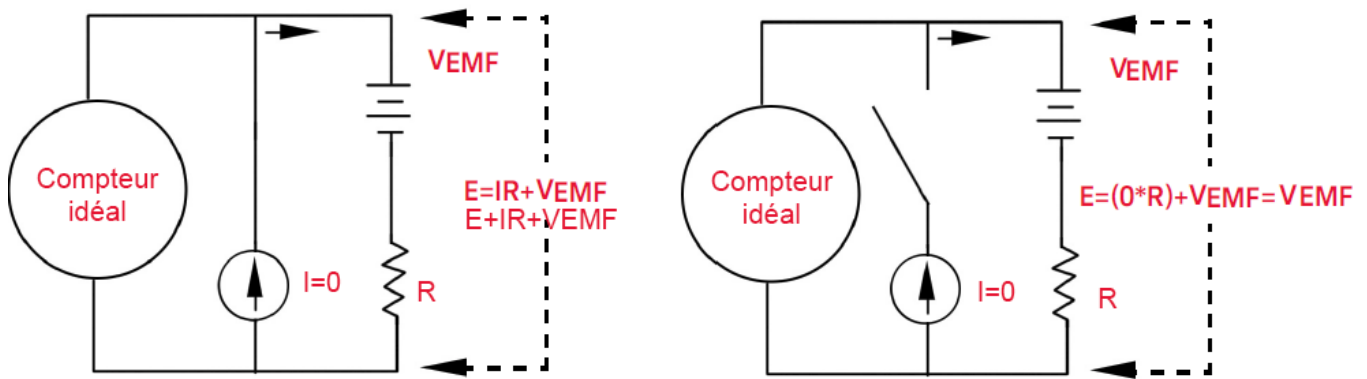
La résistance de fuite des isolants en nylon ou en PVC peut engendrer une erreur de 0,1 % lors de la mesure d'une résistance de 1 M $\Omega$  dans un environnement humide.

### Compensation de décalage

Une mesure de résistance implique la mesure d'une tension (E) induite dans la résistance par une source de courant connue.



L'EMF thermique provoquée par des métaux différents peut créer une tension parasite dans le circuit de mesure ( $V_{EMF}$ ). L'EMF thermique peut être provoquée par les raccordements de cordons internes ou en interne dans la résistance R. En général, cette tension ne modifie pas le courant appliqué à la résistance.



La tension mesurée et, ainsi, la résistance calculée, est une erreur de  $V_{EMF}$ . L'utilisation de la compensation de décalage peut réduire les erreurs provoquées par  $V_{EMF}$ . Pour effectuer une mesure à décalage compensé, le multimètre effectue deux mesures de tension, une avec la source de courant active et l'autre avec la source de courant inactive et soustrait les deux mesures. La chute de tension réelle dans la résistance et la résistance calculée sont obtenues ainsi :

$$\text{Première lecture} - \text{Seconde lecture} = (I * R + V_{EMF}) - V_{EMF} = I * R$$

La compensation de décalage peut être utilisée dans des mesures en ohms à 2 ou 4 fils (uniquement disponibles pour 100  $\Omega$ , 1 k $\Omega$  et 10 k $\Omega$ ).

## Mesures de courant alternatif en valeur efficace vraie

Un multimètre numérique réagissant à la valeur efficace vraie, comme le modèle EDU34450A, mesure le potentiel « thermique » d'une tension appliquée. La puissance dissipée dans une résistance est proportionnelle à la racine carrée d'une tension appliquée, quelle que soit la forme d'onde du signal. Cet instrument mesure la valeur efficace vraie de la tension ou du courant tant que la forme d'onde contient une énergie négligeable dépassant la bande passante effective de l'instrument. Il convient de noter que l'instrument fait appel aux mêmes techniques pour mesurer la valeur efficace vraie de tension que pour mesurer celle du courant.

Forme du signal	Facteur de crête	CA eff.	CA + CC eff.
	$\sqrt{2}$	$\frac{V}{\sqrt{2}}$	$\frac{V}{\sqrt{2}}$
	$\sqrt{3}$	$\frac{V}{\sqrt{3}}$	$\frac{V}{\sqrt{3}}$
	$\sqrt{\frac{T}{t_p}}$	$\frac{V}{CF} \times \sqrt{1 - \frac{1}{CF^2}}$	$\frac{V}{CF}$
	1	V	V



Les fonctions de voltmètre et d'ampèremètre en courant alternatif de l'instrument mesurent la valeur efficace vraie en couplage de courant alternatif. Dans cet instrument Keysight, seul le « potentiel thermique » de la composante alternative du signal d'entrée est mesuré (la composante continue est rejetée). Comme le montre la figure ci-dessus, pour les ondes sinusoïdales, triangulaires et carrées, les valeurs de tension alternative couplée et les valeurs CA + CC sont égales puisque ces signaux ne contiennent pas de décalage continu. Toutefois, pour les signaux non symétriques, tels que les trains d'impulsions, une tension continue est présente, laquelle est rejetée par les mesures de valeur efficace vraie de tension alternative couplée de Keysight. Cela peut présenter un énorme avantage.

Une mesure de la valeur efficace vraie de la tension alternative couplée est souhaitable si vous mesurez de petits signaux alternatifs en présence d'importants décalages continus. C'est une situation fréquente lors de la mesure de la tension alternative d'ondulation d'une alimentation en courant continu. En revanche, dans certains cas, il est préférable de connaître la valeur efficace vraie CA + CC. Vous pouvez calculer cette valeur en associant les résultats des mesures CA et CC, comme illustré ci-dessous :

$$ac + dc = \sqrt{ac^2 + dc^2}$$

Pour obtenir les meilleurs résultats de réjection de bruit des tensions alternatives, il convient de réaliser une mesure de courant continu en mode s.

### Précision de la valeur efficace vraie et contenu du signal haute fréquence

Une erreur répandue consiste à penser que « puisqu'un multimètre CA mesure la valeur efficace vraie, sa précision en signaux sinusoïdaux s'applique à toutes les formes de signaux ». En fait, la forme du signal d'entrée peut avoir une incidence considérable sur la précision des mesures, quel que soit le multimètre, en particulier si ce signal contient des composantes hautes fréquences qui dépassent la bande passante de l'instrument. Les erreurs se produisent dans les mesures de valeur efficace lors de la présence d'une forte énergie de signal d'entrée à des fréquences dépassant la bande passante de l'instrument.

### Estimation de l'erreur haute fréquence (hors bande)

Un moyen courant de caractériser les formes de signaux est le « facteur de crête ». Le facteur de crête est le quotient de la valeur de crête par la valeur efficace du signal. Pour un train d'impulsions, par exemple, le facteur de crête est approximativement égal à la racine carrée de l'inverse du rapport cyclique.

$$CF = \frac{1}{\sqrt{d}} = \frac{1}{\sqrt{\frac{t_p}{T}}} = \frac{1}{\sqrt{prf \times t_p}}$$

Il convient de noter que le facteur de crête est un paramètre composite, dépendant de la largeur d'impulsion et de la fréquence de répétition. Le facteur de crête seul n'est pas suffisant pour caractériser la teneur en fréquence d'un signal.

Les multimètres numériques comprennent généralement un tableau de déclassement de facteur de crête qui s'applique à toutes les fréquences. L'algorithme de mesure utilisé dans l'instrument EDU34450A n'est pas naturellement réactif au facteur de crête, un tel déclassement n'est donc pas nécessaire. Avec cet instrument,

comme décrit dans la section précédente, le principal problème réside dans la teneur du signal haute fréquence, qui dépasse la bande passante de l'instrument.

Pour les signaux périodiques, l'association du facteur de crête et du taux de répétition tend à suggérer la quantité de teneur haute fréquence et l'erreur de mesure associée. Le premier passage par zéro d'une impulsion simple se produit à

$$f_1 = \frac{1}{t_p}$$

Cela donne une idée de la teneur haute fréquence en identifiant l'emplacement de ce passage en fonction du facteur de crête :

$$f_1 = CF^2 \cdot prf$$

Le tableau ci-dessous illustre les erreurs typiques pour différents signaux d'impulsion en fonction de la fréquence d'impulsion d'entrée :

prf	Erreur typique pour signal carré, signal triangulaire et trains d'impulsions de CF = 3, 5 ou 10				
	Signal carré	Signal triangulaire	CF = 3	CF = 5	CF = 10
200	-0,02%	0,00%	-0,04%	-0,09%	-0,34%
1000	-0,07%	0,00%	-0,18%	-0,44%	-1,71%
2000	-0,14%	0,00%	-0,34%	-0,88%	-3,52%
5000	-0,34%	0,00%	-0,84%	-2,29%	-8,34%
10000	-0,68%	0,00%	-1,75%	-4,94%	-26,00%
20000	-1,28%	0,00%	-3,07%	-8,20%	-45,70%
50000	-3,41%	-0,04%	-6,75%	-32,2%	-65,30%
100000	-5,10%	-0,12%	-21,8%	-50,6%	-75,40%

Le tableau ci-dessus fournit une erreur supplémentaire pour chaque signal, à ajouter à la valeur du tableau de précision fourni dans la *Fiche de données du Keysight EDU34450A*.

Exemple : Un train d'impulsions de niveau 1 Vrms est mesuré sur la plage de 1 V. Il dispose de hauteurs d'impulsion de 3 V (c'est-à-dire un facteur de crête de 3) et d'une durée de 111 µs. Le résultat du calcul du prf est de 1 000 Hz comme suit :

$$prf = \frac{1}{CF^2 \times t_p}$$

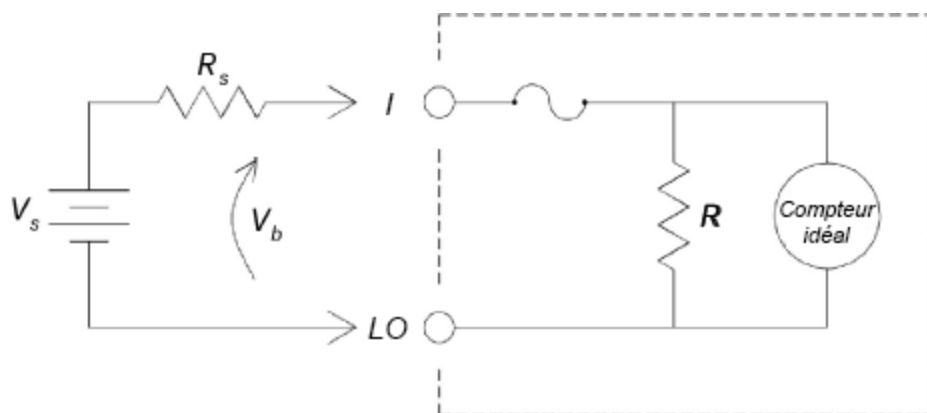
Ainsi, à partir du tableau ci-dessus, ce signal CA peut être mesuré avec une erreur supplémentaire de 0,18 pour cent.

## Filtre CA

Les fonctions de voltmètre et d'ampèremètre en courant alternatif de l'instrument mettent en œuvre trois filtres en peigne à basse fréquence. Ces filtres vous permettent de faire un compromis entre la fréquence mesurée minimale et la vitesse de lecture. Le filtre en mode « LENT » a une coupure à 2 Hz et est utile pour les fréquences supérieures à 20 Hz. Le filtre « MOYEN » a une coupure à 20 Hz et il est approprié pour les fréquences supérieures à 200 Hz. Le filtre « RAPIDE » a une coupure à 200 Hz et il est approprié pour les fréquences supérieures à 1 kHz.

## Mesures de courant continu

Lorsque vous connectez l'instrument en série avec un circuit test pour mesurer le courant, une erreur de mesure est introduite. Une chute de tension série de l'instrument est à l'origine de cette erreur. Une tension grandit dans la résistance des fils et la résistance du shunt électrique de l'instrument, comme illustré ci-dessous.



$V_s$  = Tension de la source

$R_s$  = Résistance à la source du dispositif à tester

$V_b$  = Chute de tension du multimètre

$R$  = Shunt de courant du multimètre

$$\text{Erreur (\%)} = \frac{-100\% \times V_b}{V_s}$$

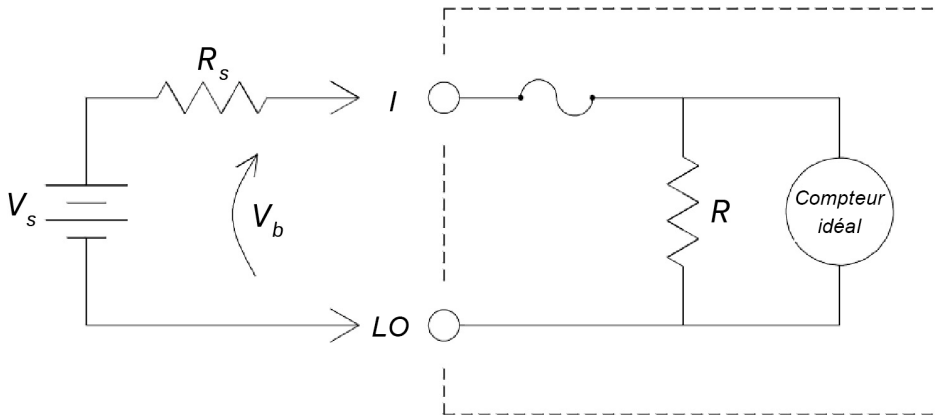
## Autres fonctions de mesure principales

### Erreurs de mesure de fréquence

L'instrument fait appel à une technique de comptage réciproque pour mesurer la fréquence. Cette méthode garantit la constance de la résolution de la mesure à toutes les fréquences d'entrée. Tous les fréquencemètres sont sensibles aux erreurs lors de la mesure de signaux à basse tension et basse fréquence. Les effets du bruit interne et de la collecte de bruit externe constituent un facteur déterminant dans la mesure de signaux dits « lents ». L'erreur est inversement proportionnelle à la fréquence. Des erreurs de mesure se produiront également lorsque l'on tente de mesurer la fréquence d'un signal d'entrée après une variation de la tension continue de décalage. Avant de réaliser une mesure de fréquence, laissez se stabiliser l'entrée de l'instrument.

## Mesure du courant alternatif

Lorsque vous connectez l'instrument en série avec un circuit test pour mesurer le courant, une erreur de mesure est introduite. Une chute de tension série de l'instrument est à l'origine de cette erreur. Une tension grandit dans la résistance des fils et la résistance du shunt électrique de l'instrument, comme illustré ci-dessous.



$V_s$  = Tension de la source

$R_s$  = Résistance à la source du dispositif à tester

$V_b$  = Chute de tension du multimètre

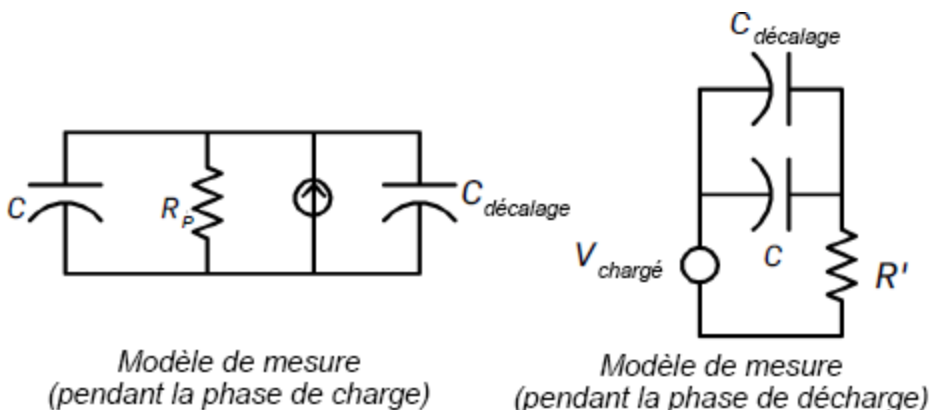
$R$  = Shunt de courant du multimètre

$$\text{Erreur (\%)} = \frac{-100\% \times V_b}{V_s}$$

Si vous appliquez plus de 1 A pendant la mesure de courant, une élévation de température se produit dans le composant de conditionnement de signal interne et la résistance shunt à 3 A de l'enregistrement de l'instrument. Laissez quelques minutes à l'instrument pour se stabiliser pour une meilleure précision de la mesure de courant. Après avoir appliqué une mesure de courant de plus de 1 A, laissez la chaleur se dissiper pendant quelques minutes pour assurer une meilleure précision des autres mesures.

## Mesures de capacité

L'instrument met en œuvre des mesures de capacité en appliquant un courant connu au condensateur, comme illustré ci-dessous :



La capacité est calculée en mesurant la variation de tension ( $\Delta V$ ) pendant un temps « d'ouverture courte » ( $\Delta t$ ). Le cycle de mesure se compose de deux parties : une phase de charge et une phase de décharge.

La variation de tension ( $\Delta V$ ) et le temps « d'ouverture courte » ( $\Delta t$ ), sont altérés par la plage, afin de minimiser le bruit et d'augmenter la précision de lecture. Le tableau suivant liste la source de courant et la vitesse de lecture à pleine échelle pendant la mesure.

Plage	Source de courant	Vitesse de lecture à la pleine échelle
1 nF	100 nA	1,0/seconde
10 nF	100 nA	0,5/seconde
100 nF	1 $\mu$ A	1,5/seconde
1 $\mu$ F	1 $\mu$ A	0,25/seconde
10 $\mu$ F	10 $\mu$ A	0,25/seconde
100 $\mu$ F	100 $\mu$ A	0,25/seconde
1 mF	500 $\mu$ A	0,25/seconde
10 mF	1 mA	0,15/seconde

Les valeurs de capacité et de résistance de perte mesurées avec l'instrument peuvent différer des valeurs mesurées à l'aide d'un multimètre LCR. Cela est normal car il s'agit essentiellement d'un procédé de mesure de courant continu, tandis que la mesure LCR utilise des fréquences appliquées quelconques entre 100 Hz et 100 kHz. La plupart du temps, aucun des deux procédés ne mesure le condensateur à sa fréquence d'application exacte.

Pour obtenir une précision optimale, effectuez une mesure avec la fonction Null et des sondes ouvertes avant de les relier au condensateur à mesurer.

## Mesures de température

L'instrument mesure la température en mesurant la résistance sensible à la température de thermistances à 5 k $\Omega$ .

Les thermistances sont constituées de matériaux semiconducteurs et présentent environ 10 fois la sensibilité d'un RTD. Comme il s'agit de semiconducteurs, leur plage de température est plus limitée, généralement -80 °C à 150 °C. Les thermistances ont des relations température-résistance non linéaires, leurs algorithmes de conversion sont donc plus complexes. Les instruments Keysight utilisent l'approximation de Hart-Steinhart standard pour produire des conversions précises.

## Autres origines d'erreur de mesure

### Erreurs de chargement (tension alternative)

Dans la fonction de tension alternative, l'entrée de l'instrument apparaît sous la forme d'une résistance de 1,1 M $\Omega$  (au moins) en parallèle avec une capacité de < 100 pF. Les fils que vous utilisez pour raccorder les signaux à l'instrument augmentent la capacité et le chargement.

Pour de basses fréquences, l'erreur de chargement est :

$$Error (\%) = \frac{-100 \times R_s}{R_s + 1.1 M\Omega}$$

Pour de hautes fréquences, l'erreur de chargement supplémentaire est :

$$\text{Error (\%)} = 100 \times \left[ \frac{1}{\sqrt{1 + (2\pi \times F \times R_s \times C_{in})^2}} - 1 \right]$$

$R_s$  = *Source Resistance*

$F$  = *Input Frequency*

$C_{in}$  = *Input Capacitance (100 pF) Plus Cable Capacitance*

Mesure en dessous de la pleine échelle

Vous obtiendrez une précision optimale des mesures de courant alternatif si l'instrument atteint ou est proche de la puissance maximale de la plage sélectionnée. Le réglage automatique de plage a lieu à 10 % (échelle la plus petite) et à 120 % (échelle la plus grande) de la puissance maximale. Cela vous permet de mesurer certaines entrées à la puissance maximale pour une plage et à 10 % pour la plage la plus élevée suivante. De manière générale, la précision est meilleure à une plage moins grande. Pour une précision optimale, sélectionnez la plage manuelle la plus petite possible pour la mesure.

Erreurs liées à l'auto-échauffement dû à une haute tension

Si vous appliquez une tension supérieure à 300 Vrms, un auto-échauffement se produit dans les composantes de conditionnement de signal internes de l'instrument. Ces erreurs sont mentionnées dans les spécifications de l'instrument.

Les variations de température à l'intérieur de l'instrument dues à un auto-échauffement peuvent être à l'origine d'erreurs dans les plages de tension alternative.

Erreurs de mesure du courant alternatif (chute de tension)

Les erreurs de chute de tension s'appliquant au courant continu sont également valables pour les mesures de courant alternatif. Toutefois, les chutes de tension en courant alternatif sont principalement causées par l'inductance série de l'instrument et par vos raccordements de mesure. Les chutes de tension augmentent à mesure que la fréquence d'entrée s'accroît. Certains circuits peuvent osciller lorsque vous réalisez des mesures de courant en raison de l'inductance série de l'instrument et de vos raccordements de mesure.

Erreurs de mesure à bas niveau

Si vous mesurez des tensions alternatives inférieures à 100 mV, sachez que ces mesures sont particulièrement vulnérables aux erreurs introduites par des sources de bruit externes. Un cordon de test exposé au bruit fait office d'antenne, et un multimètre fonctionnant correctement mesurera les signaux reçus. Le chemin de mesure entier, y compris la ligne électrique, se comporte comme une antenne cadre. Les courants circulant dans cette antenne cadre créent des tensions d'erreur aux bornes de toutes les impédances en série avec l'entrée de l'instrument. C'est pourquoi il faut utiliser des câbles blindés pour appliquer des tensions alternatives de faible niveau à l'instrument. Vous devez raccorder cette protection à la borne LO d'entrée.

Dans la mesure du possible, branchez l'instrument et la source de courant alternatif à la même prise de courant. Il convient également de réduire au minimum la zone des boucles de terre qui ne peuvent pas être évitées. Une source de haute impédance est plus favorable à la collecte de bruit qu'une source de faible impédance. Vous pouvez réduire l'impédance en haute fréquence d'une source en plaçant un condensateur en parallèle avec les bornes d'entrée de l'instrument. Il vous faudra peut-être faire plusieurs essais pour déterminer la valeur correcte du condensateur pour votre application.

La majeure partie du bruit externe n'est pas corrélée au signal d'entrée. Vous pouvez évaluer l'erreur à l'aide de l'équation suivante :

$$\text{Voltage Measured} = \sqrt{V_{in}^2 + \text{Noise}^2}$$

Le bruit corrélé, bien que rare, a des effets négatifs. Le bruit corrélé vient toujours s'ajouter au signal d'entrée. La mesure d'un signal de bas niveau avec la même fréquence que la ligne électrique locale est un cas de figure courant à l'origine de cette erreur.

### Erreur de mesure d'impulsion

Vous pouvez utiliser la fonction de mesure CC pour mesurer un signal d'impulsion et obtenir rapidement la mesure moyenne pertinente. La formule d'une moyenne CC équivalente d'un signal d'impulsion est donnée ci-dessous.

$$\frac{1}{T} \int_T f(x) dx$$

où  $f(x)$  est la fonction représentant la forme d'onde du signal sur une période  $T$ .

Une erreur peut se produire lorsque le signal d'impulsion est mesuré à une faible plage de tension en raison de la saturation de la tension de rail analogique/numérique (CAN) de l'instrument.



Ces informations peuvent être modifiées  
sans préavis.

© Keysight Technologies 2021, 2022

Édition 3, novembre 2022

Imprimé en Malaisie



EDU34450-90003

[www.keysight.com](http://www.keysight.com)

---

# Multímetro digital de 5½ dígitos EDU34450A

<b>Avisos</b> .....	<b>5</b>
<b>Aviso de copyright</b> .....	<b>5</b>
<b>Número de referencia del manual</b> .....	<b>5</b>
<b>Edición</b> .....	<b>5</b>
<b>Publicado por</b> .....	<b>5</b>
<b>Garantía</b> .....	<b>5</b>
<b>Licencias tecnológicas</b> .....	<b>5</b>
<b>Derechos del gobierno estadounidense</b> .....	<b>6</b>
<b>Licencias de terceros</b> .....	<b>6</b>
<b>Equipos electrónicos y eléctricos en los desperdicios (WEEE)</b> .....	<b>6</b>
<b>Declaración de conformidad</b> .....	<b>7</b>
<b>Información de seguridad</b> .....	<b>7</b>
<b>Información reglamentaria y de seguridad</b> .....	<b>8</b>
<b>Consideraciones de seguridad</b> .....	<b>8</b>
<b>Límites de protección</b> .....	<b>12</b>
<b>Límites de protección del terminal de entrada</b> .....	<b>13</b>
<b>Límites de protección del terminal del sensor</b> .....	<b>13</b>
<b>Protección de sobretensión Categoría II, Medición IEC</b> .....	<b>13</b>
<b>Símbolos de seguridad</b> .....	<b>14</b>
<b>Marcas regulatorias</b> .....	<b>15</b>
<b>Declaración de EMC clase A de Corea del Sur:</b> .....	<b>15</b>
<b>Seguridad y requisitos de EMC</b> .....	<b>16</b>
<b>Condiciones ambientales</b> .....	<b>16</b>
<b>1 Introducción al Instrumento</b> .....	<b>17</b>
<b>Breve descripción del instrumento</b> .....	<b>18</b>
<b>Breve descripción del panel frontal</b> .....	<b>18</b>
<b>Breve descripción de la pantalla del panel frontal</b> .....	<b>20</b>
Indicadores de estado del instrumento .....	<b>20</b>
<b>Breve descripción de los botones del panel frontal</b> .....	<b>22</b>
Navegación del panel frontal .....	<b>23</b>
<b>Breve descripción del panel posterior</b> .....	<b>23</b>
<b>Información sobre los fusibles</b> .....	<b>25</b>
Reemplazo del fusible de entrada de corriente .....	<b>25</b>
Reemplazo del fusible de la línea de alimentación .....	<b>27</b>
<b>Dimensiones del instrumento</b> .....	<b>29</b>
<b>2 Introducción</b> .....	<b>30</b>
<b>Preparación del instrumento para su uso</b> .....	<b>31</b>
Documentación y revisiones del firmware .....	<b>31</b>
Intervalo de Calibración Recomendado .....	<b>31</b>
Configure el instrumento .....	<b>31</b>
<b>Realizar una medición</b> .....	<b>32</b>
Medición de Tensión en CC .....	<b>32</b>
Medición de tensión AC (RMS) .....	<b>33</b>
Medición de la resistencia de 2 cables .....	<b>35</b>
Medición de la resistencia de 4 cables .....	<b>36</b>
Medición de Corriente en CC .....	<b>37</b>
Medición de corriente en CA .....	<b>38</b>
Medición de la frecuencia para la tensión .....	<b>40</b>
Medición de frecuencia para la corriente .....	<b>42</b>
Prueba de continuidad .....	<b>44</b>

Comprobación de diodos .....	45
Medición de Temperatura .....	46
Medición de capacitancia .....	48
<b>Seleccionar un rango .....</b>	<b>49</b>
<b>Cómo usar el sistema de ayuda incorporado .....</b>	<b>49</b>
Consulte la información de ayuda de un botón o tecla de función .....	49
<b>Conexiones de la interfaz remota .....</b>	<b>50</b>
Conéctese al instrumento a través del USB .....	50
Conéctese al instrumento a través del LAN (local o privada) .....	51
<b>Configuración de la interfaz remota .....</b>	<b>53</b>
Keysight IO Libraries Suite .....	53
Configuración de la LAN .....	53
Servicios de socket SCPI .....	62
Más información sobre direcciones IP y notación de puntos .....	62
<b>Control remoto .....</b>	<b>62</b>
Interfaz web .....	62
Detalles técnicos de la conexión .....	64
<b>3 Funciones y operaciones .....</b>	<b>65</b>
<b>Indicador secundario .....</b>	<b>66</b>
Ejemplos de funcionamiento de la pantalla doble .....	67
<b>Operaciones matemáticas .....</b>	<b>70</b>
Nulo .....	70
Redimensionamiento .....	72
Límites .....	75
Estadísticas .....	77
<b>Adquirir .....</b>	<b>77</b>
Continuo .....	77
Registro de datos .....	79
<b>Probe Hold .....</b>	<b>85</b>
<b>Ejecutar/detener .....</b>	<b>86</b>
<b>Menú Utilidad .....</b>	<b>87</b>
Menú de configuración de E/S .....	88
Menú de configuración del instrumento .....	88
Menú de ajustes del usuario .....	90
Menú Ayuda .....	91
<b>Store/Recall (Almacenar/Recuperar) .....</b>	<b>93</b>
<b>Etiqueta de usuario .....</b>	<b>99</b>
<b>4 Características y especificaciones .....</b>	<b>101</b>
<b>5 Tutoriales de medición .....</b>	<b>102</b>
<b>Consideraciones de mediciones de CC .....</b>	<b>103</b>
<b>Rechazo de ruido .....</b>	<b>103</b>
Rechazo de tensiones de ruido de línea eléctrica .....	103
Rechazo de modo común (CMR) .....	103
Ruido causado por bucles magnéticos .....	104
Ruido causado por bucle de tierra .....	104
<b>Consideración de la velocidad de medición .....</b>	<b>105</b>
<b>Consideraciones sobre la medición secundaria .....</b>	<b>106</b>
Rango dinámico de tensión de CC en medición secundaria .....	106
Tensión y corriente en medición dual .....	108
<b>Consideraciones de las mediciones de resistencia .....</b>	<b>108</b>

---

Eliminación de errores de resistencia del cable de prueba .....	108
Reducción de los efectos de disipación de alimentación .....	108
Errores en mediciones de resistencia alta .....	109
Compensación .....	109
<b>Mediciones de RMS verdadero en CA .....</b>	<b>110</b>
Contenido de la señal de frecuencia alta y precisión RMS verdadero .....	111
Cómo estimar el error de frecuencia alta (fuera de banda) .....	111
Filtro de CA .....	113
<b>Otras funciones principales de medición .....</b>	<b>113</b>
Errores de medición de frecuencia .....	113
Mediciones de Corriente CC .....	114
Medición de capacitancia .....	114
Mediciones de temperatura .....	115
<b>Otras fuentes de errores de medición .....</b>	<b>115</b>
Errores de carga (voltios de CA) .....	115
Mediciones por debajo de la escala completa .....	117
Errores de auto calentamiento de tensión alta .....	117
Errores en las mediciones de corriente en CA (tensión de carga) .....	117
Errores de medición de nivel bajo .....	117
Error de medición de pulso .....	118

# Avisos

## Aviso de copyright

© Keysight Technologies 2021, 2022

Queda prohibida la reproducción total o parcial de este manual por cualquier medio (incluyendo almacenamiento electrónico o traducción a un idioma extranjero) sin previo consentimiento por escrito de Keysight Technologies, de acuerdo con las leyes de copyright estadounidenses e internacionales.

## Número de referencia del manual

EDU34450-90006

## Edición

Edición 3, noviembre de 2022

## Publicado por

Keysight Technologies  
Zona franca industrial Bayan Lepas,  
11900 Bayan Lepas, Penang  
Malasia

## Garantía

EL MATERIAL INCLUIDO EN ESTE DOCUMENTO SE PROPORCIONA EN EL ESTADO ACTUAL Y PUEDE MODIFICARSE, SIN PREVIO AVISO, EN FUTURAS EDICIONES. KEYSIGHT DESCONOCE, TANTO COMO PERMITAN LAS LEYES APLICABLES, TODAS LAS GARANTÍAS, EXPRESAS O IMPLÍCITAS, RELATIVAS A ESTE MANUAL Y LA INFORMACIÓN AQUÍ PRESENTADA, INCLUYENDO PERO SIN LIMITARSE A LAS GARANTÍAS IMPLÍCITAS DE CALIDAD E IDONEIDAD PARA UN FIN CONCRETO. KEYSIGHT NO SERÁ RESPONSABLE DE ERRORES NI DAÑOS ACCIDENTALES O DERIVADOS RELATIVOS AL SUMINISTRO, AL USO O A LA CUMPLIMENTACIÓN DE ESTE DOCUMENTO O LA INFORMACIÓN AQUÍ INCLUIDA. SI KEYSIGHT Y EL USUARIO TUVIERAN UN ACUERDO APARTE POR ESCRITO CON CONDICIONES DE GARANTÍA QUE CUBRAN EL MATERIAL DE ESTE DOCUMENTO Y CONTRADIGAN ESTAS CONDICIONES, TENDRÁN PRIORIDAD LAS CONDICIONES DE GARANTÍA DEL OTRO ACUERDO.

## Licencias tecnológicas

El hardware y el software descritos en este documento se suministran con una licencia y solo pueden utilizarse y copiarse de acuerdo con las condiciones de dicha licencia.

## Derechos del gobierno estadounidense

El software es «software informático comercial», según la definición de la Regulación de adquisiciones federales («FAR») 2.101. De acuerdo con FAR 12.212 y 27.405- 3 y el Suplemento FAR del Departamento de Defensa («DFARS») 227.7202, el gobierno estadounidense adquiere software informático comercial bajo las mismas condiciones que lo suele adquirir el público. Por ende, Keysight suministra el Software al gobierno estadounidense con su licencia comercial estándar, plasmada en el Acuerdo de Licencia de usuario final (EULA), cuya copia se encuentra en <http://www.keysight.com/find/sweula>. La licencia establecida en el EULA representa la autoridad exclusiva por la cual el gobierno estadounidense puede usar, modificar, distribuir y divulgar el Software. El EULA y la licencia allí presentados no exigen ni permiten, entre otras cosas, que Keysight: (1) Suministre información técnica relacionada con software informático comercial o documentación de software informático comercial que no se suministre habitualmente al público; o (2) Ceda o brinde de algún otro modo al gobierno derechos superiores a los brindados habitualmente al público para usar, modificar, reproducir, lanzar, cumplimentar, mostrar o revelar software informático comercial o documentación de software informático comercial. No se aplica ningún requisito gubernamental adicional no estipulado en el EULA, excepto que las condiciones, los derechos o las licencias se exijan explícitamente a todos los proveedores de software informático comercial de acuerdo con FAR y DFARS, y se especifiquen por escrito en otra parte del EULA. Keysight no tiene ninguna obligación de actualizar, corregir ni modificar el Software de manera alguna. En cuanto a los datos técnicos tal como se definen en FAR 2.101, de acuerdo con FAR 12.211 y 27.404.2 y DFARS 227.7102, el gobierno estadounidense no tiene nada más que los derechos limitados definidos en FAR 27.401 o DFARS 227.7103-5 (c), como corresponde para cualquier dato técnico.

## Licencias de terceros

Parte de este software tiene licencias de terceros, incluso los términos y condiciones del código abierto. En la medida en que dichas licencias requieran que Keysight ponga a disposición el código fuente, lo haremos sin costo alguno. Para obtener más información, póngase en contacto con el servicio de asistencia de Keysight en <https://www.keysight.com/find/assist>.

## Equipos electrónicos y eléctricos en los desperdicios (WEEE)

Este instrumento cumple con el requisito de rotulado de la Directiva WEEE. La etiqueta adherida al producto (ve más abajo) indica que usted no debe desechar este producto eléctrico/electrónico junto con los desperdicios domésticos.

Categoría del producto: En cuanto a los tipos de equipos del Anexo 1 de la directiva WEEE, este producto se clasifica como “Instrumento de control y supervisión”. No desechar con desperdicios del hogar.

Para devolver productos no deseados, contáctese con su oficina local de Keysight, o consulte

[About.keysight.com/en/companyinfo/environment/takeback.shtml](http://About.keysight.com/en/companyinfo/environment/takeback.shtml) para ver más información.



## Declaración de conformidad

Las declaraciones de conformidad de este producto y otros productos Keysight se pueden descargar de Internet. Vaya a <https://regulations.about.keysight.com/DoC/default.htm>. Puede buscar por número de producto la declaración de conformidad más reciente.

## Información de seguridad

### PRECAUCIÓN

Un aviso de PRECAUCIÓN indica peligro. Informa sobre un procedimiento o práctica operativa que, si no se realiza o se cumple en forma correcta, puede resultar en daños al producto o pérdida de información importante. En caso de encontrar un aviso de PRECAUCIÓN no prosiga hasta que se hayan comprendido y cumplido totalmente las condiciones indicadas.

---

### ADVERTENCIA

Un aviso de ADVERTENCIA indica peligro. Informa sobre una práctica, un procedimiento operativo o alguna tarea similar que, si no se realiza o cumple en forma correcta, podría causar lesiones o la muerte. En caso de encontrar un aviso de ADVERTENCIA, interrumpa el procedimiento hasta que se hayan comprendido y cumplido las condiciones indicadas.

---



# Información reglamentaria y de seguridad

## Consideraciones de seguridad

Las siguientes precauciones generales de seguridad deben respetarse en todas las fases de operación, servicio y reparación de este instrumento. Si no se respetan estas precauciones o las advertencias específicas mencionadas en este manual, se violan las normas de seguridad de diseño, fabricación y uso intencional del instrumento. Keysight Technologies no asumirá ninguna responsabilidad si el cliente no cumple con estos requisitos.

**ADVERTENCIA** ANTES DE CONECTAR LA ELECTRICIDAD

- Compruebe que se haya instalado el fusible de apropiado.
- Asegúrese de que las fluctuaciones de la alimentación eléctrica de la red no excedan el  $\pm 10\%$  de la tensión nominal de alimentación.

---

CONECTE A TIERRA EL INSTRUMENTO

Se trata de un instrumento de Clase de seguridad I (suministrado con terminal a tierra de protección). Para minimizar el riesgo de descarga eléctrica, el chasis y el gabinete del instrumento deben estar conectados a una toma de tierra eléctrica. El instrumento debe conectarse a la red de alimentación de CA mediante un cable de alimentación de tres conductores, con el tercer cable firmemente conectado a una toma de tierra eléctrica (toma de tierra de seguridad) en la toma de corriente. Cualquier interrupción del conductor de protección (conexión a tierra) o desconexión del terminal a tierra de protección causará un peligro potencial de descarga eléctrica que podría resultar en lesiones personales. Si el instrumento va a recibir energía a través de un transformador automático externo para reducir la tensión, asegúrese de que el terminal común del transformador automático esté conectado al neutro (polo a tierra) de las líneas de alimentación de CA (alimentación eléctrica).

---

NO UTILICE EL PRODUCTO EN UNA ATMOSFERA EXPLOSIVA O AMBIENTES HÚMEDOS.

No haga funcionar el dispositivo alrededor de gases o emanaciones inflamables, vapores o en ambientes húmedos.

---

NO UTILICE INSTRUMENTOS DAÑADOS O DEFECTUOSOS

Debe interrumpir la operación de cualquier instrumento que parezca dañado o defectuoso para protegerlos de usos indebidos hasta que el personal de servicio calificado pueda repararlo.

---

NO SUSTITUYA PARTES O MODIFIQUE EL INSTRUMENTO

Debido al peligro de introducir peligros adicionales, no instale piezas de recambio ni realice ninguna modificación no autorizada en el instrumento. Si el producto precisa mantenimiento o reparaciones, devuélvalo a la oficina de ventas y reparaciones de Keysight Technologies para asegurarse de que se mantengan las medidas de seguridad. Para comunicarse con Keysight y solicitar asistencia técnica o de ventas, consulte los enlaces de soporte de estos sitios web de Keysight: [www.keysight.com/find/assist](http://www.keysight.com/find/assist) (información de contacto para reparación y servicio en todo el mundo).

---

UTILICE EL CABLE DE ALIMENTACIÓN SUMINISTRADO

Utilice el dispositivo con el cable de alimentación suministrado en el envío.

---

USE EL DISPOSITIVO COMO SE ESPECIFICA

Si el dispositivo se utiliza de una forma no especificada por fabricante, la protección del dispositivo puede dañarse.

---

CATEGORÍA DE MEDICIÓN IEC II

Los terminales de entrada HI y LO pueden conectarse a la red de suministro eléctrico en las instalaciones de categoría II de IEC para tensiones de línea de hasta 300 VCA rms. Para evitar el peligro de descargas eléctricas, no conecte las entradas a una red de suministro eléctrico con tensiones de línea superiores a 300 VCA rms. Consulte "Protección de sobretensión para medición IEC categoría II" en la página siguiente para más información.

---

CONSULTE TODAS LAS LEYENDAS EN EL DISPOSITIVO ANTES DE CONECTARSE A ESTE

Observe todas las leyendas en el dispositivo antes de realizar conexiones de cableado.

---

FUSIBLES DE PROTECCIÓN DE LÍNEA Y CORRIENTE

Para obtener una protección continua contra incendios, reemplace el fusible de línea y el fusible de protección de corriente solo con fusibles del tipo y clasificación especificado.

---

ASEGÚRESE DE QUE LA COBIERTA ESTÁ ASEGURADA EN SU LUGAR

No opere el dispositivo sin la cubierta o si la misma está floja. Solo el personal calificado y entrenado para dicho servicio debe retirar la tapa del instrumento.

---

#### LÍMITES DE PROTECCIÓN

Para evitar daños en el instrumento y el riesgo de descarga eléctrica, no exceda los límites de protección definidos en la sección siguiente.

---

#### ASEGURARSE DE QUE EL CABLE DE PRUEBA SE UTILIZA SEGÚN LO ESPECIFICADO

Si los cables de prueba se utilizan de una manera no especificada por Keysight Technologies, la protección proporcionada puede verse afectada. Además, no utilice cables de prueba dañados o desgastados. Pueden provocar daños en el equipo o lesiones personales.

---

#### MEDICIÓN DE TENSIONES MAYORES A 30 VRMS, 42 VPK, O 60 VCC

Medir tensiones superiores a 30 Vrms, 42 Vpk o 60 Vcc siempre es peligroso. TODOS los terminales de los multímetros deben considerarse peligrosos cuando las entradas son superiores a 30 Vrms, 42 Vpk, o 60 Vcc y están conectados a CUALQUIER terminal de entrada. Considere que todos los terminales tienen el mismo potencial que la mayor tensión aplicada a cualquier terminal.

---

#### CABLE DE ALIMENTACIÓN DE CA

El método de desconexión para quitar la alimentación del instrumento es extraer el cable de alimentación de CA. Asegúrese de contar con el acceso adecuado al cable de alimentación para permitir la desconexión de la alimentación de CA. Use solo el cable de alimentación especificado por Keysight para el país de uso o uno con clasificaciones equivalentes.

---

#### NO SUPEREN EL LÍMITE DE MEDICIÓN

No exceda los límites de medición definidos en las especificaciones para evitar daños en el instrumento y el riesgo de choque eléctrico.

---

#### FUNCIONAMIENTO EN MODO REMOTO

Cuando se opera en modo remoto, el equipo remoto es quien activa las mediciones, que no se actualizarán continuamente en la pantalla del instrumento. Consulte siempre el equipo remoto para ver la medición real.

---

**PRECAUCIÓN****LIMPIE CON UN PAÑO LIGERAMENTE HUMEDECIDO**

Limpie el exterior del instrumento con un paño suave que no deje pelusas humedecido. No utilice detergentes, líquidos volátiles ni químicos disolventes.

---

**PRESENCIA DE CAMPOS ELECTROMAGNÉTICOS (EM) Y RUIDO AMBIENTAL**

Es posible que se produzca la degradación de algunas especificaciones del producto si en el ambiente hay campos electromagnéticos (EM) y ruido que se acopla a la línea de alimentación o cables de E/S del producto. El producto se auto recupera y opera según las especificaciones cuando se elimina tanto el origen del campo EM en el ambiente como el ruido, o cuando se protege al producto del campo EM en el ambiente o si los cables del producto se aíslan del ruido del EM en el ambiente.

---

**PRECAUCIÓN CUANDO SE TRABAJA CON TENSIONES SUPERIORES A 30 VRMS, 42 VPK, O 60 VCC**

Utilícelo con precaución cuando trabaje con tensiones superiores a 30 Vrms, 42 Vpk o 60 Vcc. Estas tensiones constituyen un peligro de descarga.

---

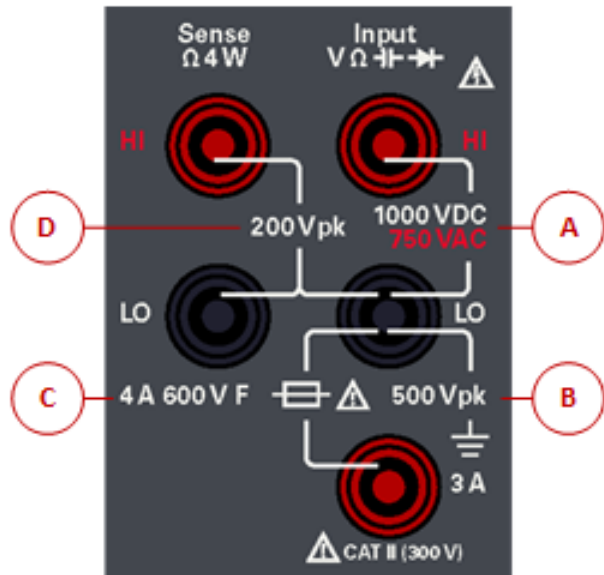
**CUIDADO AL CONECTAR LOS CABLES ABIERTOS A LOS TERMINALES DE SESOR HI (ALTO) Y SESOR LO (BAJO)**

Cuando no se usa, los terminales del sensor Hi y Lo no se conectan. No conecte los cables abiertos a estos terminales o desconecte estos terminales con un dispositivo externo.

---

## Límites de protección

El multímetro digital de 5½ dígitos EDU34450A de Keysight proporciona circuitos de protección para evitar daños en el instrumento y para proteger contra el peligro de descarga eléctrica, siempre que no se sobrepasen los límites de protección. Para garantizar un funcionamiento seguro del instrumento, no exceda los límites de protección indicados en el panel frontal, tal como se definen a continuación:



## Límites de protección del terminal de entrada

Los límites de protección se definen para los terminales de entrada:

**Principales terminales de entrada (HI y LO).** Los terminales de entrada HI y LO se utilizan para pruebas de tensión, resistencia, capacitancia y diodo. Se definen dos límites de protección para estos terminales:

- **Límite de protección HI a LO.** El límite de protección de HI a LO ("A" en la figura anterior) es 1000 VCC o 750 VCA, que también es la medición de tensión máxima. Este límite también puede expresarse como máximo de 1000 Vpk.
- **LO hasta el límite de protección a tierra.** El terminal de entrada LO puede con seguridad "flotar" a un máximo de 500 Vpk respecto a tierra. Se trata del límite de protección "B" en la figura de arriba.

Aunque no se muestra en la figura, el límite de protección para el terminal HI es un máximo de 1000 Vpk respecto a tierra. Por lo tanto, la suma de la tensión de "flotación" y la tensión medida no debe exceder los 1000 Vpk.

**Terminal de entrada de corriente.** La terminal de entrada de corriente ("I") tiene un límite de protección de 3 A (rms) de corriente máxima que fluye desde el terminal de entrada LO. Se trata del límite de protección "C" en la figura de arriba. Tenga en cuenta que la terminal de entrada de corriente tendrá aproximadamente la misma tensión que el terminal LO.

### NOTA

El circuito de protección de corriente incluye un fusible en el panel frontal. Para mantener la protección, reemplace este fusible solo por uno del tipo y características similares.

---

## Límites de protección del terminal del sensor

Los terminales del sensor HI y LO se utilizan únicamente para las mediciones de resistencia de cuatro cables (" $\Omega$  4W"). El límite de protección es de Vpk 200 para todos los terminales de emparejamiento ("D" en la figura de arriba):

- Sensor LO a entrada LO.
- Sensor HI a entrada LO.
- Sensor HI a sensor LO.

### NOTA

El límite de Vpk 200 en los terminales del sensor es el límite de protección. Las tensiones operativas en las mediciones de resistencia son muy inferiores a 5 V en funcionamiento normal.

---

## Protección de sobretensión Categoría II, Medición IEC



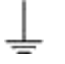
Para protegerse contra el peligro de choque eléctrico, el multímetro digital 5½ EDU34450A de Keysight proporciona protección contra sobretensión para las conexiones de suministro eléctrico que cumplan con ambas condiciones descritas a continuación:

- Los terminales de entrada HI y LO están conectados a la red de suministro eléctrico según las condiciones de la Medición categoría II, que se definen a continuación, y
- La red de suministro eléctrico posee un límite con una tensión de línea máxima de 300 VCA rms.






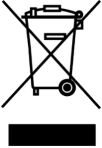
La Categoría de medición IEC II incluye aparatos eléctricos conectados a la red de suministro eléctrico en un tomacorriente en un circuito derivado. Estos dispositivos incluyen la mayoría de los electrodomésticos pequeños, equipos de prueba y otros dispositivos que se conectan a un tomacorrientes derivado. El EDU34450A puede utilizarse para hacer mediciones con las entradas HI y LO conectadas a la red de suministro eléctrico en tales dispositivos, o al tomacorrientes derivado (hasta 300 VCA rms). Sin embargo, el EDU34450A no puede utilizarse con las entradas HI y LO conectadas a la red de suministro eléctrico en los dispositivos eléctricos instalados permanentemente como el panel del disyuntor principal, cajas de desconexión del subpanel o motores conectados permanentemente. Dichos dispositivos y circuitos están sujetos a sobretensiones que pueden exceder los límites de protección del EDU34450A.

Las tensiones superiores a 300 VCA rms pueden medirse únicamente en circuitos que están aislados de la red de suministro eléctrico. Sin embargo, las sobretensiones transitorias también están presentes en los circuitos que se aíslan de la red de suministro eléctrico. El EDU34450A está diseñado para soportar con seguridad sobretensiones ocasionales de hasta 2500 Vpk. No utilice este multímetro para medir circuitos con sobretensiones que podrían superar este nivel.

## Símbolos de seguridad

Símbolo	Descripción
	Precaución, peligro (consulte este manual para obtener información específica respecto de Advertencia o Precaución).
	Terminal a tierra de protección.
	Conexión a tierra
<b>CAT II</b> <b>300 V</b>	Categoría de medición IEC II. Las entradas pueden conectarse a la red (hasta 300 VCA rms) bajo condiciones de sobretensión de categoría II.
<b>ADVERTENCIA</b>	Una señal de ADVERTENCIA indica peligro. Informa sobre una práctica, un procedimiento operativo o alguna tarea similar que, si no se realiza o cumple en forma correcta, podría causar lesiones o la muerte. En caso de encontrar una señal de ADVERTENCIA no prosiga hasta que se hayan comprendido y cumplido totalmente las condiciones indicadas.
<b>PRECAUCIÓN</b>	Una señal de PRECAUCIÓN indica peligro. Informa sobre un procedimiento operativo o alguna tarea similar que, si no se realiza o se cumple en forma correcta, puede resultar en daños al producto o destrucción de partes de este. En caso de encontrar una señal de PRECAUCIÓN no prosiga hasta que se hayan comprendido y cumplido totalmente las condiciones indicadas.
<b>NOTA</b>	La señal NOTA indica información importante. Informa sobre una práctica, un procedimiento operativo, una condición o alguna situación similar que es importante resaltar.

## Marcas regulatorias

Símbolo	Descripción
	La marca RCM es una marca registrada de la Autoridad Australiana de Comunicaciones y Medios de Información.
	La marca CE es una marca registrada de la Comunidad Europea. Esta marca CE indica que el producto cumple con todas las Directivas legales europeas relevantes. ICES/NMB-001 indica que este dispositivo ISM cumple con la norma canadiense ICES-001. Cet appareil ISM est conforme a la norme NMB-001 du Canada. ISM GRP. 1 Clase A indica que este es un producto Clase A 1 del Grupo Industrial, Científico y Médico.
	Este símbolo indica el período durante el cual se espera que ningún elemento de sustancias peligrosas o tóxicas se filtre o se deteriore por el uso normal. Cuarenta años es la vida útil esperada del producto.
	Este símbolo es una declaración de EMC clase A de Corea del Sur. Se trata de un instrumento de clase A diseñado para uso profesional y en entornos electromagnéticos fuera del hogar.
	La marca CSA es una marca registrada de la Asociación Canadiense de Estándares.
	Este Instrumento cumple con el requisito de rotulado de la Directiva WEEE. Esta etiqueta adosada al producto indica que no se debe desechar este producto eléctrico o electrónico con los desperdicios del hogar.

## Declaración de EMC clase A de Corea del Sur:

Información al usuario:

Este equipo ha sido evaluado para su conformidad en entornos empresariales. En un entorno residencial, este equipo puede causar interferencias de radio.

- Esta declaración de EMC se aplica al equipo solo para uso en el entorno empresarial.

### 사용자 안내문

이 기기는 업무용 환경에서 사용할 목적으로 적합성평가를 받은 기기로서 가정용 환경에서 사용하는 경우 전파간섭의 우려가 있습니다.

- 사용자 안내문은 “업무용 방송통신기자재”에만 적용한다.



## Seguridad y requisitos de EMC

Esta fuente de alimentación está diseñada para cumplir con los siguientes requisitos de seguridad y compatibilidad electromagnética (EMC):

- Directiva de Baja Tensión 2014/35/UE
- Directiva EMC 2014/30/UE

## Condiciones ambientales

Este instrumento está diseñado para uso en interiores y en un área con baja condensación. La tabla a continuación muestra los requisitos ambientales generales para este instrumento.

Condición ambiental	Requisito
Temperatura	Condiciones de funcionamiento: 0 °C a 55 °C Condiciones de almacenamiento: -40 °C a 70 °C
Humedad	Precisión máxima de hasta 80 % de HR de 0 °C a 30 °C (sin condensación) <b>Precisión máxima de hasta 40% de HR de 30 °C a 55 °C (sin condensación)</b>
Altitud	3000 m
Grado de contaminación	2
Fuente de alimentación y frecuencia de la línea	100, 120, 220, 240 V 50/60 Hz
Consumo de energía	13 VA máximo

# 1 Introducción al Instrumento

Breve descripción del instrumento

Breve descripción del panel frontal

Breve descripción de la pantalla del panel frontal

Breve descripción de los botones del panel frontal

Breve descripción del panel posterior

Información sobre los fusibles

Dimensiones del instrumento

El multímetro de 5 ½ dígitos EDU34450A de Keysight permite proporcionar una amplia gama de funciones de medición, tales como tensión de CC, corriente CC, tensión y corriente CA True RMS, resistencia de 2 y 4 cables, frecuencia, prueba de diodos, continuidad, capacitancia y mediciones de temperatura.

## Breve descripción del instrumento

El Multímetro digital de 5½ dígitos EDU34450A de Keysight ofrece una amplia gama de capacidades de medición con una pantalla e interfaz de usuario líderes en su clase.

### Características principales:

- Once funciones de medición; DCV, DCI, True RMS ACV, ACI, resistencia de 2 y 4 cables, frecuencia, continuidad, prueba de diodos, capacitancia y temperatura
- Pantalla intuitiva a color de 7 pulgadas WVGA de doble medición
- Exactitud básica del DCV de 0.015 % para 1 V
  - 100 mV: 0.018%
  - 1 V: 0.015%
  - 10 V: 0.025%
  - 100 V: 0.025%
  - 1000 V: 0.027%
- Hasta 5.000 puntos de memoria de registro de datos
- Conectividad USB y LAN de la PC
- Incluye el software Pathwave BenchVue

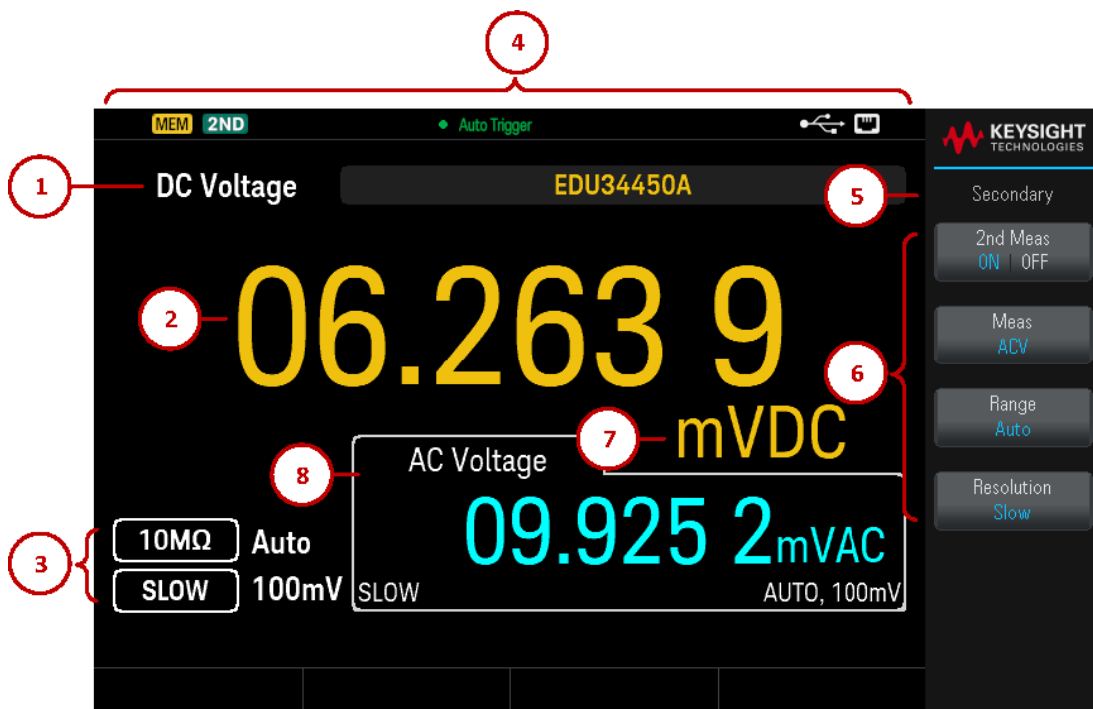
## Breve descripción del panel frontal



Leyenda	Descripción
1	Pantalla WVGA de 7 pulgadas

Leyenda	Descripción
2	Interruptor <b>[ON/OFF]</b> (ENCENDIDO/APAGADO)
3	Puerto USB: permite conectar una unidad flash USB externa al instrumento  <div style="background-color: #cccccc; padding: 2px; display: inline-block; margin-bottom: 5px;"><b>NOTA</b></div> La serie EDU34450A admite memorias USB con la siguiente especificación: USB 2.0, formato FAT32, de hasta 32 GB. Recomendamos usar una unidad flash SanDisk Cruzer Blade para el puerto USB del panel frontal.
4	Botón <b>[Back]</b> (Atrás)  <div style="background-color: #cccccc; padding: 2px; display: inline-block; margin-bottom: 5px;"><b>NOTA</b></div> Mantenga presionado el botón <b>[Back]</b> (Atrás) durante más de 3 segundos mientras la unidad flash USB externa está conectada para capturar automáticamente la pantalla del instrumento. La imagen capturada se guardará en la unidad flash USB conectada.
5	Teclas de función
6	Botón <b>[Enter]</b> [Intro] y las teclas de flecha
7	Botones de medición
8	Principal: Botones <b>[Display]</b> [Mostrar], <b>[Acquire]</b> [Adquirir], <b>[Run/Stop]</b> [Ejecutar/Parar], <b>[Store/Recall]</b> [Almacenar/Recuperar] y <b>[Null]</b> [Nulo]. Secundaria: 2º (pantalla secundaria), botones <b>Probe Hold (Retención de sonda)</b> , <b>Utility</b> (Utilidad) y <b>Math</b> (Matemáticas)
9	Los botones <b>[ - ], Range</b> (Rango), y <b>[ + ]</b>
10	Botón <b>[Shift]</b> (Bloq. mayús.)   <b>Local</b>
11	Terminales de entrada
12	Soportes para fusibles

## Breve descripción de la pantalla del panel frontal



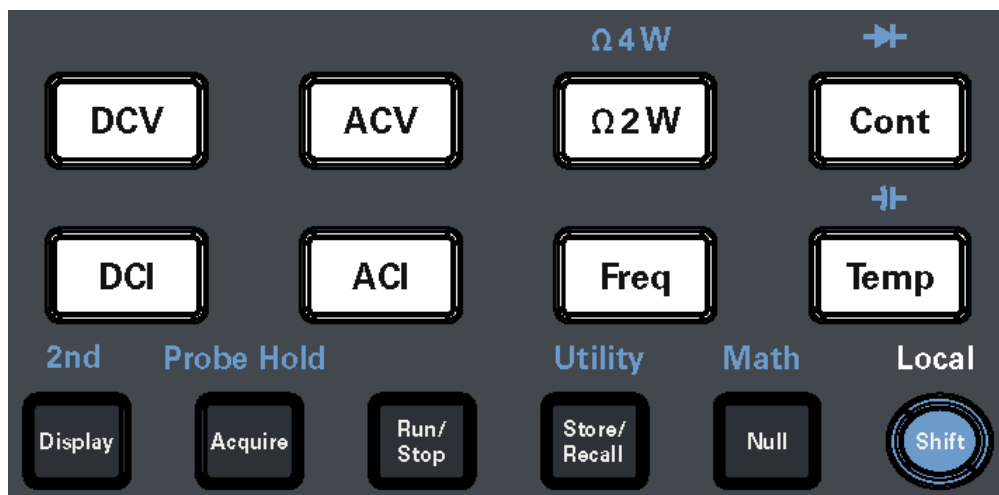
Leyenda	Descripción
1	Nombre de la función de medición principal
2	Valor de medición principal
3	Parámetros de medición principal
4	Indicadores de estado del instrumento
5	Nombre del menú de la tecla de función
6	Etiquetas de la tecla de función
7	Unidad de medida
8	Función, valor y parámetros de medición secundaria, (cuando está ENCENDIDO)

## Indicadores de estado del instrumento

Leyenda	Descripción
	La unidad flash USB está conectada
	La LAN está conectada
	El instrumento está en modo remoto
	La medición secundaria está activada.
	Los datos se registran a través de la operación de registro de datos.
	Bloq mayús. está activado.
	El instrumento funciona en modo continuo.

Leyenda	Descripción
Probe Hold	Probe hold está encendido.
Aguardar disparo	El registro de datos se ha encendido; el instrumento está esperando el disparo del registro de datos.
Registro de datos	El registro de datos se está ejecutando.
Disparo inmediato	Solo disponible para el modo remoto, se muestra cuando se envía READ? al instrumento. El <b>disparo inmediato</b> se muestra después de que el instrumento haya capturado una lectura.
Disparo de Bus	Solo disponible para el modo remoto, se muestra cuando se selecciona el disparador de bus. El <b>Disparo de Bus</b> se muestra después de que el comando INIT se envía al instrumento y este ha capturado una lectura.
Aguardar Bus	Solo disponible en modo remoto, se muestra cuando se selecciona el disparador del bus y se envía el comando INIT al instrumento.
Retraso en el registro de datos	Solo está disponible cuando el retardo de disparo se ajusta a más de 0 s con el registro de datos activado, se muestra después de pulsar <b>Run/Stop</b> (Ejecutar/detener).

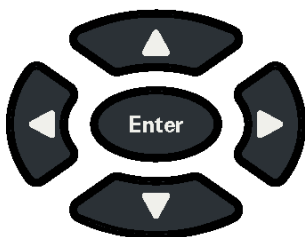
## Breve descripción de los botones del panel frontal



Leyenda	Descripción
[DCV]	Presione para activar la medición de la tensión de CC.
[ACV]	Presione para activar la medición de la tensión de CA.
[ $\Omega 2W$ ]	Presione para activar la medición de la resistencia de 2 cables.
$\Omega 4W$	Presione [Shift] (Bloq. mayús.) y luego [ $\Omega 2W$ ] para activar la medición de resistencia de 4 cables.
[Cont]	Presione para activar las pruebas de continuidad.
$\rightarrow$	Presione [Shift] (Bloq. mayús.) y luego [Cont] para activar las mediciones de diodo.
[DCI]	Presione para activar la medición de la corriente CC.
[ACI]	Presione para activar la medición de la corriente CA.
[Freq]	Presione para activar la medición de frecuencia.
[Temp]	Presione para activar la medición de temperatura.
$\pm$	Presione [Shift] (Bloq. mayús.) y luego [Temp] para activar la medición de capacidad.
[Display] (Pantalla)	Presione para acceder al menú de visualización.
Segundo	Presione [Shift] (Bloq. mayús.) y luego [Display] (Pantalla) para acceder al menú secundario.
[Acquire] (Adquirir)	Presione para adquirir una medición.
Probe Hold	Presione [Shift] (Bloq. mayús.) y luego presione [Acquire] (Adquirir) para acceder al menú Probe Hold.
[Run/Stop] (Ejecutar/Detener)	Presione para acceder al menú Ejecutar/Detener.
[Store/Recall] (Almacenar/Recuperar)	Presione para acceder al menú Almacenar/Recuperar.
Utility (Utilidad)	Presione [Shift] (Bloq. mayús.) y luego [Store/Recall] (Almacenar/Recuperar) para acceder al menú Utilidad.

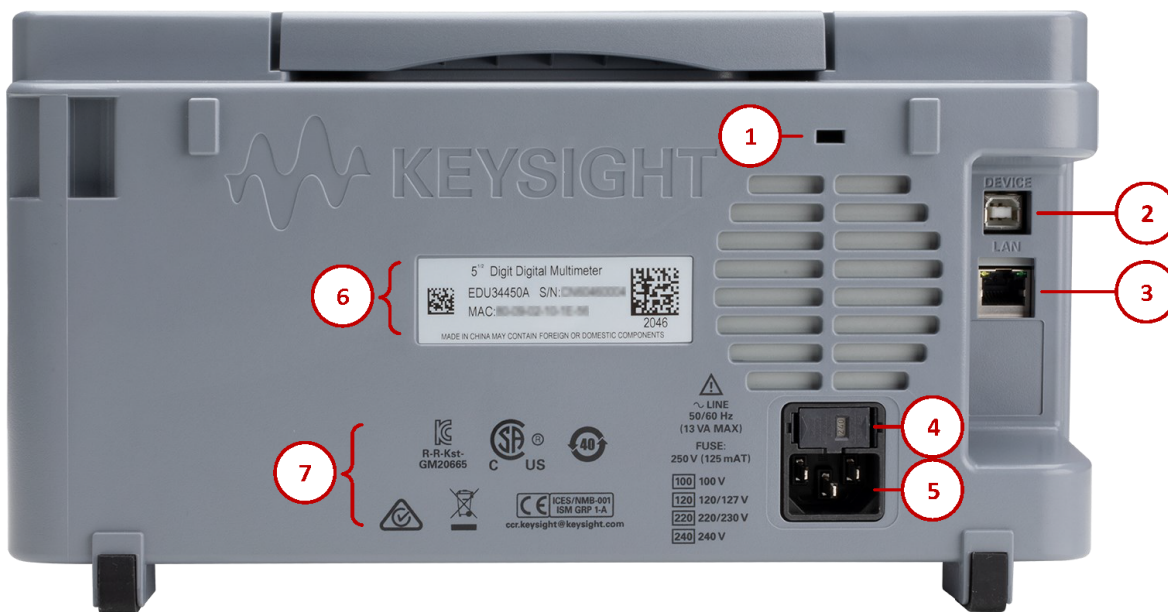
Leyenda	Descripción
[Null] (Nulo)	Presione para activar la función nula.
Math (Matemática)	Presione [Shift] (Bloq. mayús.) y luego [Null] (Nulo) para activar el menú de Matemáticas.
[Shift] (Bloq. mayús.)	Presione para acceder a la función secundaria de un botón.
Local	Presione durante el control remoto para recuperar el acceso a los botones del panel frontal.
[-] y [+]	Presione para disminuir o aumentar el rango de medición. Esto ajustará el instrumento al rango manual.
[Range] (Rango)	Presione para activar el rango automático.

### Navegación del panel frontal



Utilice las teclas de flecha para navegar por los menús y ajustar los valores. Utilice [Enter] [Intro] para confirmar su selección.

### Breve descripción del panel posterior



Leyenda	Descripción
1	Traba Kensington



Leyenda	Descripción
2	Conector de interfaz de bus serie universal (USB-B)
3	Conector de interfaz de la red de área local (LAN)
4	Fusible de línea CA
5	Conector de alimentación de CA
6	Número de serie del instrumento y la dirección MAC
7	Seguridad y etiquetas reglamentarias del instrumento

**ADVERTENCIA** Este es un equipo de clase de protección 1 (el chasis debe estar conectado a una toma de tierra de protección). El enchufe de la línea solo debe insertarse en una toma con terminal a tierra de protección

---

## Información sobre los fusibles

### Reemplazo del fusible de entrada de corriente

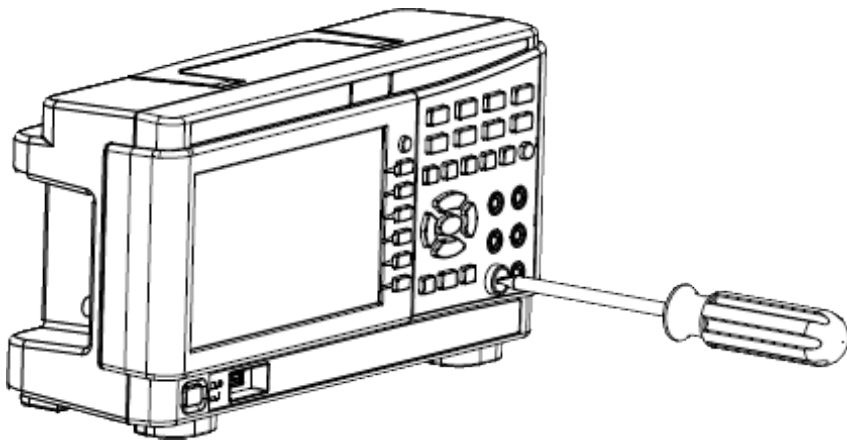
En la siguiente tabla se describe el fusible que debe utilizar.

Número de pieza del fusible	Descripción	Tipo de fusible
EDU34450-36202	Fusible de cerámica de acción rápida de 4 A, 600 V, 6 x 32 mm	Cartucho

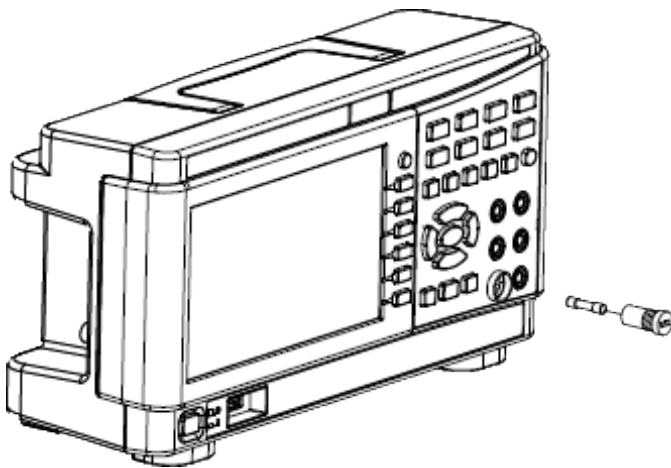
Si ha determinado que el fusible de entrada actual está defectuoso, sustitúyalo por uno del mismo tamaño y capacidad.

Para reemplazar un fusible fundido, siga los tres pasos que se muestran a continuación:

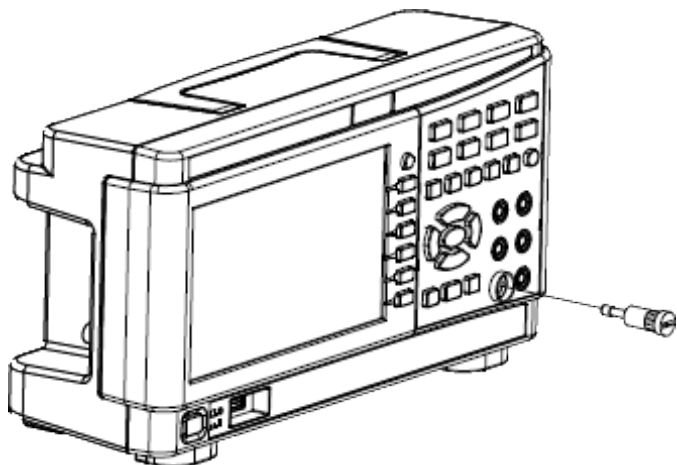
1. El fusible de entrada de corriente se encuentra en el panel frontal del instrumento. Con un destornillador de ranura (cabeza plana), gire el portafusibles a la derecha para sacarlo del instrumento.



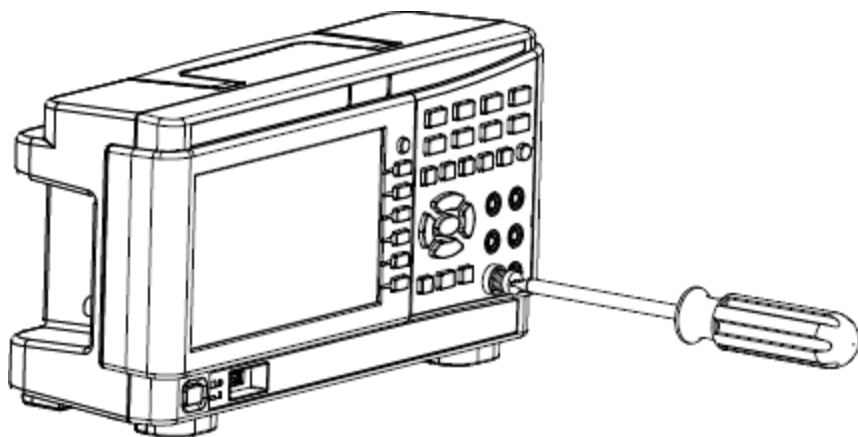
2. Retire el fusible fundido del portafusibles e inserte el fusible de repuesto adecuado.



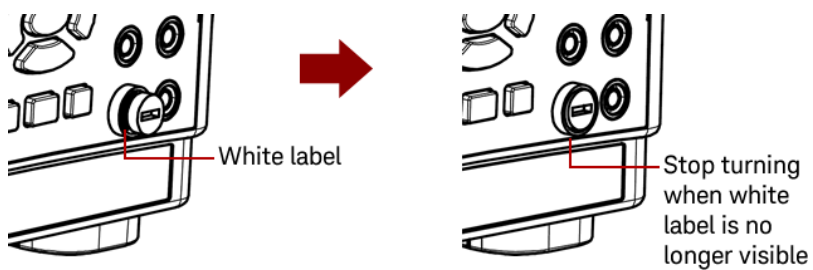
3. Vuelva a insertar el portafusibles en el instrumento.



4. Utilice un destornillador de ranura (cabeza plana) para girar el portafusibles a la izquierda para fijarlo en el instrumento.



(Gire el portafusibles hasta que la etiqueta blanca ya no sea visible.)



**PRECAUCIÓN**

Deje de girar el portafusibles cuando la etiqueta blanca ya no sea visible. No lo apriete demasiado, ya que el portafusibles de plástico puede romperse.

## Reemplazo del fusible de la línea de alimentación

El fusible de la línea de alimentación está situado dentro del conjunto de portafusibles del instrumento en el panel trasero. El multímetro se envía de fábrica con un fusible de línea eléctrica instalado.

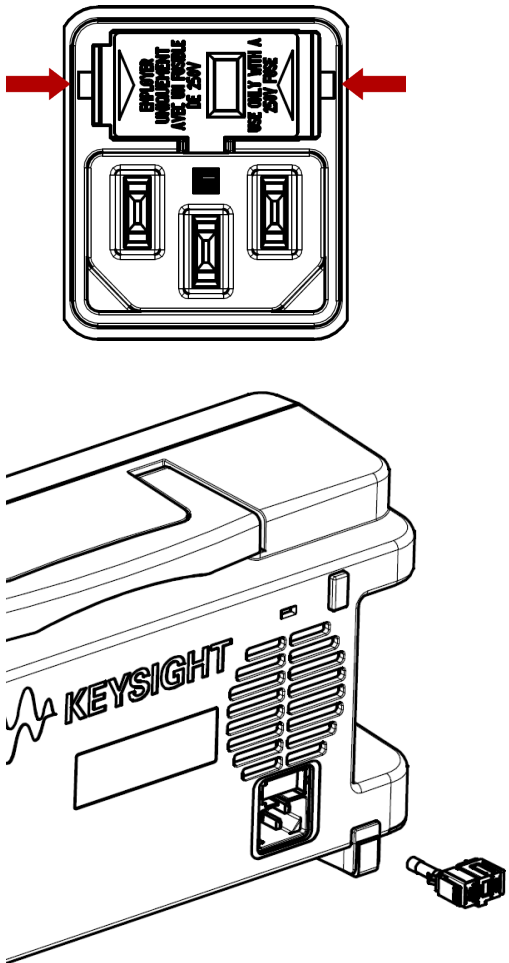
En la siguiente tabla se describe el fusible que debe utilizar.

Número de pieza del fusible	Descripción del fusible	Tipo de fusible
EDU34450-36200	Fusible de acción retardada de 125 mA, de vidrio, 5 x 20 mm.	Cartucho

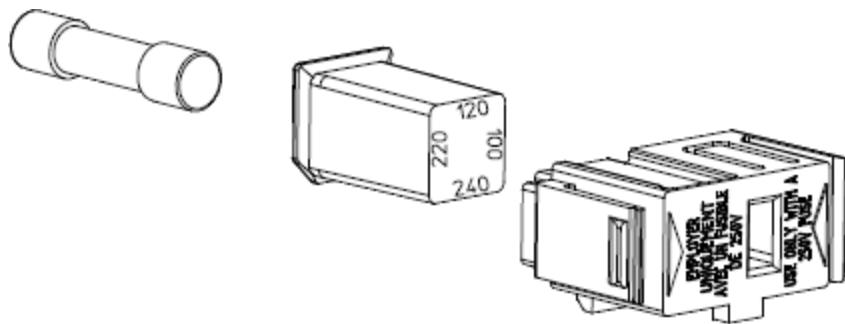
Si ha determinado que el fusible de línea de alimentación está defectuoso, sustitúyalo por uno del mismo tamaño y capacidad.

Para reemplazar un fusible fundido, siga los cuatro pasos que se muestran a continuación:

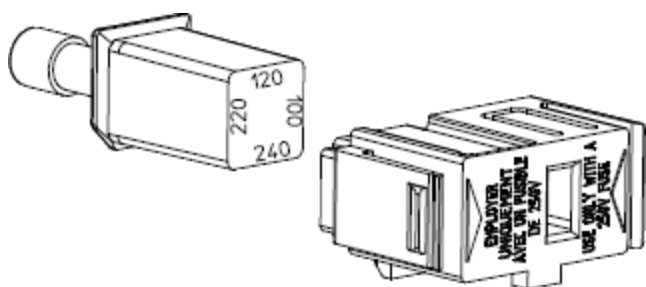
1. El fusible de línea de alimentación se encuentra en el panel posterior del instrumento. Desconecte el cable de alimentación. Use la punta de los dedos para presionar las pestañas izquierda y derecha, y luego retire el portafusibles tirando de él.



2. Retire el selector de tensión de línea del portafusibles y retire el fusible fundido del selector de tensión de línea.



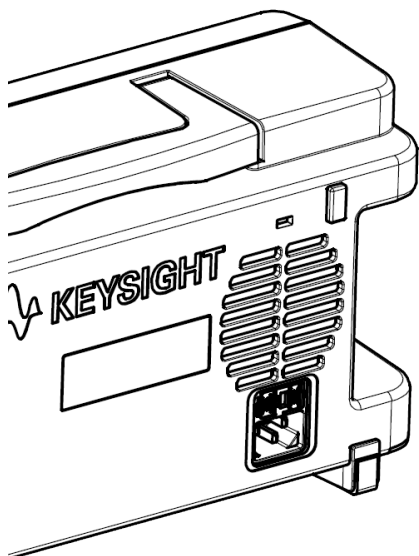
3. Inserte el fusible de repuesto adecuado en el selector de tensión de línea y vuelva a instalarlo para que aparezca la tensión correcta en la ventana del portafusibles.



**NOTA**

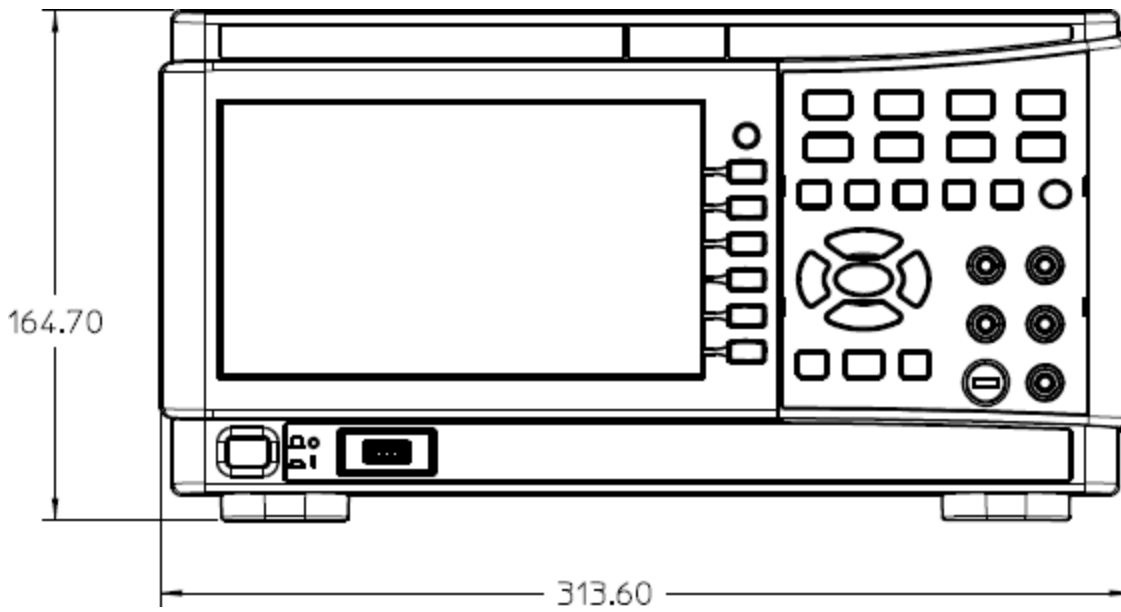
Para cambiar la clasificación de la tensión de línea del instrumento (100 V, 120 V, 220 V o 240 V), gire el selector de tensión de línea para que aparezca la tensión deseada en la ventana del portafusibles.

4. Vuelva a insertar el portafusibles en el instrumento. Asegúrese de escuchar un "clic" cuando asegure el portafusibles al instrumento.

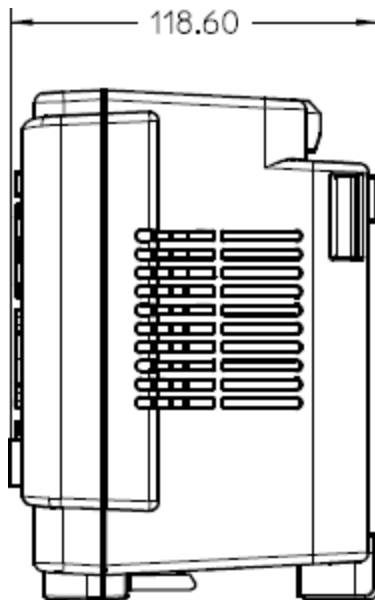


## Dimensiones del instrumento

Altura: 164.70 mm x ancho: 313.60 mm



Largo: 118.60 mm



# 2 Introducción

Preparación del instrumento para su uso

Realizar una medición

Seleccionar un rango

Cómo usar el sistema de ayuda incorporado

Conexiones de la interfaz remota

Configuraciones de la interfaz remota

Control remoto

En esta sección se describen los procedimientos básicos que lo ayudarán a comenzar a usar rápidamente el instrumento.

## Preparación del instrumento para su uso

Cuando recibe su instrumento, busque cualquier daño obvio que pueda haber ocurrido durante el envío. Si hay daños, notifique inmediatamente al transportista y a la oficina de ventas y soporte de Keysight más cercana. Consulte [www.keysight.com/find/assist](http://www.keysight.com/find/assist).

Hasta que haya verificado el instrumento, conserve el cartón de envío y los materiales de embalaje por si debe devolver la unidad. Revise la lista de a continuación y verifique que ha recibido estos artículos con su instrumento. Si falta algo, comuníquese con la oficina de ventas y soporte de Keysight más cercana.

- Guía de inicio rápido
- Cable de alimentación de CA (para el país de destino)
- Un juego de cables de prueba (EDU34450-62100)
- Certificado de calibración y aviso de vida útil
- Folleto de seguridad de Keysight (9320-6797)
- Anexo de RoHS para Multímetros Digitales (China) (9320-6661)

## Documentación y revisiones del firmware

La documentación que figura a continuación puede descargarse gratuitamente a través de nuestro sitio web en [www.keysight.com/find/EDU34450A-manuals](http://www.keysight.com/find/EDU34450A-manuals)

Guía de inicio rápido del multímetro digital de 5½ dígitos EDU34450A de Keysight. Se incluye una copia impresa con su instrumento.

Guía del usuario del multímetro digital de 5½ dígitos EDU34450A de Keysight. Este manual.

- Guía de referencia del programador del multímetro digital de 5½ dígitos EDU34450A de Keysight.
- Guía de servicio del multímetro digital de 5½ dígitos EDU34450A de Keysight.

Para consultar la última revisión del firmware y las instrucciones de actualización del firmware, vaya a [www.keysight.com/find/EDU34450A-sw](http://www.keysight.com/find/EDU34450A-sw).

## Intervalo de Calibración Recomendado

Keysight Technologies recomienda un ciclo de calibración de un año para este instrumento.

## Configure el instrumento

Coloque la base del instrumento en una superficie horizontal plana y lisa. Conecte el cable de alimentación al panel trasero y luego conéctelo a la alimentación principal. Conecte los cables LAN o USB como desee, y también puede asegurar el instrumento con un cable de cierre de seguridad. Finalmente, encienda el instrumento con el botón **[On/Off]** (Encendido/apagado) del panel frontal.



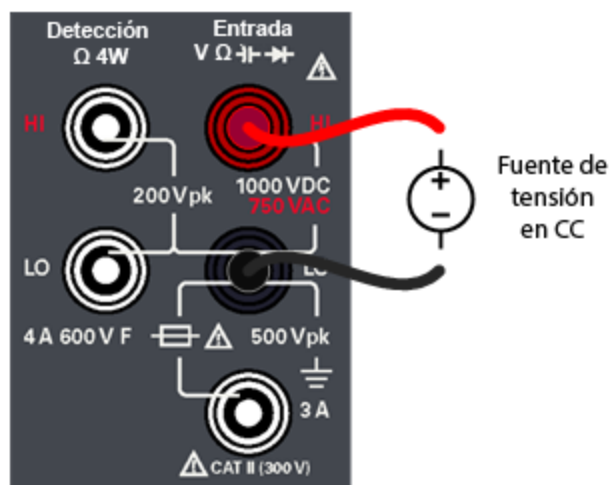
## Realizar una medición

### Medición de Tensión en CC

1. Presione [DCV].



2. Conecte los terminales como se muestra a continuación.



3. Lea la pantalla.

- Presione **Resolution** (Resolución) para cambiar la velocidad de lectura a **Slow**, **Medium** o **Fast**. (Lenta, Media o Rápida).
- Presione **Input Z** (Z de entrada) para ajustar la impedancia de entrada a **10MΩ** o **Auto**.

**ADVERTENCIA** No aplique ninguna tensión a las entradas del instrumento hasta que todos los terminales estén conectados correctamente. Enchufar o desenchufar el cable de prueba mientras se aplica una tensión alta puede dañar el instrumento y puede aumentar el riesgo de choque eléctrico.

---

### Parámetros de tensión de CC

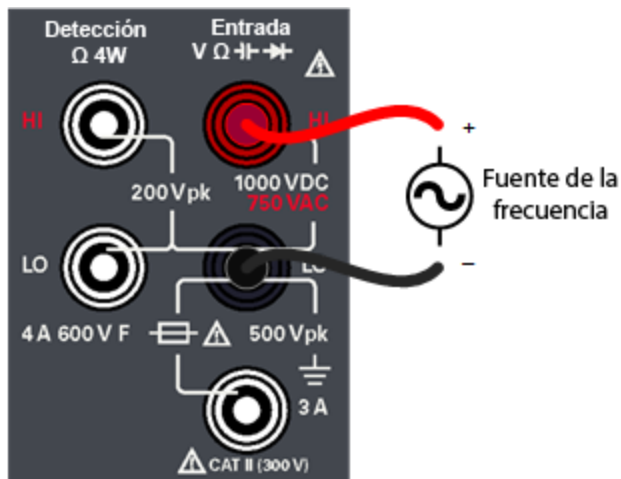
- Rango de medición: 100.000 mV, 1.00000 V, 10.0000 V, 100.000 V, 1000.00 V
- Velocidad: Lento, medio, rápido
- Valor predeterminado: Rango automático, velocidad de medición lenta
- Método de medición: Conversor sigma Delta de A a D
- Impedancia de entrada:  $>10\text{ G}\Omega$  rango seleccionado (solo 0.1 V y 1 V) o  $\sim 10\text{ M}\Omega$  todos los rangos (típico)
- Protección de la entrada: 1000 V en todos los rangos (terminal HI)

### Medición de tensión AC (RMS)

1. Presione [ACV].



2. Conecte los terminales como se muestra a continuación.



3. Lea la pantalla.

Presione **Resolution** (Resolución) para cambiar la velocidad de lectura a **Slow**, **Medium** o **Fast**. (Lenta, Media o Rápida).

**ADVERTENCIA** No aplique ninguna tensión a las entradas del instrumento hasta que todos los terminales estén conectados correctamente. Enchufar o desenchufar el cable de prueba mientras se aplica una tensión alta puede dañar el instrumento y puede aumentar el riesgo de choque eléctrico.

### Parámetros de tensión de CA

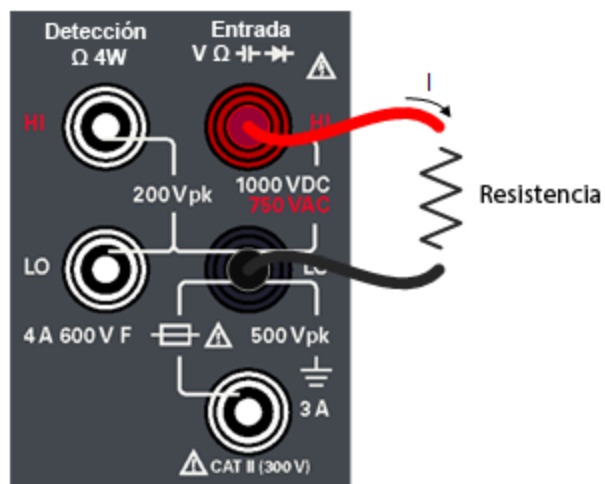
- Rango de medición: 100.000 mV, 1.00000 V, 10.0000 V, 100.000 V, 750.00 V
- Velocidad: Filtro de paso alto (HPF) lento-2 Hz, HPF medio-20 Hz, HPF rápido-200 Hz
- Valor predeterminado: Rango automático, velocidad de medición lenta
- Método de medición: CA RMS verdadero: mide el componente de CA con polarización de hasta 400 VCC en cualquier rango
- Factor de cresta: Máximo 3:1 a escala completa
- Impedancia de entrada:  $>1.1 \text{ M}\Omega$  en paralelo con  $<100 \text{ pF}$  en todos los rangos
- Protección de la entrada: 750 V rms en todos los rangos (terminal HI)

## Medición de la resistencia de 2 cables

1. Presione [**Ω2W**].



2. Conecte los terminales como se muestra a continuación.



3. Lea la pantalla.

- Presione **Resolution** (Resolución) para cambiar la velocidad de lectura a **Slow**, **Medium** o **Fast**. (Lenta, Media o Rápida).
- Presione **OCOMP** para activar (**ON**) o desactivar (**OFF**) la compensación.

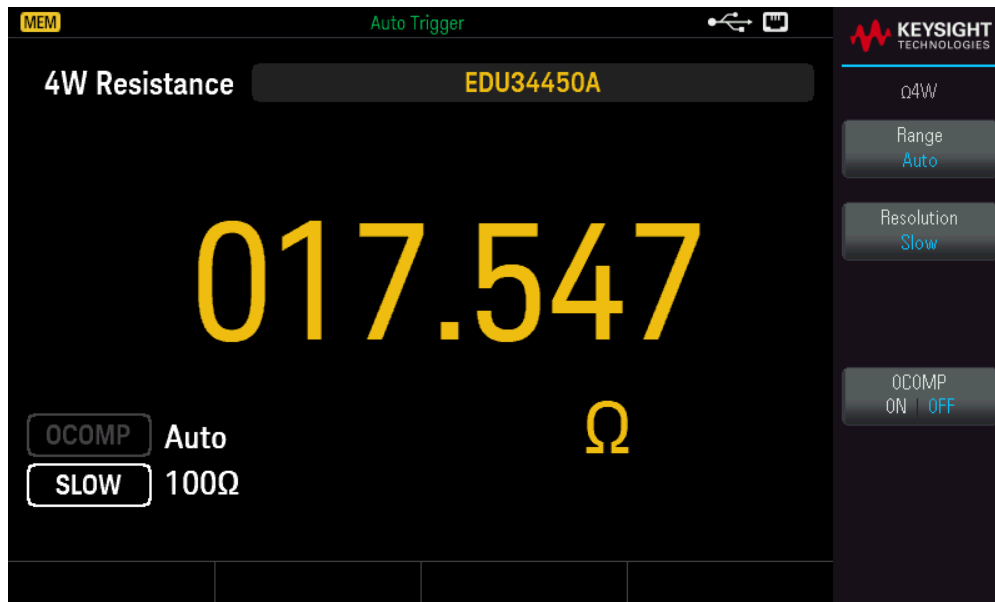
### Parámetros de resistencia de 2 cables

- Rango de medición: 100.000 Ω, 1.00000 kΩ, 10.0000 kΩ, 100.000 kΩ, 1.00000 MΩ, 10.0000 MΩ, 100.000 MΩ.

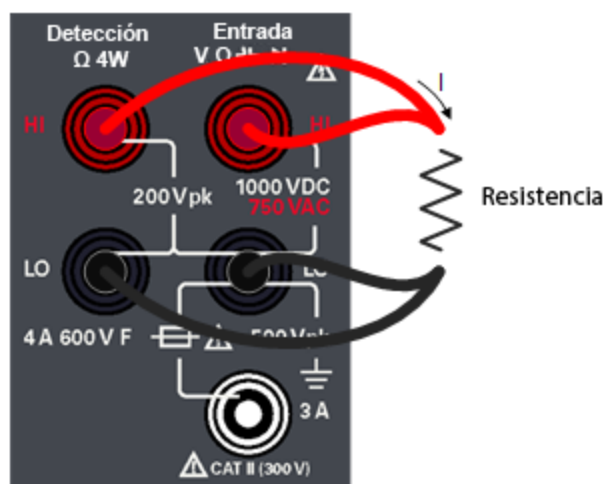
- Velocidad: Lento, medio, rápido
- Valor predeterminado: Rango automático, velocidad de medición lenta
- Método de medición: Ohmios de dos cables:
- Protección de la entrada: 1000 V en todos los rangos (terminal HI)

### Medición de la resistencia de 4 cables

1. Presione [Shift] > [ $\Omega$ 2W] |  $\Omega$ 4W. ([Bloq. mayús.] [ $\Omega$ 2W] |  $\Omega$ 4W).



2. Conecte los terminales como se muestra a continuación.



3. Lea la pantalla.

- Presione **Resolution** (Resolución) para cambiar la velocidad de lectura a **Slow**, **Medium** o **Fast**. (Lenta, Media o Rápida).
- Presione **OCOMP** para activar (**ON**) o desactivar (**OFF**) la compensación.

### Parámetros de resistencia de 4 cables

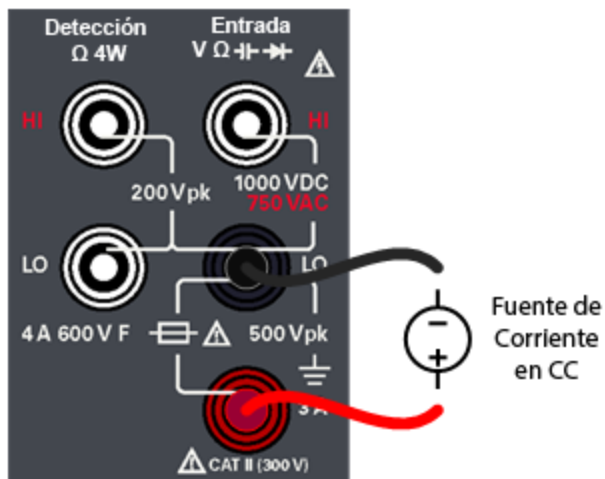
- Rango de medición: 100.000  $\Omega$ , 1.00000 k $\Omega$ , 10.0000 k $\Omega$ , 100.000 k $\Omega$ , 1.00000 M $\Omega$ , 10.0000 M $\Omega$ , 100.000 M $\Omega$ .
- Velocidad: Lento, medio, rápido
- Valor predeterminado: Rango automático, velocidad de medición lenta
- Método de medición: Ohmios de cuatro alambres
- Protección de la entrada: 1000 V en todos los rangos (a través de terminales HI-LO), 200 V (a través de terminales HI Sense-LO Sense).

### Medición de Corriente en CC

1. Presione **[DCI]**.



2. Conecte los terminales como se muestra a continuación.



3. Lea la pantalla.

Presione **Resolution** (Resolución) para cambiar la velocidad de lectura a **Slow**, **Medium** o **Fast**. (Lenta, Media o Rápida).

#### Parámetros de corriente de DC

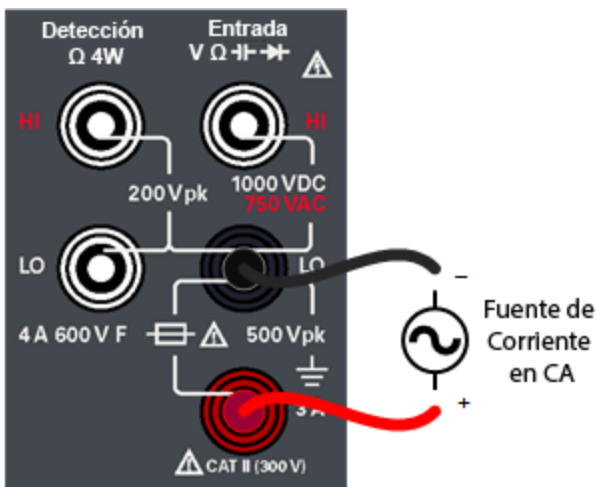
- Rango de medición: 10.0000 mA, 100.000 mA, 1.00000 A, 3.0000 A
- Velocidad: Lento, medio, rápido
- Valor predeterminado: Rango automático, velocidad de medición lenta
- Resistencia de derivación: 1  $\Omega$  para 10 mA y 100 mA, y 0.1  $\Omega$  para rangos de 1 A a 3 A
- Protección de la entrada: Panel frontal, 4 A 600 V fusible cerámico de acción rápida

#### Medición de corriente en CA

1. Presione **[ACI]**.



2. Conecte los terminales como se muestra a continuación.



3. Lea la pantalla.

Presione **Resolution** (Resolución) para cambiar la velocidad de lectura a **Slow**, **Medium** o **Fast**. (Lenta, Media o Rápida).

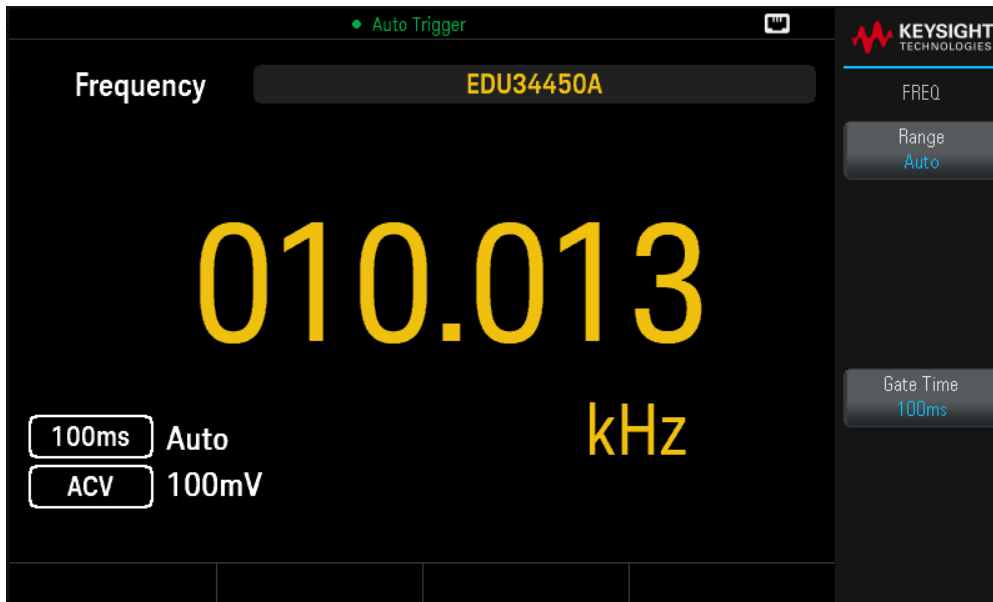
### Parámetros de corriente de AC

- Rango de medición: 10.0000 mA, 100.000 mA, 1.00000 A, 3.0000 A
- Velocidad: Filtro de paso alto (HPF) lento-2 Hz, HPF medio-20 Hz, HPF rápido-200 Hz
- Valor predeterminado: Rango automático, velocidad de medición lenta
- Resistencia de derivación: 1  $\Omega$  para 10 mA y 100 mA, y 0.1  $\Omega$  para rangos de 1 A a 3 A
- Protección de la entrada: Panel frontal, 4 A 600 V fusible cerámico de acción rápida

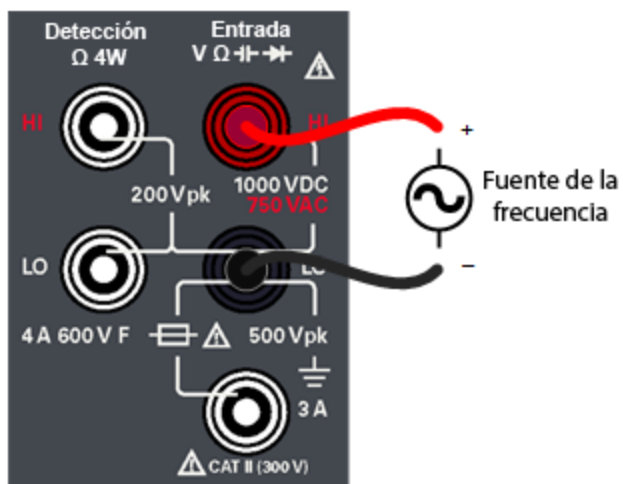


## Medición de la frecuencia para la tensión

1. Presione [ACV] > [Freq].



2. Conecte los terminales como se muestra a continuación.



3. Lea la pantalla.

Presione **Gate Time** (Tiempo de control) para cambiar el tiempo de control a **100ms** o **1s**.

### Frecuencia para los parámetros de tensión

- Rango de medición: 100.000 mV, 1.00000 V, 10.0000 V, 100.000 V, 750.00 V. El rango se basa en el nivel de tensión de la señal, no en la frecuencia.
- Método de medición: Técnica de conteo recíproca

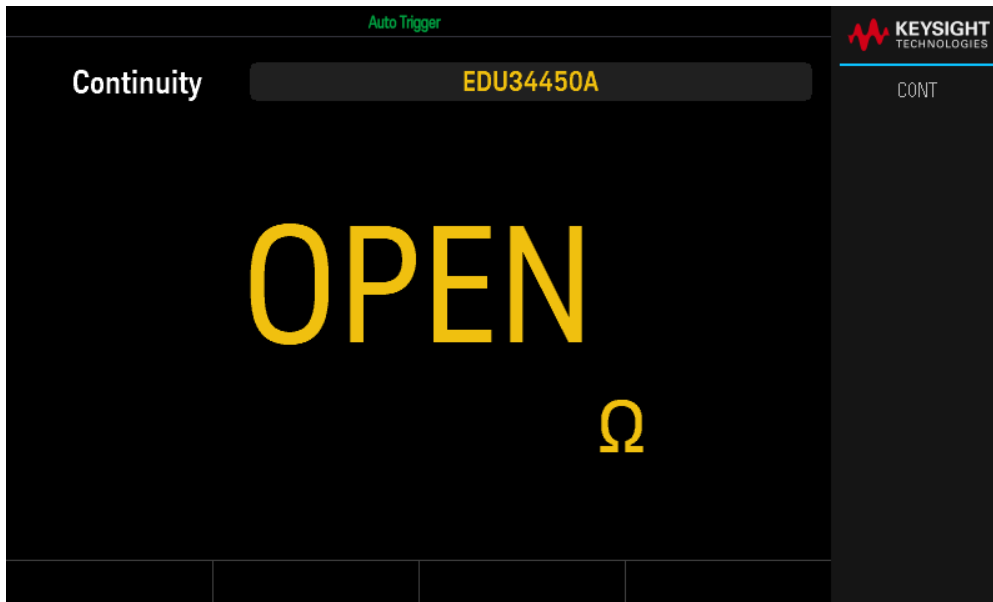
- Nivel de señal: 10 % del rango a entrada de escala completa en todos los rangos excepto donde se indique. Las especificaciones de rango de 100 mV son para escala completa o entradas superiores. Para entradas de 10 mV a 100 mV (en el rango de 100 mV), multiplique el % total de error de lectura por 10.
- Tiempo de control: 1 segundo (modo lento) o 0.1 segundos (modo medio)
- Protección de la entrada: 750 V rms en todos los rangos (terminal HI)



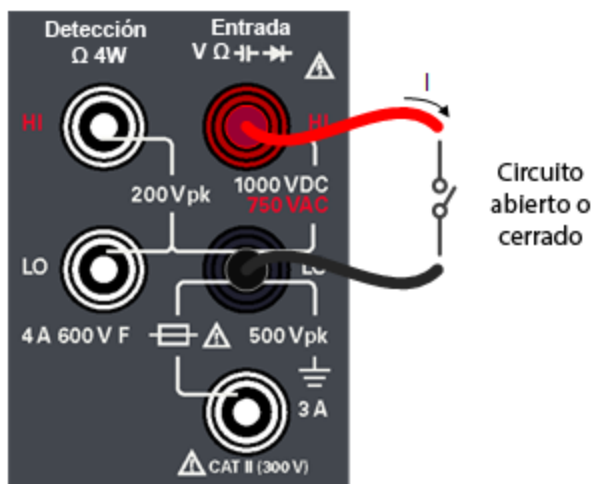
- Nivel de señal: 10 % del rango a entrada de escala completa en todos los rangos excepto donde se indique. Las especificaciones de rango de 10 mV son para escala completa o entradas superiores. Para entradas de 1 mA a 10 mA (en el rango de 10 mA), multiplique el % total de error de lectura por 10.
- Tiempo de control: 1 segundo (modo lento) o 0.1 segundos (modo medio)
- Protección de la entrada: Panel frontal, 4 A 600 V fusible cerámico de acción rápida

## Prueba de continuidad

1. Presione [Cont].



2. Conecte los terminales como se muestra a continuación.



3. Lea la pantalla.

Se observa un valor de resistencia si el circuito está cerrado, y se observa ABIERTO si el circuito está abierto.

### Parámetros de continuidad

- Método de medición: Fuente de corriente constante de 0.5 mA (típica)
- Tiempo de respuesta: 100 muestras/segundo con tono audible
- Umbral de continuidad: 10  $\Omega$  fijo

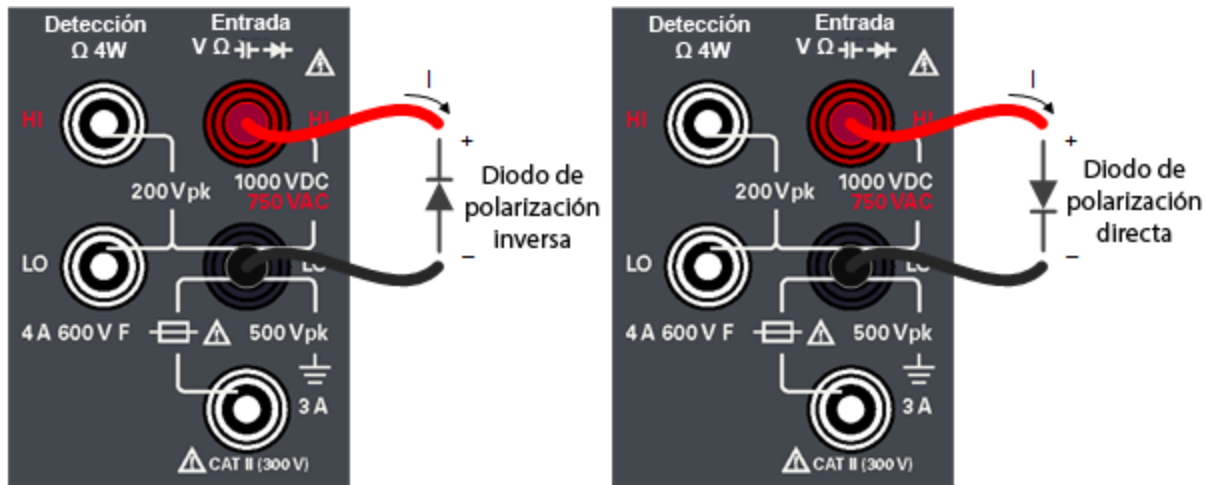
- Protección de la entrada: 1000 V (terminal HI)

## Comprobación de diodos

1. Presione [Shift] > [Cont] | ➔ (Bloq mayús. > Cont.).



2. Conecte los terminales como se muestra a continuación (ya sea para probar la posición del diodo de polarización inversa o la posición del diodo de polarización directa).



3. Lea la pantalla.

- Para la posición del diodo de polarización inversa: Se observa ABIERTO si el diodo es bueno.
- Para la posición del diodo de polarización directa: Se observa un valor que oscila entre 0.3 y 0.8 V si el diodo es bueno (para la mayoría de los diodos de silicio).
- Si se observa ABIERTO en ambas direcciones, el diodo es malo.
- Si se observa una caída de 0 V a 0.4 V en ambas direcciones, el diodo entra en cortocircuito.

Presione **Beeper** (Pitido) para activar (ON) o desactivar (OFF) el sonido.

### Parámetros de los diodos

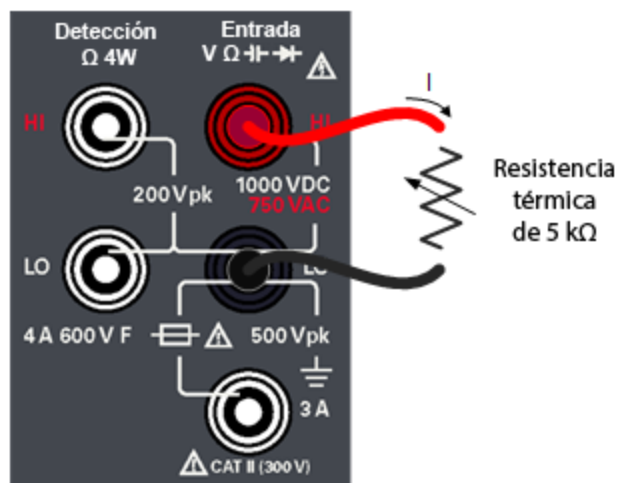
- Método de medición: Fuente de corriente constante de 0.5 mA (típica)
- Tiempo de respuesta: 100 muestras/segundo con tono audible
- Protección de la entrada: 1000 V (terminal HI)

### Medición de Temperatura

1. Presione [Temp].



2. Conecte los terminales como se muestra a continuación.



3. Lea la pantalla.

Presione **Units** (Unidades) para cambiar las unidades de temperatura entre grados centígrados (**°C**) o grados Fahrenheit (**°F**).

### **Parámetros de temperatura**

- Rango de medición: –80.0 °C a 150.0 °C, –110.0 °F a 300.0 °F
- Método de medición: medición de Ohms de 2 cables del sensor de resistencia térmica (E2308A) de 5 k $\Omega$  con conversión calculada
- Protección de la entrada: 1000 V (terminal HI)
- Accesorio opcional: Sonda de temperatura de la resistencia térmica E2308A

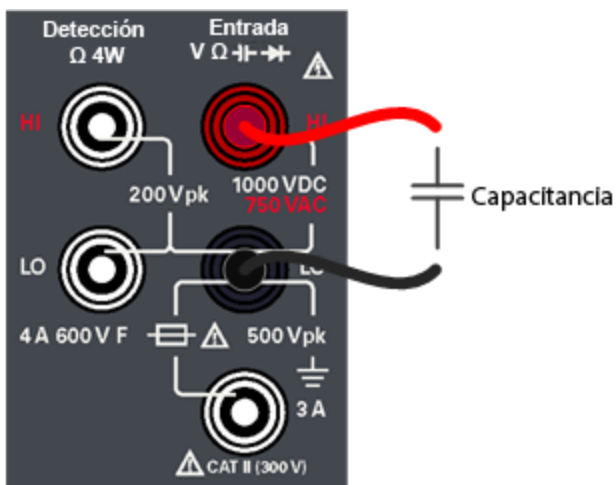


## Medición de capacitancia

1. Presione [Shift] > [Cont] |  (Bloq mayús. > Temp.).



2. Conecte los terminales como se muestra a continuación.



3. Lea la pantalla.

### Parámetros de capacitancia

- Rango de medición: 1.000 nF, 10.00 nF, 100.0 nF, 1.000  $\mu$ F, 10.00  $\mu$ F, 100.0  $\mu$ F, 1.000 mF, 10.00 mF
- Valor predeterminado: Rango automático
- Método de medición: Calculado a partir de tiempo de carga de la fuente de corriente constante. Típico nivel de señal 0.12 V a 1.0 V CA
- Protección de la entrada: 1000 V (terminal HI)

## Seleccionar un rango

Puede permitir que el multímetro automáticamente seleccione el rango usando un rango automático o puede seleccionar un rango fijo usando un rango manual. Es conveniente utilizar el rango automático ya que el multímetro detecta y selecciona de manera automática el rango adecuado para cada medición. Sin embargo, seleccionar el rango manual ofrece un mejor rendimiento, ya que el multímetro no tiene que determinar qué rango va a utilizar para cada medición.

El ajuste predeterminado de todas las funciones de medición es de rango automático.

Presione [ + ] para desactivar el rango automático y seleccionar un rango superior manualmente, o

Presione [ - ] para desactivar el rango automático y seleccionar un rango inferior manualmente.

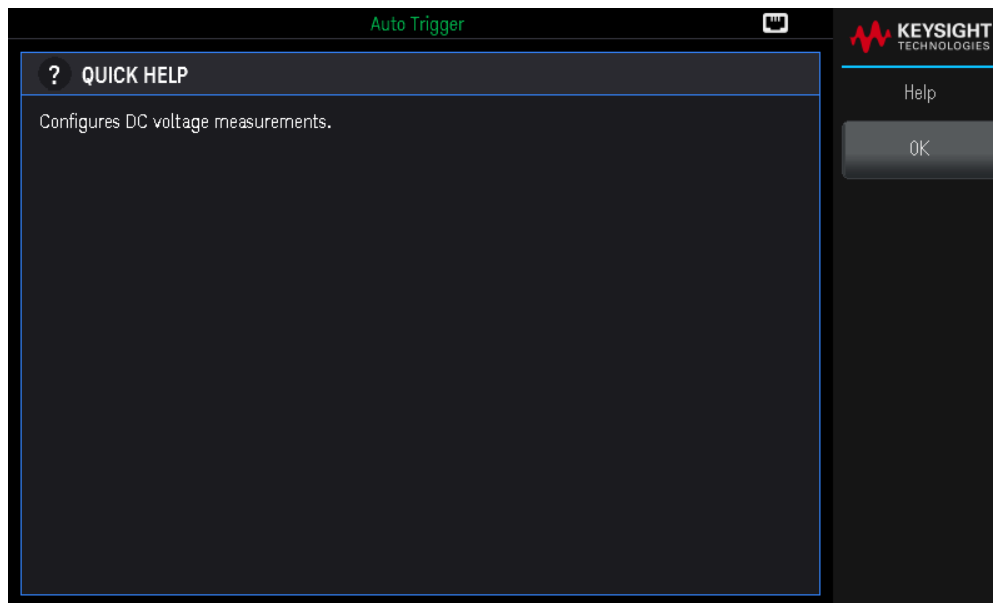
Presione [Range] (Rango) para activar el rango automático de nuevo.

## Cómo usar el sistema de ayuda incorporado

El sistema de ayuda incorporado proporciona ayuda de acuerdo con el contexto en cualquier tecla del panel frontal o tecla de función del menú. También encontrará disponible una lista de temas de ayuda que pueden ayudarlo a aprender sobre el instrumento.

Consulte la información de ayuda de un botón o tecla de función

Mantenga presionada cualquier tecla de función o botón del panel frontal, como [DCV].



Si el mensaje contiene más información de la que cabe en la pantalla, presione la tecla de función de flecha hacia abajo para ver la información restante.

Presione **OK** (Aceptar) para salir de la ayuda.

**NOTA****Ayuda en el idioma local**

Todos los mensajes, la ayuda contextual y los temas de ayuda están disponibles en inglés, francés, alemán, español, chino simplificado, chino tradicional, japonés, coreano y ruso. Todos los mensajes, la ayuda contextual y los temas de ayuda aparecerán en el idioma seleccionado. Las etiquetas de las teclas de función y los mensajes de la línea de estado no se traducen, es decir, siempre están en inglés. Para seleccionar el idioma, presione **[Shift] > [Store/Recall] | Utility > User Settings > Language**. [Bloq. mayús.] > [Almacenar/Recuperar] | Utilidad > Configuración del usuario > Idioma. Luego seleccione el idioma deseado.

---

## Conexiones de la interfaz remota

Esta sección describe cómo conectarse a las diversas interfaces de comunicación de su instrumento. Para obtener más información sobre la configuración de las interfaces remotas, consulte [Configuración de la interfaz remota](#).

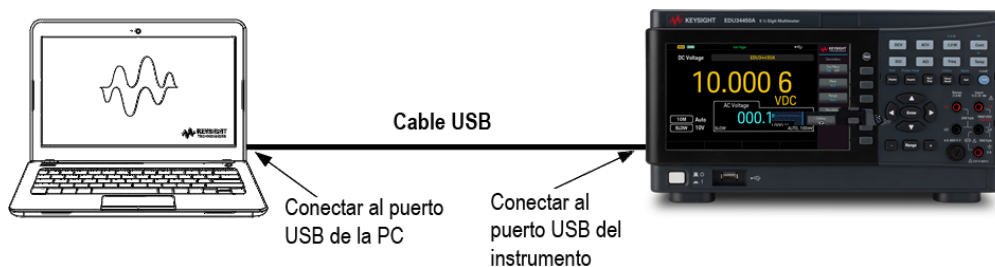
**NOTA**

Si aún no lo ha hecho, instale la Keysight IO Libraries Suite, que se puede encontrar en [www.keysight.com/find/iolib](http://www.keysight.com/find/iolib). Para obtener información detallada sobre las conexiones de las interfaces, consulte la *Guía de Conectividad de Interfaces USB/LAN/GPIB de Keysight Technologies*, incluida en la Keysight IO Libraries Suite.

---

## Conéctese al instrumento a través del USB

En la siguiente figura se presenta un típico sistema de interfaz USB.



1. Conecte el instrumento al puerto USB posterior de su computadora con un cable USB.
2. Al ejecutar la utilidad Connection Expert de Keysight IO Libraries Suite, la computadora reconocerá automáticamente el instrumento. Esto puede tardar varios segundos. Cuando el instrumento se reconozca, su computadora mostrará el alias de VISA, la cadena de IDN y la dirección de VISA. También puede ver la dirección VISA del instrumento en el menú del panel frontal.
3. Ahora puede usar la ES interactiva dentro del Connection Expert para comunicarse con su instrumento, o puede programar su instrumento mediante diversos entornos de programación.

**NOTA**

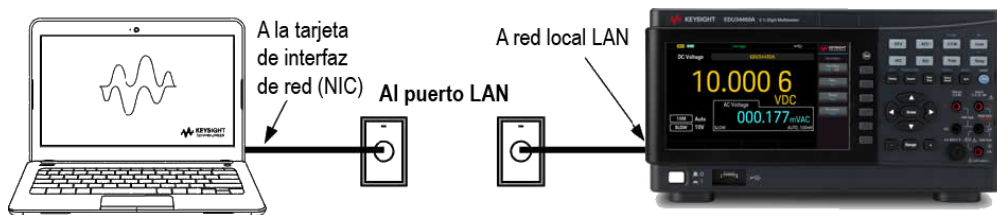
No se recomienda que el cable USB tenga más de 3 metros de longitud.

---

Conéctese al instrumento a través del LAN (local o privada)

## Red local LAN

Una **red local LAN** es una red de área local en la que los instrumentos y las computadoras habilitados para LAN se conectan a la red a través de enrutadores, concentradores y/o conmutadores. Generalmente, son grandes redes que se gestionan de forma centralizada con servicios como DHCP y servidores DNS. En la siguiente figura se presenta un sistema de red local LAN típico.



1. Conecte el instrumento a la red local LAN o a su computadora mediante un cable LAN. La configuración de la LAN del instrumento en el momento de su envío está configurada para obtener automáticamente una dirección IP de la red mediante un servidor DHCP (DHCP está ACTIVADO de forma predeterminada). El servidor DHCP registrará el nombre de host del instrumento con el servidor DNS dinámico. El nombre de host y la dirección IP pueden utilizarse para comunicarse con el instrumento. El indicador LAN del panel frontal se encenderá cuando el puerto LAN se haya configurado.

### NOTA

Si necesita configurar manualmente cualquier configuración de la LAN del instrumento, consulte **Configuración de la interfaz remota** para obtener información sobre cómo configurar la configuración de la LAN desde el panel frontal del instrumento.

2. Utilice la utilidad Connection Expert de Keysight IO Libraries Suite para añadir el instrumento y verificar una conexión. Para añadir el instrumento, puede solicitar al Connection Expert que detecte el instrumento. Si no se puede encontrar el instrumento, añádalo usando su nombre de host o dirección IP.

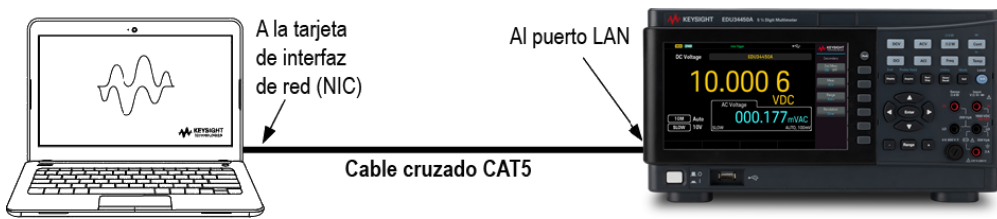
### NOTA

Si esto no funciona, consulte las "Instrucciones para la resolución de problemas" en la *Guía de Conectividad de Interfaces USB/LAN/GPIB de Keysight Technologies*, incluida en la Keysight IO Libraries Suite.

3. Ahora puede usar la ES interactiva dentro del Connection Expert para comunicarse con su instrumento, o puede programar su instrumento mediante diversos entornos de programación. También puede utilizar el navegador de Internet de su computadora para comunicarse con el instrumento como se describe en Control remoto.

## LAN privada

Una **red privada LAN** es una red en la que los instrumentos y las computadoras habilitados para LAN están conectados directamente, y no conectados a una red local LAN. Generalmente, son pequeñas, sin recursos gestionados de forma centralizada. En la siguiente figura se presenta un sistema de red privada LAN típico.



1. Conecte el instrumento a la computadora con un cable cruzado LAN. Alternativamente, conecte la computadora y el instrumento a un concentrador o interruptor independiente utilizando cables LAN normales.

**NOTA**

Asegúrese de que su computadora esté configurada para obtener su dirección del DHCP y que el NetBIOS sobre TCP/IP esté activado. Tenga en cuenta que si la computadora se ha conectado a una red local LAN, puede que aún conserve los ajustes de red anteriores de la red local LAN. Espere un minuto después de desconectarlo de la red local LAN antes de conectarlo a la red privada LAN. Esto permite a Windows detectar que está en una red diferente y reiniciar la configuración de la red.

---

2. Los ajustes de la LAN del instrumento enviados de fábrica están configurados para obtener automáticamente una dirección IP de una red local utilizando un servidor DHCP. Puede dejar estos ajustes como están. La mayoría de los productos Keysight y la mayoría de las computadoras elegirán automáticamente una dirección IP usando auto-IP si no hay un servidor DHCP. Cada uno se asigna a sí mismo una dirección IP del bloque 169.254.nnn. Tenga en cuenta que esto puede tardar hasta un minuto. El indicador LAN del panel frontal se encenderá cuando el puerto LAN se haya configurado.

**NOTA**

Desactivar el DHCP reduce el tiempo necesario para configurar completamente una conexión de red cuando se enciende la fuente de alimentación. Para configurar manualmente la configuración de la LAN del instrumento, consulte [Configuración de la interfaz remota](#) para obtener información sobre cómo configurar los ajustes de la LAN desde el panel frontal del instrumento.

---

3. Utilice la utilidad Connection Expert de Keysight IO Libraries Suite para añadir la fuente de alimentación y verificar una conexión. Para añadir el instrumento, puede solicitar al Connection Expert que detecte el instrumento. Si no se puede encontrar el instrumento, añádalo usando su nombre de host o dirección IP.

**NOTA**

Si esto no funciona, consulte las "Instrucciones para la resolución de problemas" en la *Guía de Conectividad de Interfaces USB/LAN/GPIB de Keysight Technologies*, incluida en la Keysight IO Libraries Suite.

---

4. Ahora puede usar la ES interactiva dentro del Connection Expert para comunicarse con su instrumento, o puede programar su instrumento mediante diversos entornos de programación. También puede utilizar el navegador de Internet de su computadora para comunicarse con el instrumento como se describe en Control remoto.

## Configuración de la interfaz remota

El instrumento admite la comunicación de interfaz remota a través de dos interfaces: USB y LAN. Ambos están "activos" al momento de encenderse.

- Interfaz USB: Utiliza el puerto USB del panel posterior para comunicarse con su PC. No se requiere ninguna opción de configuración para la interfaz USB. Simplemente conecte el instrumento a su PC con un cable USB.
- Interfaz LAN: Utiliza el puerto LAN del panel posterior para comunicarse con su PC. De manera predeterminada, el DHCP está activado, lo que puede permitir la comunicación a través de la LAN. El acrónimo DHCP significa Protocolo de Configuración Dinámica de Host, un protocolo para asignar direcciones IP dinámicas a los dispositivos en red. Con el direccionamiento dinámico, un dispositivo puede tener una dirección IP diferente cada vez que se conecta a la red.

### NOTA

Se recomienda eliminar cualquier conexión de interfaz remota no utilizada.

---

## Keysight IO Libraries Suite

### NOTA

Asegúrese de que Keysight IO Libraries Suite esté instalado antes de continuar con la configuración de la interfaz remota.

---

Keysight IO Libraries Suite es una colección de software de control de instrumentos gratuito que detecta automáticamente los instrumentos y le permite controlarlos a través de interfaces LAN, USB, GPIB, RS-232 y otras. Para más información, o para descargar IO Libraries, vaya a [www.keysight.com/find/iosuite](http://www.keysight.com/find/iosuite).

## Configuración de la LAN

Las siguientes secciones describen las funciones de configuración de la LAN en el menú del panel frontal.

Cuando se envía, el DHCP está activado, lo que puede permitir la comunicación a través de la LAN. El acrónimo DHCP significa Protocolo de Configuración Dinámica de Host, un protocolo para asignar direcciones IP dinámicas a los dispositivos en de una red. Con el direccionamiento dinámico, un dispositivo puede tener una dirección IP diferente cada vez que se conecta a la red.

Algunas configuraciones de la LAN requieren que apague y encienda el instrumento para activarlas. El instrumento muestra brevemente un mensaje cuando este es el caso, así que observe la pantalla con atención cuando cambie la configuración de la LAN.

### NOTA

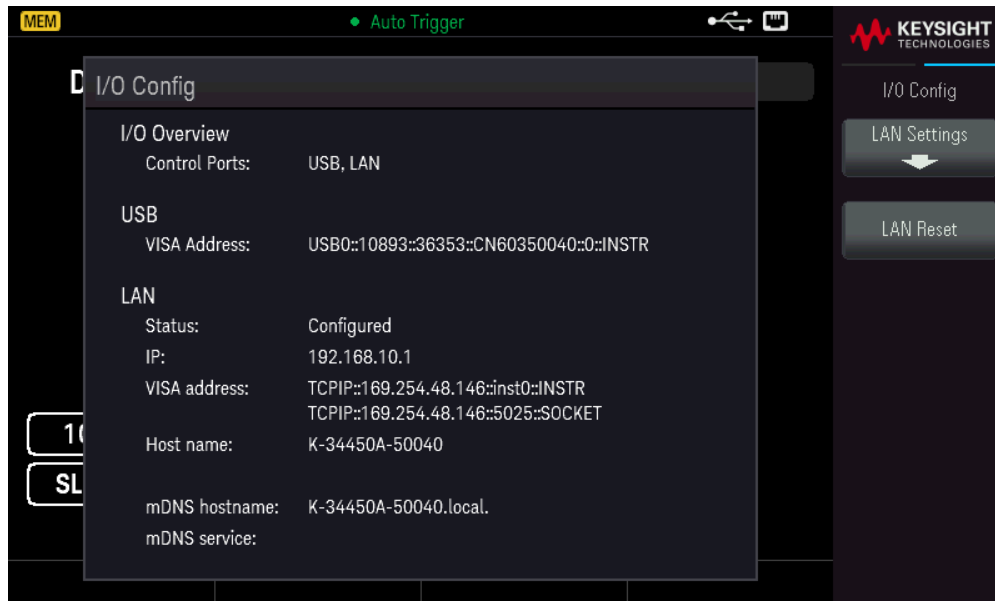
Después de cambiar la configuración de la LAN, debe guardar los cambios. Presione **Apply** (Aplicar) para guardar la configuración. Si no guarda esta configuración, al salir del menú Config E/S también se le pedirá que presione **Yes** (sí) para guardar la configuración de la LAN o **No** (no) para salir sin guardarla. Si presiona **Yes** (sí) se enciende y apaga el instrumento y se activan los ajustes. La configuración de la LAN no es volátil, no se modificará al encender y apagar el instrumento ni si se restablecen los valores de fábrica (\*RST). Si no quiere guardar los cambios, presione **No** (No) para cancelar todos los cambios.

---

## Vea la configuración de la LAN

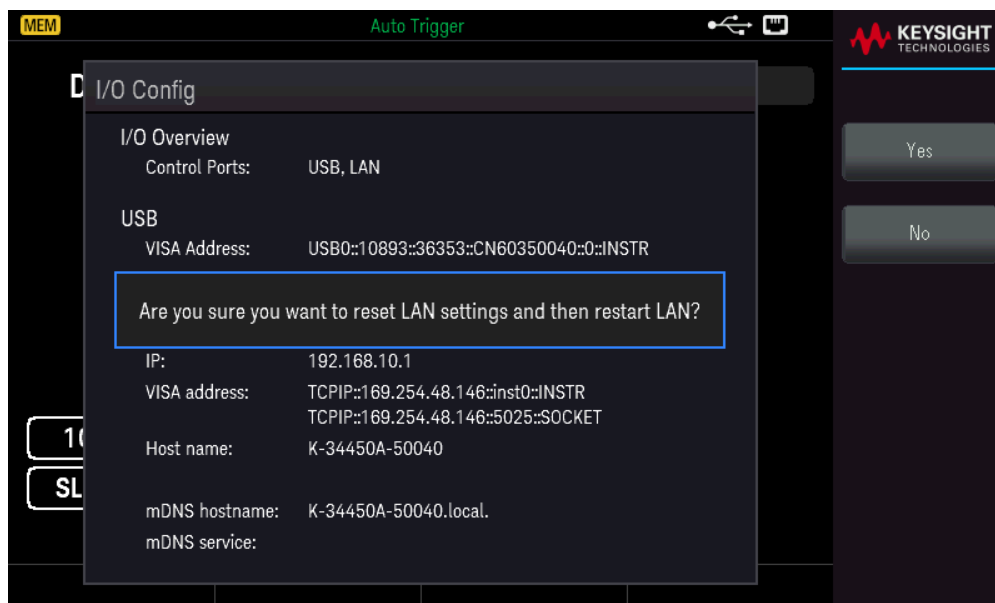
Presione **[Shift]** > **[Store/Recall]** | **Utility** > I/O Config Bloq. mayús. > Almacenar/Recuperar > Utilidad > Configuración de E/S para ver la configuración de la LAN.

El estado de la LAN puede ser diferente de los ajustes del menú de configuración del panel frontal, dependiendo de la configuración de la red. Si las configuraciones son diferentes, es porque la red ha asignado automáticamente sus propias configuraciones.



Presione **LAN Settings** (Configuración de LAN) para acceder al menú de configuración de LAN. Consulte **Cambiar la configuración de LAN** para obtener más detalles.

Presione **LAN Reset** (Restablecer LAN) para restaurar los ajustes de LAN a los valores predeterminados.

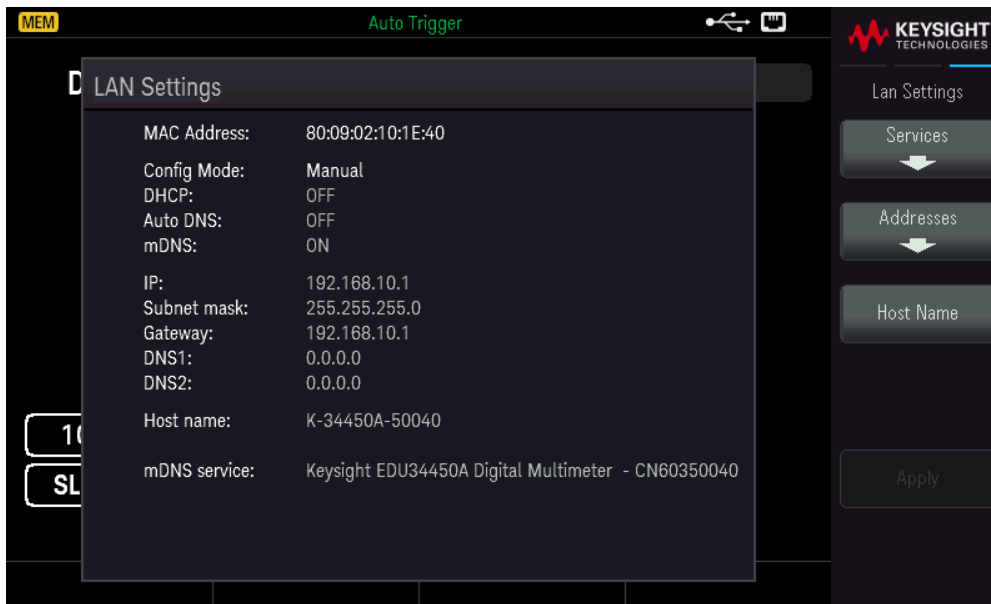


## Modificar la configuración de la LAN

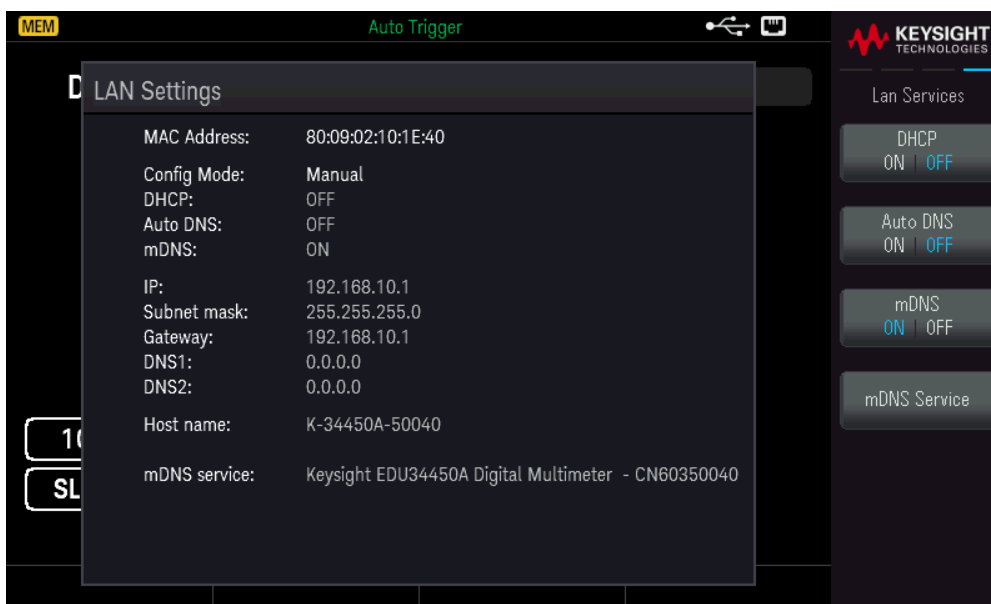
Tal como se envía de fábrica, los ajustes preconfigurados del instrumento deberían funcionar en la mayoría de los entornos de la LAN. Consulte la sección “Ajustes no volátiles” de la *Guía de programación* para obtener información sobre la configuración de la LAN predeterminados de fábrica.

1. Acceda al menú Configuración de LAN.

Presione la tecla de función **LAN Settings** (Configuración de LAN).



Seleccione **Services** (Servicios) para activar o desactivar los distintos servicios de LAN.



Con el DHCP activado, el DHCP (Dynamic Host Configuration Protocol o Protocolo de configuración dinámica de host) establecerá automáticamente una dirección IP cuando conecte el instrumento a la red, siempre se encuentre



el servidor DHCP y pueda hacerlo. El DHCP también se ocupa automáticamente de la máscara de subred y la dirección de la puerta de enlace, si es necesario. Esta suele ser la forma más fácil de establecer la comunicación LAN para su instrumento. Todo lo que tiene que hacer es dejar el DHCP encendido. Póngase en contacto con su administrador de LAN para obtener más detalles.

## 2. Establecer una "Configuración de IP".

Si no está utilizando el DHCP (Use la tecla de función **Services** (Servicios) para configurar el **DHCP** en **OFF** (desconectado)) debe establecer una configuración de IP, incluida una dirección IP, y posiblemente una máscara de subred y una dirección de puerta de enlace.



Presione **[Back]** > **Addresses** > **Modify** ([Atrás] > Direcciones > Modificar) para configurar la dirección IP, la máscara de subred y la dirección de la puerta de enlace.



Póngase en contacto con el administrador de la red para obtener la dirección IP, la máscara de subred y la puerta de enlace.

**Dirección IP** Todas las direcciones IP toman la forma de notación de punto “nnn.nnn.nnn.nnn” donde “nnn” en

cada caso es un valor de byte en el rango de 0 a 255. Puede introducir una nueva dirección IP con las teclas de flecha. Presione **Previous** o **Next** (Anterior o Siguiente) para mover el cursor al campo siguiente o anterior. **No escriba ceros iniciales.**

**Máscara de subred** La división en subredes permite al administrador de la LAN subdividir una red para simplificar la administración y reducir el tráfico de la red. La máscara de subred indica la parte de la dirección de host utilizada para indicar la subred. Utilice las teclas de flecha para introducir una nueva dirección de la máscara de subred. Presione **Previous** o **Next** (Anterior o Siguiente) para mover el cursor al campo siguiente o anterior.

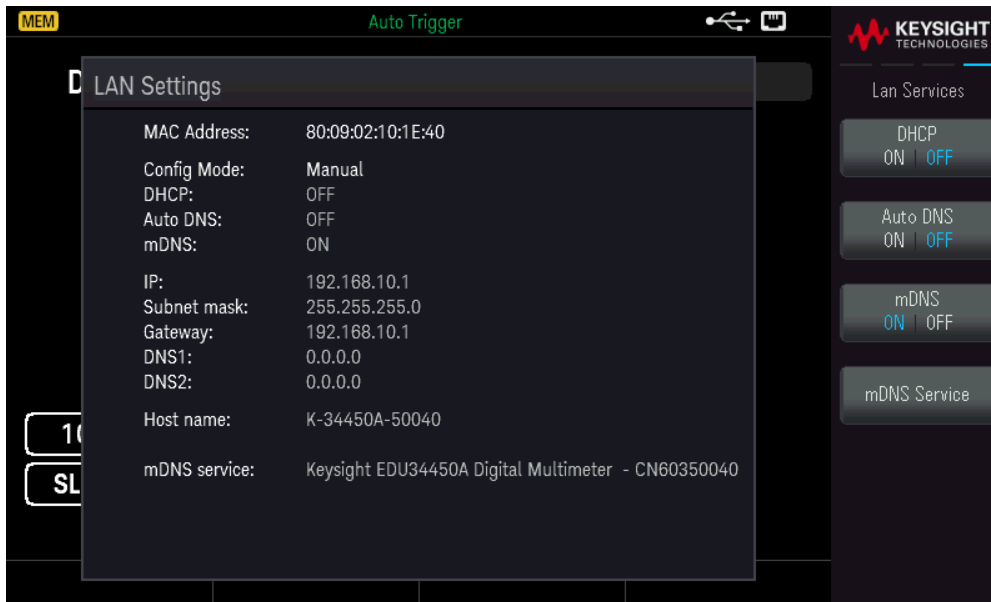
**Puerta de entrada:** Una puerta de enlace es un dispositivo de red que conecta redes. La configuración predeterminada de la puerta de enlace es la dirección IP de dicho dispositivo. Utilice las teclas de flecha para introducir una nueva dirección de la puerta de enlace. Presione **Previous** o **Next** (Anterior o Siguiente) para mover el cursor al campo siguiente o anterior.

Presione **Apply** (Aplicar) para guardar los cambios.

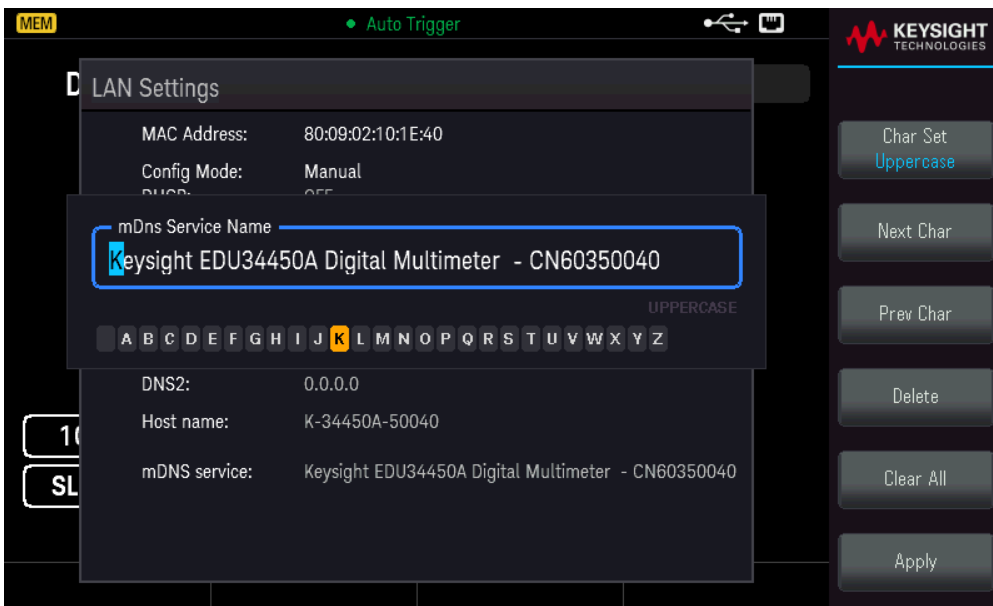
### 3. Configurar la "DNS Setup" (configuración de DNS, opcional)

El DNS (Servicio de nombres de dominio) es un servicio de Internet que transforma los nombres de dominio en direcciones IP. Pregunte a su administrador de red si se usan ajustes de DNS. Si es así, pregunte el nombre de host, el nombre de dominio y la dirección del servidor DNS que debe usar.

Normalmente, DHCP detecta la información de la dirección DNS. Solo necesita cambiar esto si DHCP no está en uso o no funciona. Para configurar manualmente el direccionamiento del instrumento, utilice la tecla de función **Ser-** **VICES** (**Servicios**) para poner **Auto DNS** (DNS automático) en **OFF** (Desactivado).



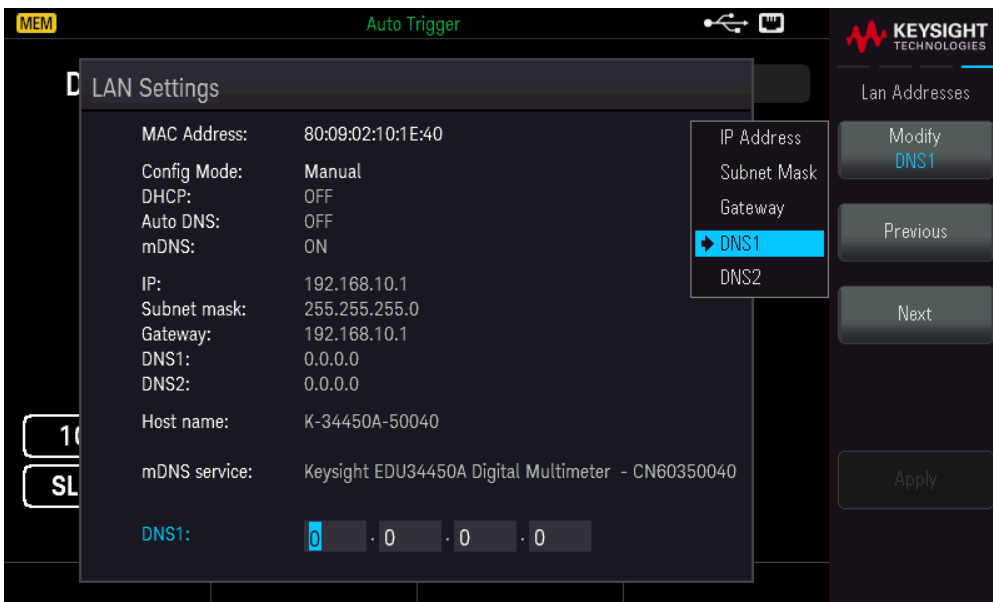
a. Configure el "hostname" (nombre de host). Presione **[Back]** > **Host Name** ([Atrás] > Nombre del host) e introduzca el nombre del host. El nombre de host es la parte de host del nombre de dominio, que se traduce en una dirección IP. El nombre del host se introduce como una cadena de caracteres con las teclas de función. El nombre de host puede incluir letras, números y guiones ("-"). Presione **Apply** (Aplicar) para guardar los cambios.



El instrumento se envía con un nombre de host predeterminado con el siguiente formato: K-{modelnumber-serial-number}, donde {modelnumber} es el número de modelo de 6 caracteres del instrumento (por ejemplo, 33212A), y serialnumber son los últimos cinco caracteres del número de serie del instrumento (por ejemplo, 45678 si el número de serie es MY12345678).

b. Configure las direcciones del “DNS Server” (servidor de DNS). Presione **Back** (Atrás). Presione **Addresses > Modify** (Direcciones > Modificar) para configurar las direcciones del servidor DNS.

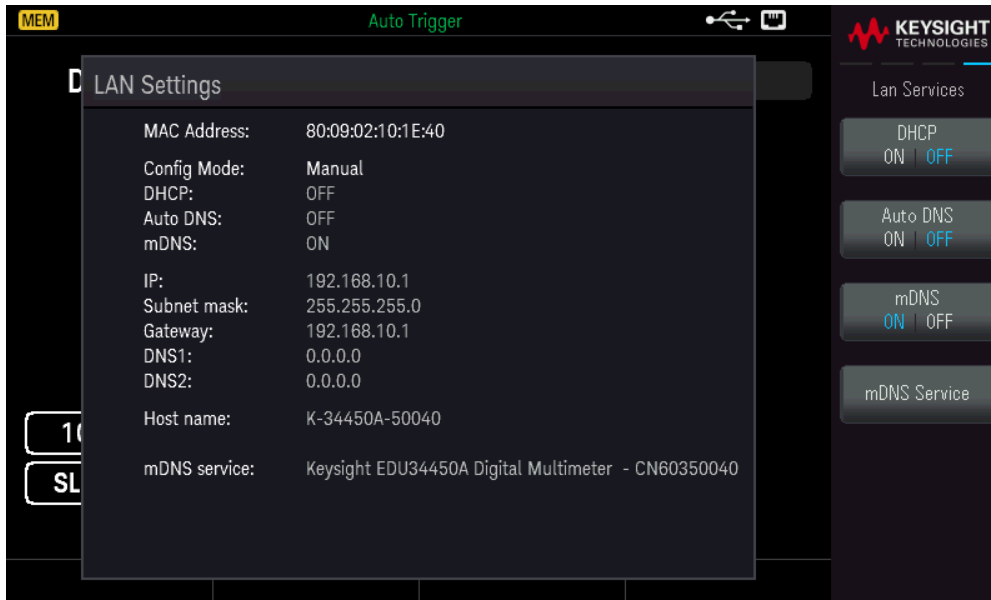
Introduzca el DNS primario (**DNS1**) y el segundo DNS (**DNS2**). Utilice las teclas de flecha para introducir una nueva dirección de servidor DNS. Presione **Previous** o **Next** (Anterior o Siguiente) para mover el cursor al campo siguiente o anterior. Consulte con su administrador de red para obtener más detalles.



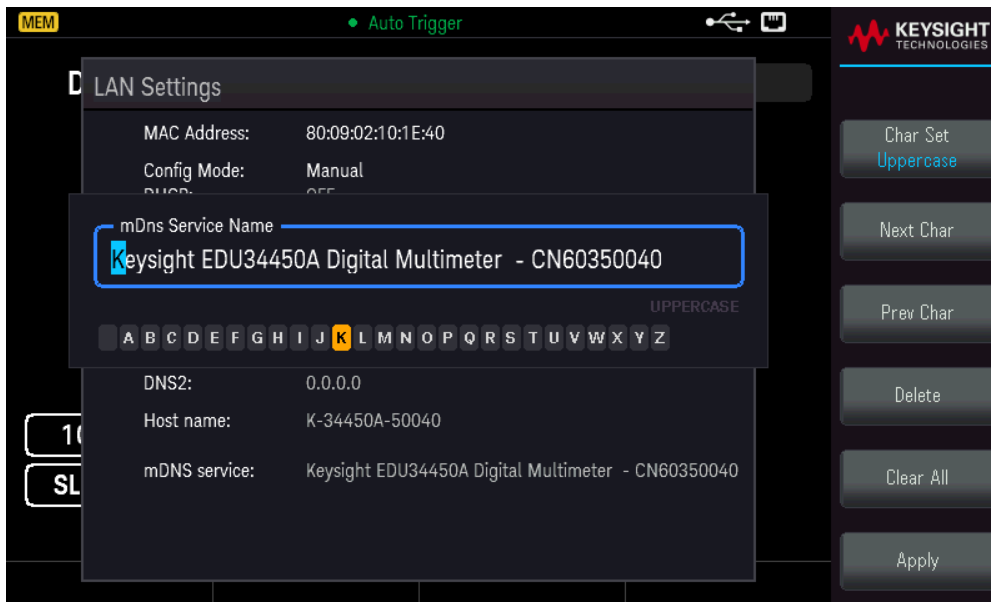
#### 4. Configurar el servicio mDNS (opcional).

Su instrumento recibe un nombre de servicio mDNS único en la fábrica, pero puede cambiarlo. El nombre del servicio mDNS debe ser único en la LAN.

Para configurar manualmente el nombre de servicio del instrumento, use la tecla de función **Services** (Servicios) para poner **mDNS** en (Activado).



Presione **mDNS Service** (Servicio mDNS).



Utilice las teclas de función que se proporcionan para establecer un nombre de servicio deseado. El nombre debe comenzar con una letra, los demás caracteres pueden ser mayúsculas o minúsculas, dígitos numéricos o guiones ("-"). Presione **Apply** (Aplicar) para guardar los cambios.

## Servicios de socket SCPI

Este instrumento permite realizar cualquier combinación de hasta dos sockets de datos, socket de control y conexiones telnet simultáneas.

Los instrumentos Keysight se han estandarizado en el uso del puerto 5025 para los servicios de socket SCPI. Un socket de datos en este puerto se puede usar para enviar y recibir comandos ASCII/SCPI, consultas y respuestas a consultas. Todos los comandos deben ser terminados con una nueva línea para que el mensaje sea analizado. Todas las respuestas a las consultas se terminarán también con una nueva línea.

La interfaz de programación de socket también permite una conexión de socket de control. Un cliente puede utilizar el socket de control para enviar un mensaje "Device Clear" y para recibir solicitudes de servicio. A diferencia del socket de datos, que utiliza un número de puerto fijo, el número de puerto de un socket de control varía y debe obtenerse enviando la siguiente consulta SCPI al socket de datos: SYSTem:COMMunicate:TCPip:CONTrol?

Después de obtener el número de puerto, se puede abrir una conexión de socket de control. Al igual que con el socket de datos, todos los comandos del socket de control deben terminarse con una nueva línea, y todas las respuestas de consulta que se devuelvan en el socket de control terminarán con una nueva línea.

Para enviar un mensaje "Device clear", envía la cadena "DCL" al socket de control. Cuando el sistema de alimentación termina de despejar el dispositivo, devuelve la cadena "DCL" al socket de control.

Las solicitudes de servicio se habilitan para el socket de control mediante el registro Service Request Enable (Habilitar solicitudes de servicio). Una vez activadas las solicitudes de servicio, el programa cliente escucha a la conexión de control. Cuando el SRQ se cumpla, el instrumento enviará la cadena "SRQ +nn" al cliente. El "nn" es el valor del byte de estado, que el cliente puede utilizar para determinar la fuente de la solicitud de servicio.

## Más información sobre direcciones IP y notación de puntos

Las direcciones de notación de puntos ("nnn.nnn.nnn.nnn" donde "nnn" es un valor de byte de 0 a 255) deben expresarse con cuidado, ya que la mayoría del software web de las PC interpreta los valores de bytes con ceros iniciales como números octales (de base 8). Por ejemplo, "192.168.020.011" es en realidad equivalente al decimal "192.168.16.9" debido a que ".020" se interpreta como "16" expresado en octal, y ".011" como "9". Para evitar confusiones, use solo valores decimales de 0 a 255, sin ceros iniciales.

## Control remoto

Puede controlar el instrumento a través de SCPI mediante la Keysight IO Libraries o a través de un panel frontal simulado con la interfaz web del instrumento.

### Interfaz web

Puede monitorear y controlar el instrumento desde un navegador Web mediante la interfaz Web del instrumento. Para conectarse, simplemente introduzca la dirección IP o el nombre de host del instrumento en la barra de direcciones de su navegador y presione Intro.

**NOTA**

Si ve un error que indica 400: Bad Request (Solicitud Incorrecta), esto se relaciona con un problema con las "cookies" en su navegador web. Para evitar este problema, inicie la interfaz web utilizando la dirección IP (no el nombre del host) en la barra de direcciones), o borre las cookies de su navegador inmediatamente antes de iniciar la interfaz web.

**KEYSIGHT** EDU34450A 5 1/2 Digit Multimeter  
TECHNOLOGIES Serial number: CN60350036

Log In

Home
Control Instrument
Configure LAN

Connected to EDU34450A 5 1/2 Digit Multimeter  
 at IP address 10.82.99.166

Enable front panel Identification Indicator

**Description**

Model number	EDU34450A
Manufacturer	Keysight Technologies
Serial number	CN60350036
Firmware revision	K-01.00.93-01.00-01.03-01.01-2021013101
Description	Keysight 5.5 Digit Digital Multimeter (3)

**VISA instrument addresses**

VXI-11 LAN protocol	TCPIP::K-34450A-50036.png.is.keysight.com::inst0::INSTR
TCPIP SOCKET protocol	TCPIP::K-34450A-50036.png.is.keysight.com::5025::SOCKET
USB ( <i>USBTMC/488</i> )	USB::0x2A8D::0xBE01::CN60350036::0::INSTR
GPIO	N/A

▼ More Information

© Keysight Technologies 2021
Support
Product
Keysight

La pestaña **Configurar la LAN** en la parte superior le permite cambiar los parámetros de la LAN del instrumento; tenga cuidado al hacerlo, ya que puede interrumpir su capacidad de comunicación con el instrumento.

Cuando haga clic en la pestaña **Instrumento de control**, el instrumento le pedirá una contraseña (de forma predeterminada es *keysight*), y luego abrirá una nueva página, que se muestra a continuación.



Control Instrument > Soft Front Panel



Warning: Should network communication issues occur, the reported readings and instrument configuration settings shown in the Soft Front Panel may not represent the actual readings or instrument state. Do not rely on the reported readings from the Soft Front Panel to determine if a circuit that may have hazardous voltages present is safely de-energized.  
Note: Please allow some time for the page to be reloaded after pressing any key. Press F5 for immediate page reload.



Screen Capture

Esta interfaz le permite usar el instrumento como si fuera el panel frontal.

**ADVERTENCIA LEER ADVERTENCIA**

Asegúrese de leer y comprender la advertencia en la parte superior de la página del Instrumento de Control.

Detalles técnicos de la conexión

En la mayoría de los casos, puede conectarse fácilmente al instrumento con IO Libraries Suite o la interfaz web. En ciertas circunstancias, puede ser útil conocer la siguiente información.

Interfaz	Detalles
VXI-11 LAN	Cadena VISA: TCPIP0::<IP Address>::inst0::INSTR Ejemplo: TCPIP0::192.168.10.2::inst0::INSTR
UI de la web	Puerto número 80, URL http://<IP address>/
USB	USB0::0x2A8D::<Prod ID>::<Serial Number>::0::INSTR Ejemplo: USB0::0x2A8D::0x8E01::CN12340005::0::INSTR ID del vendedor: 0x2A8D, el ID del producto es 0x8E01, y el número de serie del instrumento es CN12340005.

# 3 Funciones y operaciones

**Indicador secundario**

**Operaciones matemáticas**

**Acquire** (Adquirir)

**Probe Hold**

**Run/Stop** (Ejecutar/detener)

**Menú Utilidad**

**Store/Recall** (Almacenar/Recuperar)

Este capítulo contiene detalles sobre las características del instrumento, que incluyen el panel frontal y el funcionamiento de la interfaz remota. Es posible que desee leer primero el funcionamiento del menú del panel frontal. Consulte la *Guía de Programación EDU34450A* para obtener detalles sobre los comandos y consultas del SCPI.

## Indicador secundario

La mayoría de las funciones de medición tienen capacidades de rango y medición predefinidas que pueden mostrarse en el modo de medición secundario. Todas las operaciones matemáticas tienen operaciones predefinidas que se muestran en la pantalla secundario.

En el cuadro siguiente se muestran las funciones de medición disponibles en la pantalla secundaria.

Pantalla principal	Pantalla secundaria				
	VCD	VCA	CCI	CAI	FREQ
VCD	-	●	●	●	-
VCA	●	-	●	●	●
CCI	●	●	-	-	-
CAI	●	●	-	-	●
FREQ	-	●	-	●	-

- Todas las especificaciones se garantizan únicamente en mediciones con pantalla única.
- Para la medición de CCI-VCA (principal o secundaria), la señal de entrada de VCA está limitada a 500.000 V×Hz.
- Para la medición de CDI-VCA (principal o secundaria), la señal de entrada de VCA está limitada a 6.000.000 V×Hz.
- Para la medición VCD-VCA (principal o secundaria), la señal de entrada VCD se limita a 500 V cuando la señal de entrada VCA está en el rango de 100 mV. La señal de entrada del ACV debe ser mayor de 50 mV.
- Para las frecuencias de operación de medición de CAI-VCD (principal o secundaria), consulte la siguiente tabla.

CAI-VCD	Frecuencia de la operación de medición
Lento/medio	>500 Hz (600 Hz) / n × 50 Hz (60 Hz) para <500 Hz
Rápido	>10 kHz / n × 1 kHz para <10 kHz

- Para más información, por favor, consulte [Consideración de la velocidad de medición](#).
- Para la operación remota, consulte los comandos DISPLAY:WINDow2 en la *Guía de programación del Keysight EDU34450A*.

### Operaciones del panel frontal

Presione [\[Shift\]](#) > [\[Display\]](#) > 2nd Meas [ON](#) | [OFF](#) ([Bloq. mayús.] > [Pantalla] > 2° Med [Encendido](#) Apagado.



- Para cambiar la medición secundaria, pulse **Meas** (Med) para cambiar entre las opciones disponibles.
- Para cambiar el rango de la medición secundaria, pulse **Range** (Rango) para cambiar entre las opciones disponibles.
- Para cambiar la resolución de la medición secundaria, pulse **Resolution** (Resolución) para cambiar entre las opciones disponibles.
- Para desactivar la medición secundaria, pulse **2nd Meas ON | OFF** (2° Med Encendido Apagado).

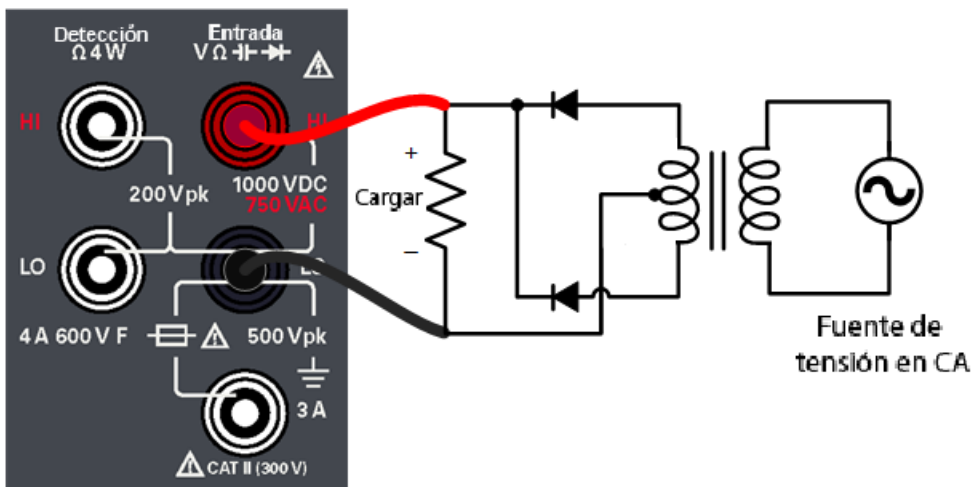
### Ejemplos de funcionamiento de la pantalla doble

En esta sección se describen algunas operaciones prácticas cuando se utiliza la función de pantalla doble.

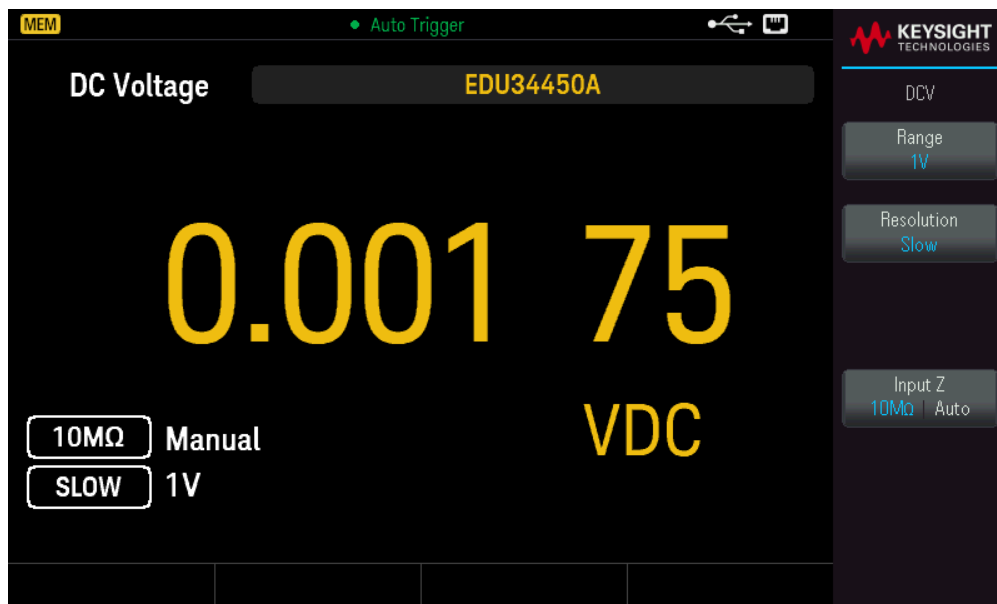
#### Medir la tensión de CC y la ondulación de CA en un circuito de rectificación

Una sola medición para la tensión de CC y el rizado de CA puede mostrarse en ambas pantallas mientras se prueba un circuito rectificador.

1. Conecte los cables de prueba rojo y negro al terminal de entrada y pruebe los puntos de prueba.



2. Pulse [VCD] para seleccionar la tensión de CC como medición principal.



3. Presione [Shift] > [Display] > 2nd Meas ON | OFF ([Bloq. mayús.] > [Pantalla] > 2º Med Encendido Apagado) para activar la medición secundaria.

4. Pulse **Meas** > **ACV** (Med > VCA) para seleccionar la tensión de CA como medición secundaria.



5. Presione **Range** y **Resolution** (Rango y Resolución) para ajustar el rango de medición y la velocidad en consecuencia.

## Operaciones matemáticas

En el cuadro que figura a continuación se muestran las diversas operaciones matemáticas que pueden utilizarse con cada función de medición:

Operación matemática	Función de medición										
	VCD	VCA	CCI	CAI	2RES	4RES	FREQ	DIODO	CONT	TEMP	CAP
Nulo	●	●	●	●	●	●	●	-	-	●	●
Redimensionamiento	●	●	-	-	-	-	-	-	-	-	-
Estadísticas	●	●	●	●	●	●	●	-	-	●	●
Límites	●	●	●	●	●	●	●	●	-	●	●

- Solo se puede activar una operación matemática a la vez.
- Cuando la pantalla secundaria está activada, al seleccionar una operación matemática se apagará la pantalla secundaria.
- Cambiar el rango y la resolución está permitido para todas las operaciones matemáticas.
- Puede editar los valores de referencia, compensación y límite usados para las operaciones matemáticas de Nulo, Escala y Límites.
- Para la operación remota, consulte el subsistema CALCulate en la *Guía de Programación del EDU34450A*.

### Nulo

Al realizar mediciones de Nulo, también denominadas relativas, cada lectura es la diferencia entre un valor de compensación nulo almacenado y la señal de entrada. Una aplicación posible es aumentar la precisión de la medición de resistencia de dos cables anulando la resistencia del cable de prueba. Anular el cable es también particularmente importante antes de realizar mediciones de capacitancia. La fórmula que se utiliza para calcular la medición nula es.

*Visualización de la medición Nulo = lectura: Valor Compensación Nulo*

- El valor de compensación nulo se puede ajustar. Puede ajustarlo a cualquier valor entre 0 y  $\pm 120$  % del rango más alto, para la función actual.
- En la medición de resistencia, el instrumento lee un valor que no es cero incluso cuando los dos cables de prueba están en contacto directo debido a la resistencia de estos cables. Ponga en corto los cables de prueba y presione [Null] (Nulo) cuando el valor en pantalla esté estable para poner en cero el indicador.
- En la medición de tensión de CC, el efecto térmico afectará la precisión. Ponga en corto los cables de prueba y presione [Null] (Nulo) cuando el valor en pantalla esté estable para poner en cero el indicador.

### Operaciones del panel frontal

Pulse [Null] (Nulo) para activar la operación Nulo. La lectura se captura como el valor de compensación nulo.



La lectura antes de aplicar la fórmula matemática se muestra en la pantalla secundaria.

Para cambiar el valor de compensación nulo, pulse **[Shift]** > **[Null]** | **Math** > **Null Offset Value**. [Bloq. mayús.] > [Nulo] | Matemáticas > Valor de compensación nulo). Utilice las teclas de flecha para establecer el valor deseado. Pulse **[Enter]** ([Intro]) cuando haya terminado.



Para desactivar la operación Null, presione **Null ON | OFF** (Nulo ON | OFF).



## Redimensionamiento

Hay dos operaciones de escala disponibles: Escala dB y Escala dBm. La operación de escala se aplica solo a las mediciones de tensión.

### dB Scaling

Cada medición en dB es la diferencia entre la señal de entrada y un valor relativo almacenado, con ambos valores convertidos a dBm. Cuando está activada, la operación de dB calcula el valor de dBm para la siguiente lectura, almacena el resultado de dBm en el registro de valores relativos y produce inmediatamente el cálculo dB. La fórmula que se utiliza para calcular la medición dB es.

$$dB = \text{Lectura en dBm} - \text{Valor relativo en dBm}$$

El valor relativo puede tomar cualquier valor entre 0 dBm y  $\pm 120.000$  dBm. El valor relativo predeterminado es 0 dBm. Puede dejar que el instrumento mida automáticamente este valor, o puede introducir un valor específico.

La primera lectura que aparece siempre es precisamente 000.00 dB.

### Operaciones del panel frontal

Presione **[Shift]** > **[Null]** | **Math** > **Function Scaling** > **Scaling ON | OFF**. ([Bloq. mayús.] > [Nulo] | Matemáticas > Escala de funciones > Escala Encendido | Apagado). A continuación, pulse **Scaling Function** (Función de escalado) y seleccione **dB** para activar la operación de escalado de dB.



La lectura antes de aplicar la fórmula matemática se muestra en la pantalla secundaria.

Para cambiar el valor de referencia en dB, pulse **dB Reference Value** (Valor de referencia dB). Utilice las teclas de flecha para establecer el valor deseado. Pulse **[Enter]** ([Intro]) cuando haya terminado.



Para desactivar la operación de Escala dB, presione **Scaling ON | OFF** (Escala Encendido | Apagado).

### dBm Scaling

La escala logarítmica dBm (decibelios en relación con un milivatio) se utiliza a menudo en mediciones de señal de RF. El instrumento toma una medición y calcula la potencia entregada a una resistencia de referencia (normalmente 50 Ω, 75 Ω, o 600 Ω). La medición de la tensión se convierte entonces en dBm. La fórmula utilizada para calcular las mediciones de dBm es:

$$dBm = 10 \times \log_{10} [(Lectura^2 / R_{REF}) / 0.001 W]$$

Puede elegir entre varios valores de resistencia de referencia:

$R_{REF} = 2 \Omega, 4 \Omega, 8 \Omega, 16 \Omega, 50 \Omega, 75 \Omega, 93 \Omega, 110 \Omega, 124 \Omega, 125 \Omega, 135 \Omega, 150 \Omega, 250 \Omega, 300 \Omega, 500 \Omega, 600 \Omega, 800 \Omega, 900 \Omega, 1000 \Omega, 1200 \Omega, \text{ o } 8000 \Omega.$

### Operaciones del panel frontal

Presione **[Shift] > [Null] | Math > Function Scaling > Scaling ON | OFF**. ([Bloq. mayús. > [Nulo] | Matemáticas > Escala de funciones > Escala Encendido | Apagado). A continuación, pulse **Scaling Function** (Función de escalado) y seleccione **dBm** para activar la función de escala en dBm.



La lectura antes de aplicar la fórmula matemática se muestra en la pantalla secundaria.

Para cambiar el valor de referencia en dBm, pulse **dBm Reference Value** (Valor de referencia dBm). Utilice las teclas de flecha para seleccionar el valor deseado.



Para desactivar la operación de Escala dBm, presione **Scaling ON | OFF** (Escala Encendido | Apagado).

## Límites

La operación Límite le permite realizar pruebas de aprobación o rechazo (Pasa o Falla) en comparación con los límites superiores e inferiores especificados. El valor del límite superior que seleccione debe ser mayor que el valor del límite inferior. La configuración inicial de fábrica para ambos valores es cero.

- Esta operación matemática se aplica a todas las funciones de medición, excepto a la prueba de continuidad.
- El instrumento borra todos los límites después de restablecer los valores de fábrica (\*comando RST), los valores preestablecidos del instrumento (comando SYSTem:PRESet), o cuando se cambia una función de medición.

### Operaciones del panel frontal

Presione **[Shift]** > **[Null]** | **Math** > **Function Limits** > **Limits ON | OFF** ([Bloq. mayús.] > [Nulo] | Matemáticas > Funciones de Límite > Límites Encendido | Apagado).

Los valores límite y el estado se muestran en la parte inferior de la pantalla.

- PASA: Las lecturas están dentro de los límites especificados.
- FALLA-HI: La lectura está por encima del límite superior.
- FALLA-LO: La lectura está por debajo del límite inferior.





Para cambiar el valor del límite superior, pulse **High Limit** (Límite superior). Utilice las teclas de flecha para establecer el valor deseado. Pulse **[Enter]** ([Intro]) cuando haya terminado. El valor del límite superior debe ser siempre mayor que el límite inferior.

Para cambiar el valor del límite inferior, pulse **Low Limit** (Límite inferior). Utilice las teclas de flecha para establecer el valor deseado. Pulse **[Enter]** ([Intro]) cuando haya terminado.

Para activar el pitido, presione **Beeper ON | OFF**. (Pitido Activado | Desactivado). Cada vez que el valor de entrada pasa de PASS a HIGH o de PASS a LOW, o cuando pasa directamente de HIGH a LOW o de LOW a HIGH, el instrumento emite un pitido.

Para desactivar la operación de Límite, presione **Limits ON | OFF** (Límite Activado | Desactivado).

## Estadísticas

La operación de Estadísticas almacena los valores mínimos y máximos, el promedio y el número de lecturas durante una serie de mediciones.

- Esta operación matemática se aplica a todas las funciones de medición, excepto a la prueba de continuidad y de diodo.
- Los datos estadísticos almacenados se borran cuando se activan las estadísticas, cuando se envía el comando CALCulate:FUNCTION mientras el comando CALCulate:STATE está activado, cuando se apaga la alimentación, después de restablecer los valores de fábrica (\*comando RST), los valores preestablecidos del instrumento (comando SYSTem:PRESet), o cuando se cambia una función de medición.

### Operaciones del panel frontal

Presione [Shift] > [Null] | Math > Function Statistics > Statistics ON | OFF. ([Bloq. mayús.] > [Nulo] | Matemáticas > Funciones de Estadística > Estadística Encendido | Apagado).



En la parte inferior de la pantalla se muestran las lecturas mínimas, máximas y medias junto con el número de muestras tomadas.

Para desactivar las lecturas, presione **Statistics ON | OFF** (Estadísticas Activado | Desactivado).

## Adquirir

El EDU34450A puede funcionar en modo de medición **Continuo** o de **Registro de datos**.

### Continuo

Al encenderse, el modo de medición predeterminado es **Continuous** (Continuo). Las lecturas continuas se realizan a la velocidad más rápida posible para la configuración de medición seleccionada. Para configurar la fuente del disparador para el modo continuo, siga estos pasos:

1. Configure el multímetro para la medición seleccionando la función, rango, resolución, etc.
2. Especifique el modo de medición del multímetro. Las opciones son las siguientes:
  - Un disparador interno **inmediato** (predeterminado).
  - Un disparador manual o de software (**Bus**) desde la interfaz remota.
3. Asegúrese de que el multímetro está listo para aceptar un disparo de la fuente especificada (llamado estado Aguardar--disparo).

### Disparo inmediato



En el modo de disparo continuo, la señal de disparo está siempre presente. Cuando coloca al multímetro en el estado Aguardar disparo, el disparo sucede de manera inmediata. Esta es la fuente del disparo predeterminada para el funcionamiento de la interfaz remota.

### Operación de la interfaz remota

El siguiente comando selecciona la fuente de disparo inmediato: TRIGger:SOURce IMMEDIATE

Los comandos CONFigure y MEASure? establecen automáticamente la fuente del disparo en IMMEDIATE.

Consulte la *Guía de Programación de EDU34450A de Keysight* para obtener una descripción completa y la sintaxis de estos comandos.

### Disparo de software (Bus)

*La fuente de disparo del software (Bus) solo se puede activar a través del SCPI.*

El instrumento se dispara automáticamente de inmediato cuando se envía un comando de disparo de Bus.

- El comando TRIGger:SOURce BUS selecciona la fuente de disparo del bus.
- El comando MEASure? sobrescribe el disparador de BUS y activa el DMM y devuelve una medición.

- El comando READ? no sobrescribe el disparador de BUS, y si se selecciona, genera un error. Solo producirá un disparo en el instrumento y devolverá una medición cuando se selecciona el disparo inmediato.
- El comando INITiate solo inicia la medición y necesita un disparo (BUS or IMMEDIATE) para realizar la medición.

Consulte la *Guía de Programación de EDU34450A de Keysight* para obtener una descripción completa y la sintaxis de estos comandos.

## Registro de datos

El modo de medición del registro de datos, solo está disponible en el panel frontal del multímetro. El modo de registro de datos proporciona una interfaz de usuario en el panel frontal que permite configurar el registro de datos en la memoria no volátil del instrumento, sin necesidad de programación y sin conexión a una computadora. Una vez que haya terminado de recopilar datos, puede verlos desde el panel frontal o puede ver los datos desde su computadora (DATA:DATA? NVMEM).

### Operaciones del panel frontal

Para seleccionar el modo de medición del registro de datos, pulse [Acquire] > Acquire Continuous > Acquire Data Log ([Adquirir] > Adquirir Continuo > Adquirir Registro de datos).



A continuación, se puede seleccionar el intervalo de muestra (tiempo entre mediciones – por ejemplo, 500 ms), la duración como una cantidad de tiempo o un número de lecturas, y si se debe iniciar después de un retardo.

- Presione **Trigger Delay** (Retardo de disparo) para establecer el tiempo de retardo (0 a 3600 segundos) entre que se inicia un disparo y la función de registro de datos realiza la primera lectura. La menor resolución de tiempo de retardo es 100  $\mu$ s.
- Presione **Trigger Count** (Conteo de disparos) para establecer el total de disparos que se recibirán. Puede configurarse de 1 a 5000 disparos para la medición de una sola pantalla y 2500 disparos para la medición de dos pantallas.



– Presione **Sample Interval** (Intervalo de muestra) para establecer el tiempo de demora (máximo 3600 segundos) entre las lecturas subsiguientes. La menor resolución de es 100  $\mu$ s. El intervalo mínimo depende de la configuración y puede ser inferior a 1 s.

– Presione **Sample Count** (Conteo de muestras) para especificar el número de lecturas (muestras) que el instrumento tomará por cada disparo. El número total de lecturas devueltas será el producto del recuento de muestras y del recuento de disparos. (Número de lecturas = Conteo de muestras x Conteo de disparos).

Después de configurar los parámetros de registro de datos, pulse **Data Log ON |OFF** (Registro de datos Activado | Desactivado) para activar el registro de datos.

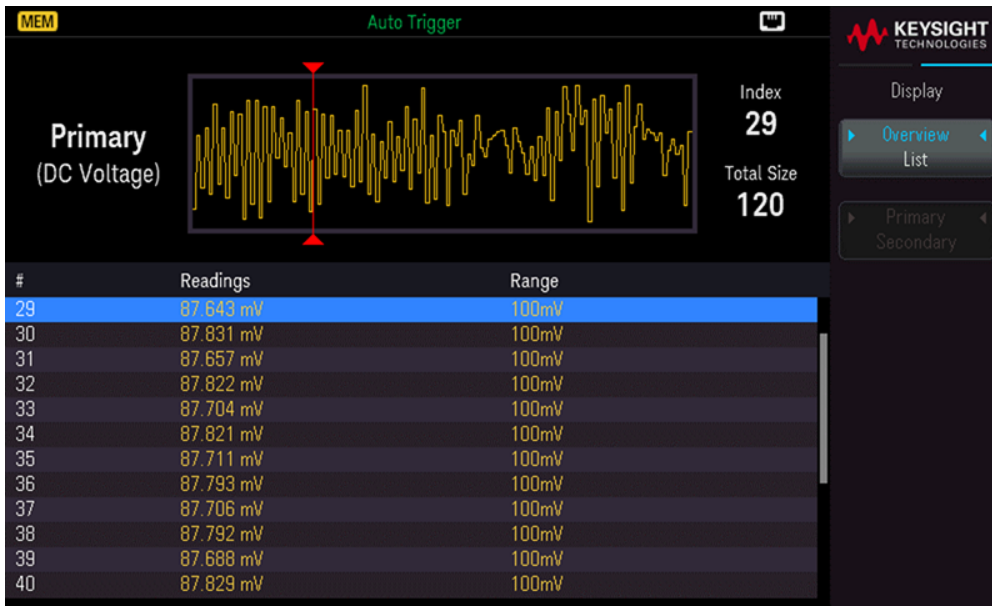


Para salir, presione **[Run/Stop]** (Ejec./Detener). El registro de datos comenzará inmediatamente o después del retardo de disparo especificado (si el recuento de disparos es > 1).

El registro de datos se detendrá después de que se haya recogido el número especificado de lecturas (Recuento de muestras).

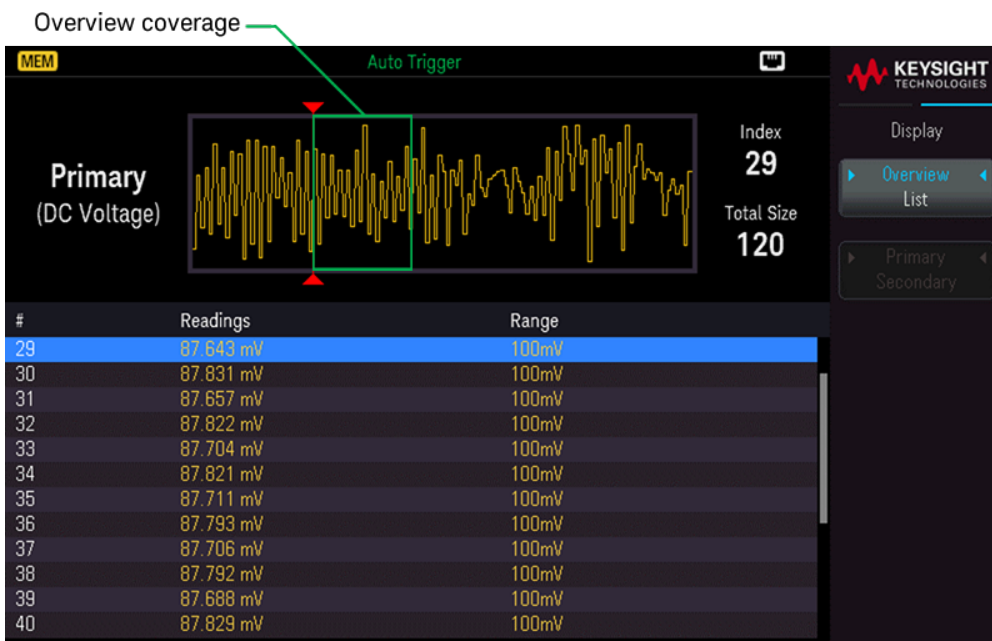
### Cómo ver las lecturas de los datos registrados

Pulse **[Display] > View Log** ([Pantalla] > Ver registro) para ver las lecturas registradas de datos. Se muestran 12 puntos de datos en un mismo momento.



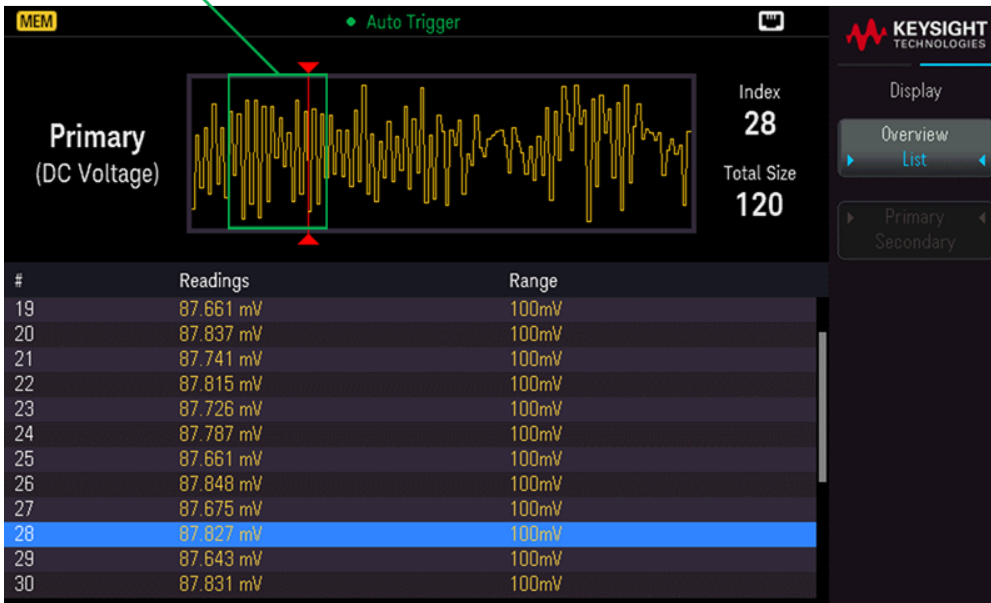
Utilice las teclas de flecha [Down] o [Up] ([Abajo] o [Arriba]) para resaltar el punto de datos siguiente o anterior. Las teclas de flecha [Right] o [Left] ([Derecha] o [Izquierda]) para visualizar la página siguiente o anterior.

- El **Resumen** siempre muestra los siguientes 12 puntos de datos.



- La **Lista** le permite pasar por los puntos de datos que se muestran.

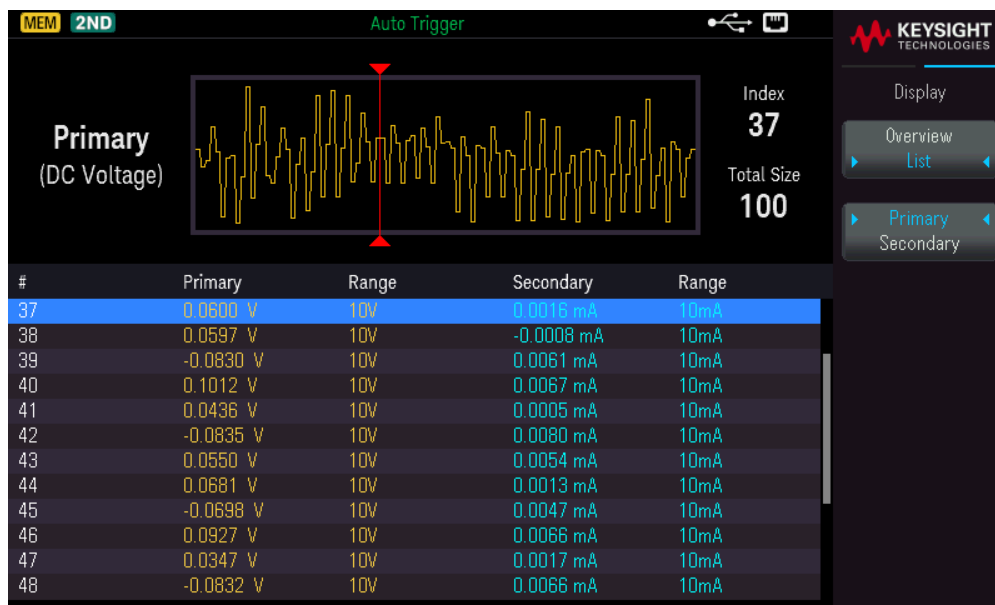
List coverage

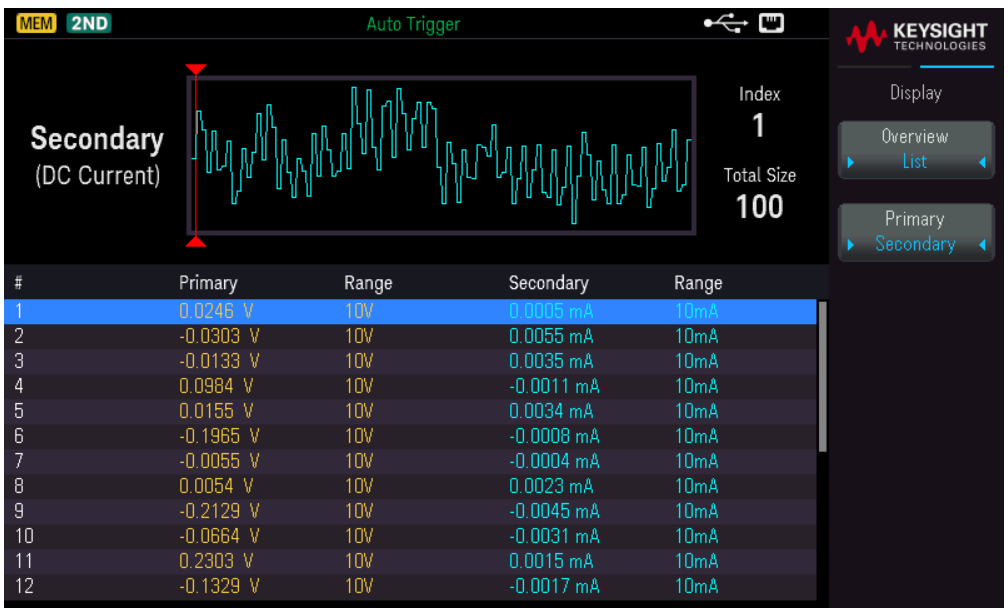


Puede registrar los datos de las mediciones principales y secundarias si la **Pantalla secundaria** está activada.



Presione **Primary** | **Secondary** (Principal | Secundario) para alternar entre las lecturas de la pantalla principal (en amarillo) o secundaria (en azul).





## Probe Hold

La función de retención de la sonda le permite capturar y retener una lectura en la pantalla del panel frontal. Esto es útil en situaciones en las que se quiere tomar una lectura, retirar las sondas de prueba y hacer que la lectura permanezca en pantalla.

- Cuando se detecta una lectura estable, el instrumento emite un sonido (si está activada la emisión de sonido), y mantiene la lectura en la pantalla principal. La variación preestablecida es del 10 % de la escala completa.
- Se captura un nuevo valor de lectura cuando la variación del valor medido supera la variación preestablecida. El instrumento emite un pitido (si el pitido está activado) cuando se actualiza una lectura capturada.
- El valor de lectura no se actualiza cuando la medición no alcanza un estado estable (si se excede la variación predeterminada).

Cuando se habilita, el instrumento comienza a evaluar las lecturas utilizando las reglas que se describen a continuación:

$$\text{Pantalla principal} = \text{Lectura}_N \text{ Si } \text{Máx}() - \text{Mín}() \leq 0.1 \% \times \text{Lectura}_N$$

La decisión de actualizar un nuevo valor de la lectura en la pantalla principal se basa en las estadísticas de movimiento de impulso rectangular de la lectura actual y las tres lecturas previas:

$$\text{Máx} (\text{Lectura}_N \text{ Lectura}_{N-1} \text{ Lectura}_{N-2} \text{ Lectura}_{N-3})$$

$$\text{Mín} (\text{Lectura}_N \text{ Lectura}_{N-1} \text{ Lectura}_{N-2} \text{ Lectura}_{N-3})$$

### Operación del panel frontal

Presione **[Shift]** > **[Acquire]** | **Probe Hold** ([Bloq. mayús.] > [Adquirir] | Retención de sonda).



La lectura capturada se muestra en la parte inferior de la pantalla. La lectura en vivo se muestra en la parte superior izquierda de la pantalla.

- Presione [ - ] o [ + ] para disminuir o aumentar el rango de medición manualmente. Presione [Range] ([Rango]) para activar el rango automático.
- Presione **Resolution** (Resolución) para cambiar la resolución entre **Slow** or **Medium** (Lenta o Media).
- Presione **Remove Last** (Eliminar último) para eliminar la última lectura capturada.
- Presione **Clear Readings** (Borrar lecturas) para borrar todas las lecturas capturadas.
- Para activar el pitido, presione **Beeper ON | OFF**. (Pitido Activado | Desactivado). Cuando se detecta una lectura estable o cuando se actualiza la lectura capturada, el instrumento emite un pitido.

## Ejecutar/detener

- Al pulsar [Run/Stop] (Ejecutar/detener) cuando está en el modo de medición de **Registro de datos**, se inicia el registro de datos cuando ha transcurrido el retardo especificado.
- El registro de datos se detendrá después de que se haya producido la duración especificada (tiempo o número de lecturas) o después de pulsar durante mucho tiempo [Run/Stop] (Ejecutar/detener).

## Menú Utilidad

Presione **[Shift]** > **[Store/Recall]** | **Utility**(Bloq. mayús > [Almacenar/Recuperar] | Utilidad).



El menú **Utility** (Utilidad) ofrece las siguientes características:

Configura los parámetros de E/S para la operaciones remotas

Proporciona acceso a las funciones de autocomprobación, calibración y seguridad

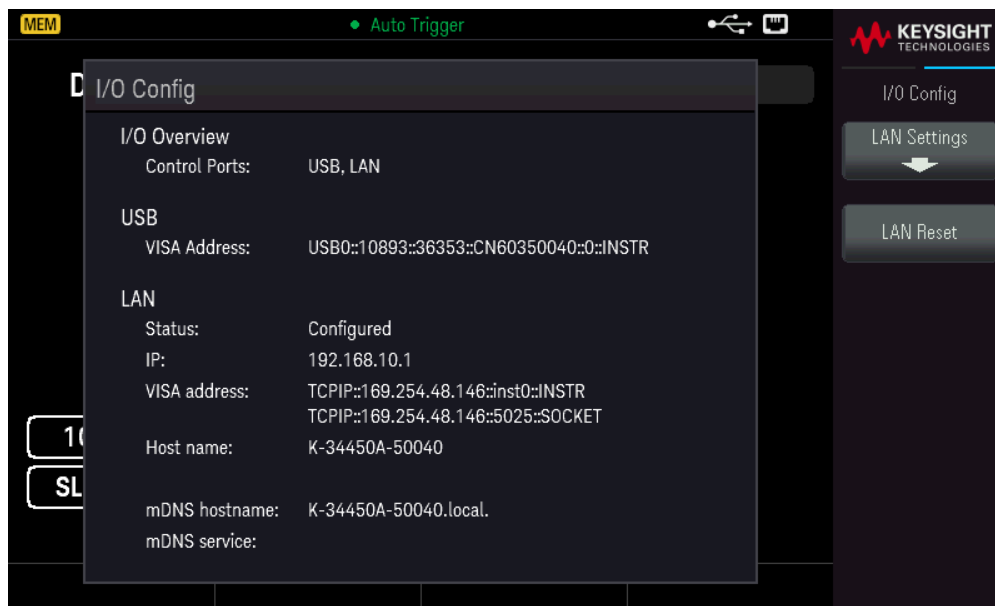
Especifica las preferencias del usuario que controlan la forma de interactuar con el instrumento

Muestra la información relacionada con el instrumento y permite ver todos los errores registrados



## Menú de configuración de E/S

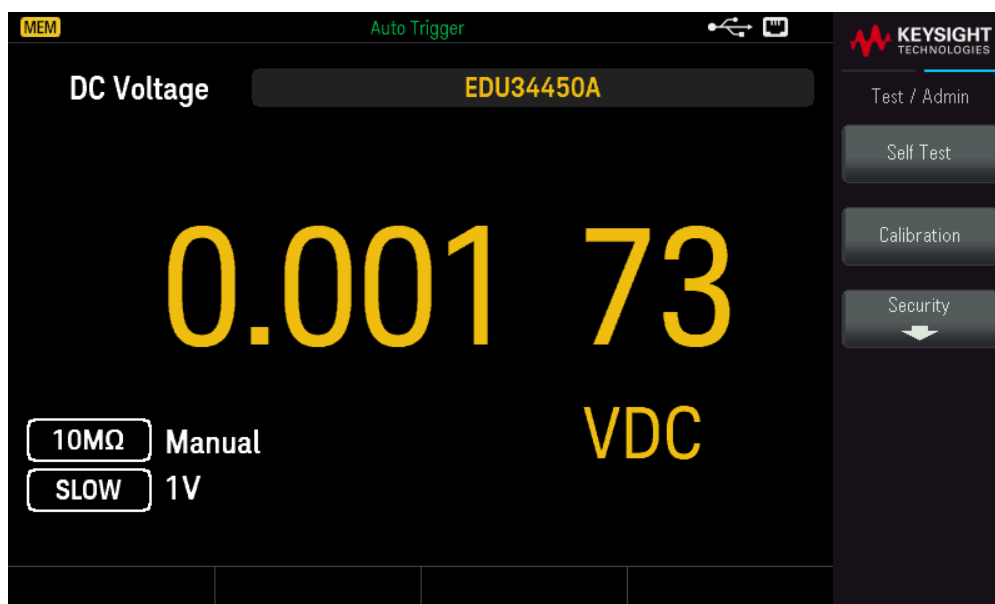
**I/O Config** (Configuración de E/S) configura los parámetros de E/S para operaciones remotas a través de la interfaz LAN.



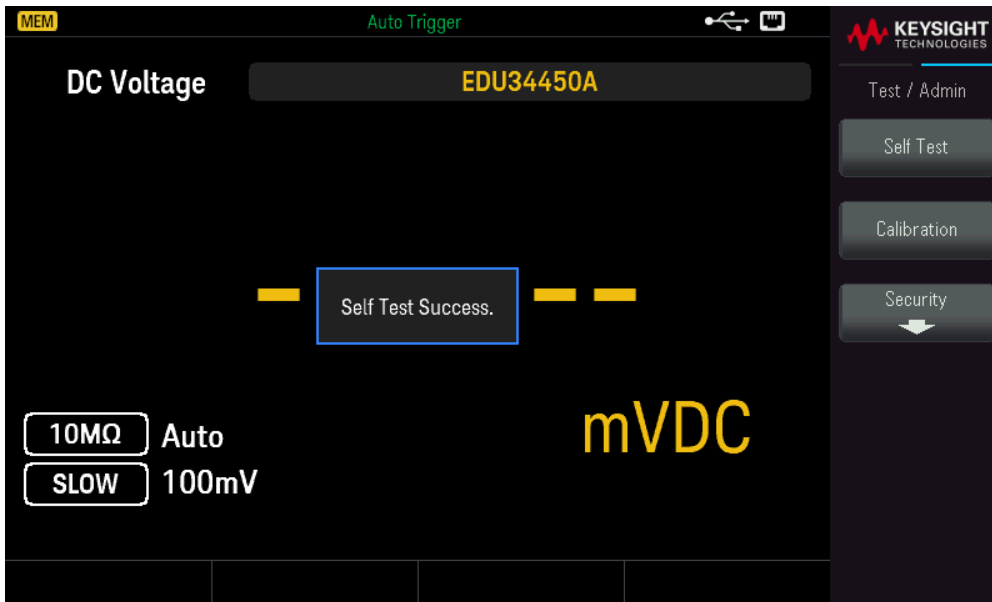
Consulte [Conexiones de la interfaz remota](#) y [Configuraciones de la interfaz remota](#) para obtener más detalles.

## Menú de configuración del instrumento

**Instr. Setup** (Configuración del instrumento) proporciona acceso a las funciones de autocomprobación, calibración y seguridad.



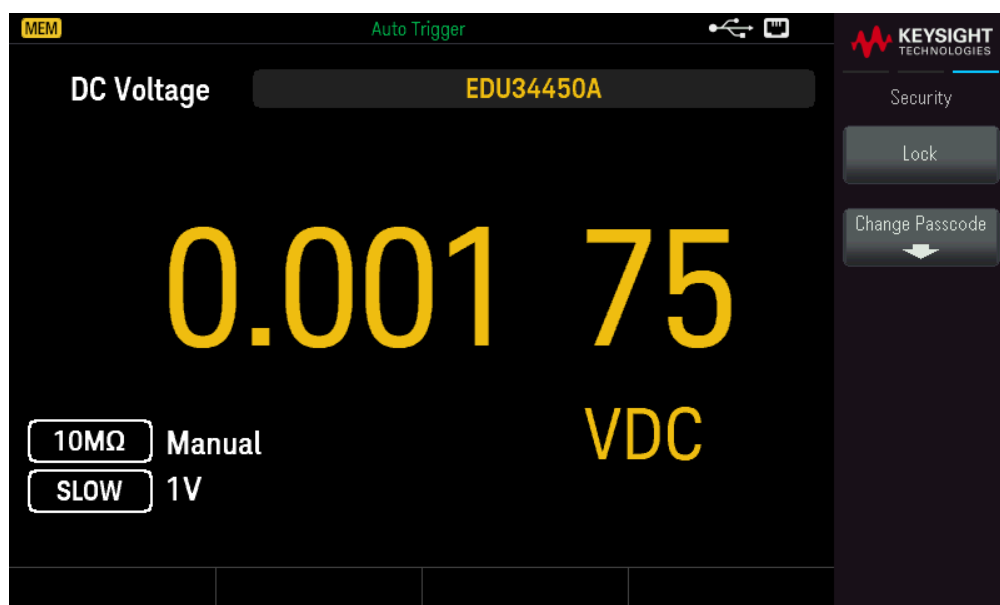
**Self Test** (Autocomprobación) verifica el correcto funcionamiento del instrumento. Esta autocomprobación es equivalente a consulta SCPI \*TST?, y no es necesario retirar las entradas del instrumento para realizar la prueba.



**Calibration** (Calibración) accede al procedimiento de calibración del instrumento. Consulte "Procedimientos de ajuste de la calibración" en la *Guía de Servicios de EDU34450A* para obtener más detalles.



**Security** (seguridad) gestiona la contraseña y permite bloquear o desbloquear el instrumento en caso de una calibración no autorizada.



Pulse **Lock** (Bloquear) para asegurar el instrumento en caso de una calibración accidental o no autorizada. Cuando se envía desde fábrica, el instrumento está asegurado, con el código de seguridad (contraseña de calibración) establecido en **EDU34450A**. Se debe usar el mismo código de seguridad para el panel frontal y la operación remota. Si asegura el instrumento desde el panel frontal, use ese mismo código para desprotegerlo de la interfaz remota.

Presione **Change Passcode** (Cambiar clave de acceso) para cambiar la clave de acceso. La clave de acceso es una cadena no citada de hasta 12 caracteres, debe comenzar con la letra (A-Z), y puede contener letras, números (0-9) y guiones bajos. Presione **Confirm** (Confirmar) para guardar los cambios cuando haya terminado.

### Menú de ajustes del usuario

**User Settings** (Ajustes del usuario) especifica las preferencias del usuario que controlan cómo este interactúa con el instrumento. Estos ajustes se almacenan en la memoria no volátil.



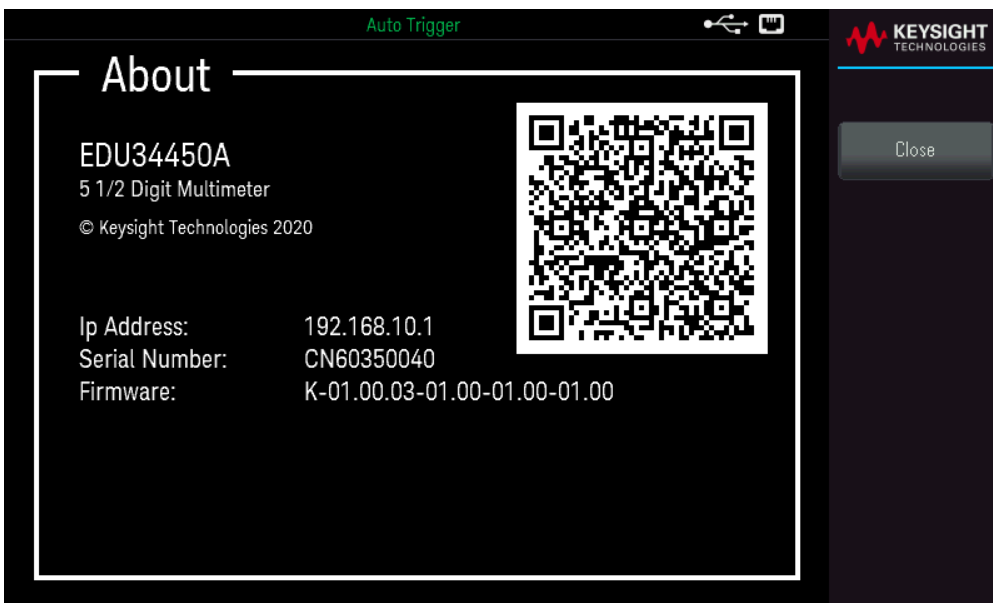
- **Language** (Idioma) selecciona el idioma que se usa en el panel frontal: inglés, francés, alemán, español, chino simplificado, chino tradicional, japonés, coreano o ruso. Todos los mensajes, la ayuda contextual y los temas de ayuda aparecerán en el idioma seleccionado. Las etiquetas de las teclas de función y los mensajes de la línea de estado no se traducen, es decir, siempre están en inglés.
- El **Beeper** (Pitido) habilita o deshabilita el tono audible (**ON o OFF**) asociado a las siguientes características:
  - Límites: se excede un límite de medición (si los límites están habilitados)
  - Probe Hold: la señal medida registra una lectura estable
  - Diodo: la tensión de polarización directa está entre 0.3 y 0.8 V
  - Error: se genera un error desde el panel frontal o la interfaz remota
- **Key Click** (Pulsación de teclas) activa o desactiva el clic que se escucha cuando se presiona una tecla del panel frontal o una tecla de función.
- **Display** (Pantalla) apaga la pantalla. Presione cualquier tecla del panel frontal para volver a encenderlo.
- **Auto-Dim** (Atenuación automática) atenúa la pantalla después de 2 minutos de inactividad.
- **Date / Time** (Fecha / Hora) configura el reloj en tiempo real del instrumento, que siempre utiliza un formato de 24 horas (00:00:00 a 23:59:59). No hay un ajuste automático de la fecha y la hora, como para ajustar el horario de verano. Use las teclas de flecha del panel frontal para ajustar el año, el mes, el día, la hora, los minutos y los segundos.

## Menú Ayuda

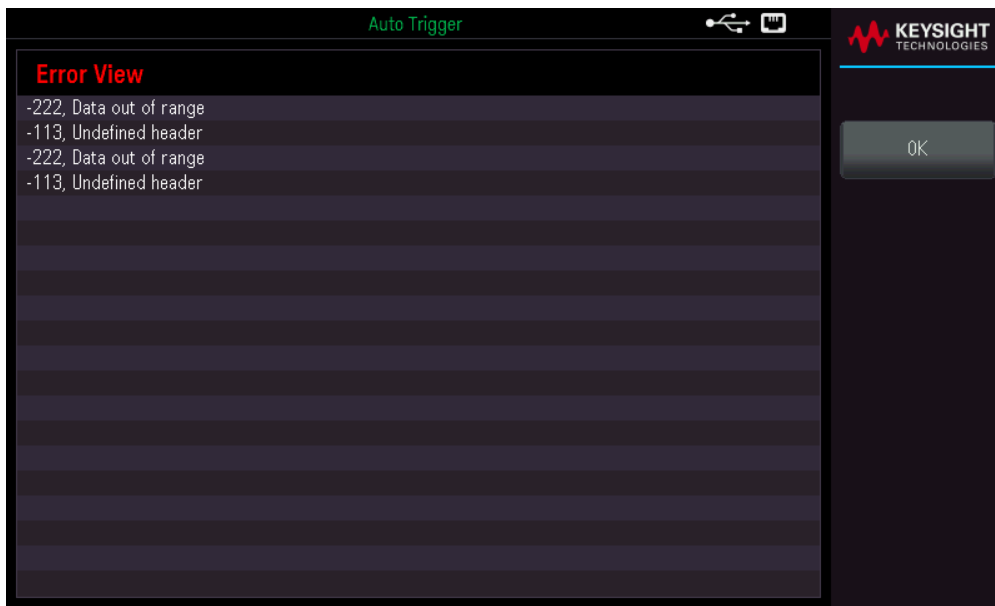
**Help** (Ayuda) muestra la información relacionada con su instrumento y le permite ver todos los errores en la cola de errores.



**About** (Acerca de) muestra la dirección IP del instrumento, el número de serie y la revisión del firmware. Escanee el código QR mostrado para ver la documentación relacionada con este instrumento.



**Error View** (Visualización de errores) muestra todos los errores de la cola de errores. Consulte "SYSTEM:ERRor?" en la *Guía de Programación de EDU34450A* para obtener más detalles.



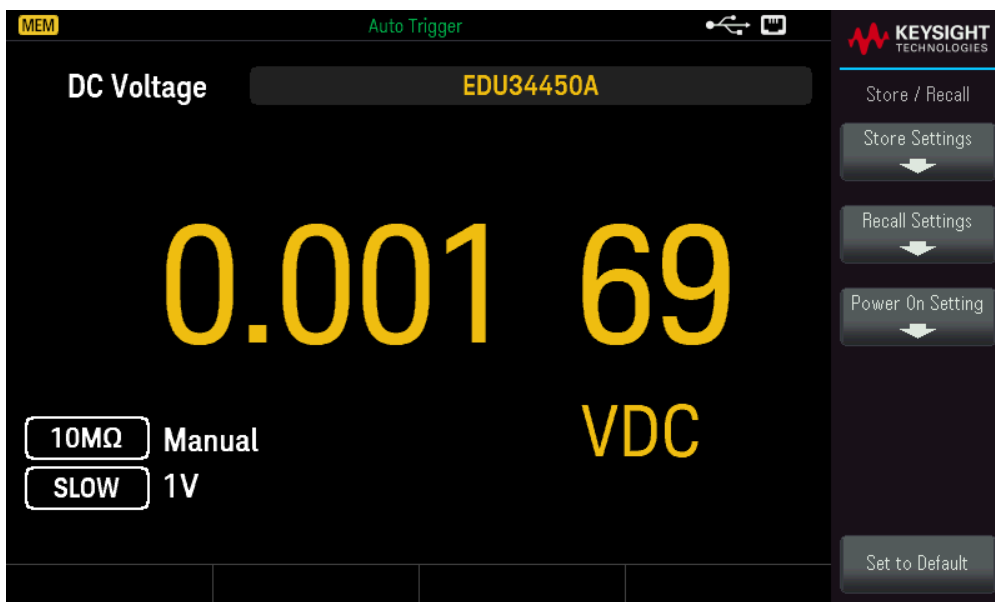
## Store/Recall (Almacenar/Recuperar)

Puede guardar y recuperar los estados completos de los instrumentos.

- Hay cinco registros internos de almacenamiento de usuarios; numerados del 1 al 5.
- El estado actual de instrumento, incluidos los ajustes para la configuración de la medición, operación matemática y operaciones del sistema, puede guardarse en una de las cinco ubicaciones de memoria no volátil, y luego puede recuperarlo.
- Para operación remota, consulte el subsistema MEMory, los comandos \*SAV, y \*RCL de la *Guía de referencia programación de EDU34450A de Keysight*.

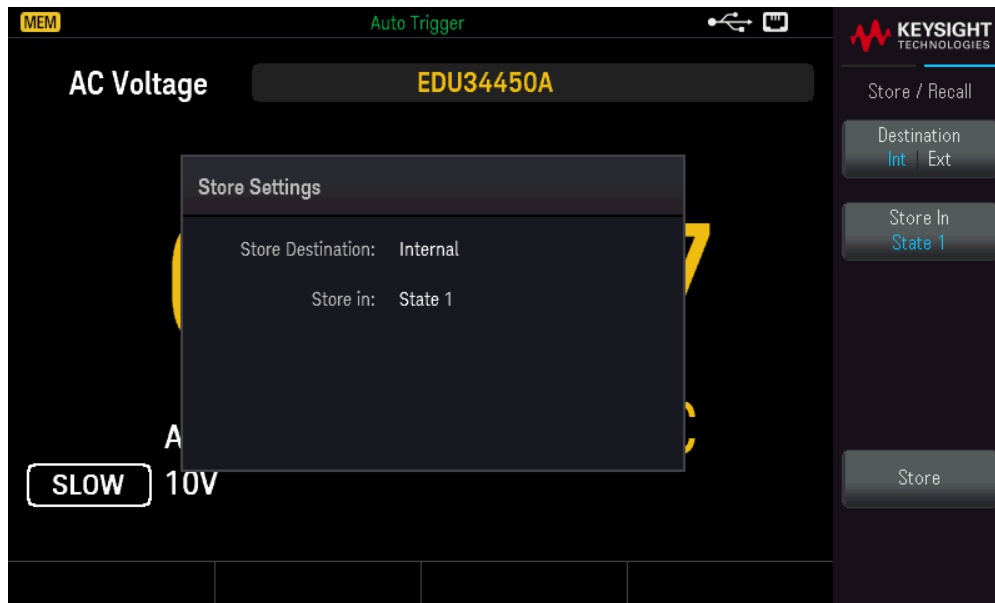
### Operaciones del panel frontal

Presione [Store/Recall] (Almacenar/Recuperar).



## Almacenar ajustes

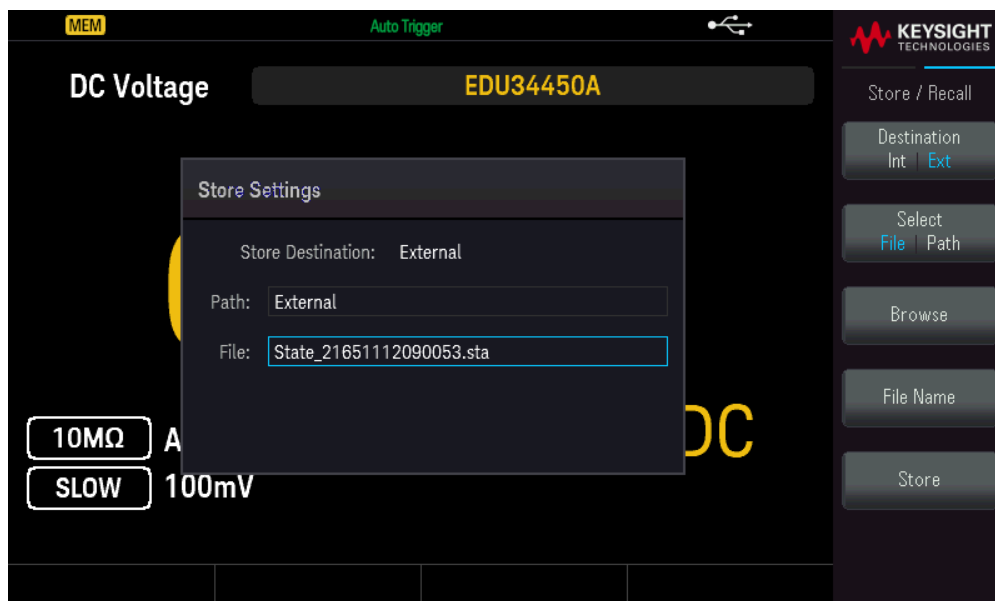
La opción **Store Settings** (Almacenar ajustes) le permite navegar hasta un directorio y especificar un nombre de archivo, y elegir si desea almacenar un archivo de estado de forma interna o en una unidad flash USB externa.



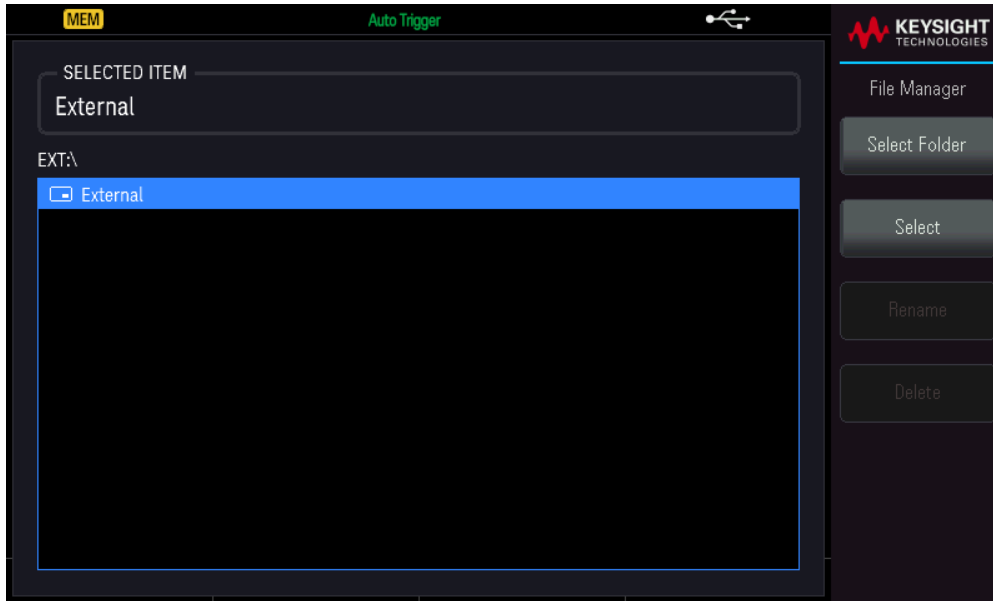
## Para almacenar un estado del instrumento internamente

- Seleccione **Destination Int | Ext** (Destino Int | Ext) le permite almacenar el estado del instrumento internamente dentro de la memoria no volátil del instrumento.
- Seleccione **Store In** (Almacenar en) en para elegir entre las opciones disponibles: **Last, State 1, State 2, State 3, State 4 o State 5** (Último, Estado 1, Estado 2, Estado 3, Estado 4, Estado 5).
- Presione **Store** (Almacenar) para guardar el estado actual del instrumento en la ubicación de almacenamiento seleccionada.

## Para almacenar un estado del instrumento externamente

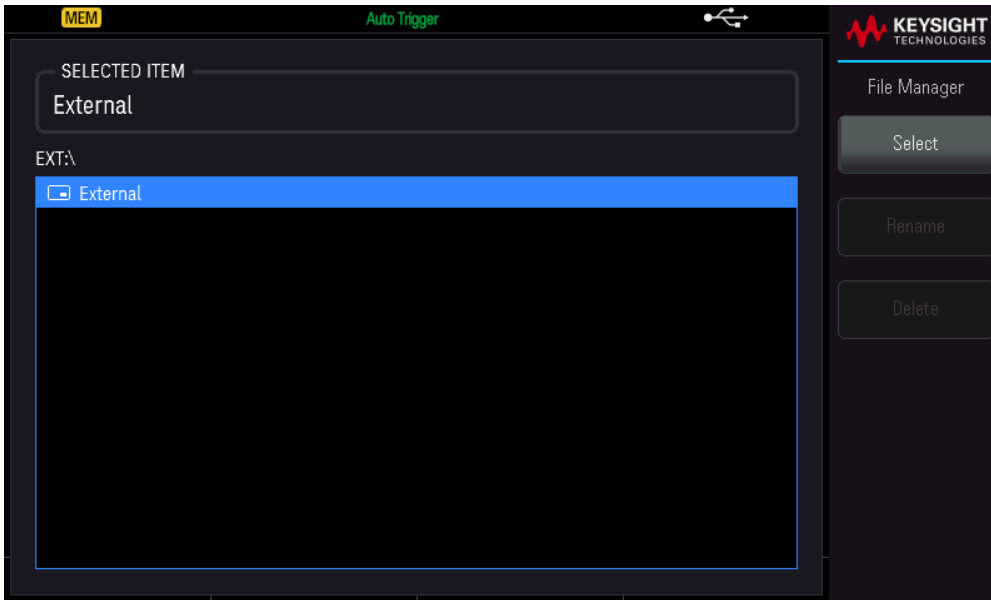


- Presione **Destination Int | Ext** (Destino Int | Ext) para almacenar el estado del instrumento en una unidad flash USB externa conectada.
- Presione **Select File | Ruta**. Presione **Browse** (Examinar) para navegar por el directorio de la unidad flash USB externa conectada. Utilice las teclas de flecha para navegar.



- Presione **Select Folder** (Seleccionar carpeta) para seleccionar una carpeta en el directorio del dispositivo USB externo conectado.
- Presione **Rename** (Renombrar) para cambiar el nombre del archivo.
- Presione **Delete** (Eliminar) para eliminar el archivo seleccionado.
- Presione **Select** (Seleccionar) para confirmar su selección.
- Presione **Select File | Ruta**. Presione **Browse** (Examinar) para navegar por el directorio de la unidad flash USB externa conectada. Utilice las teclas de flecha para navegar.

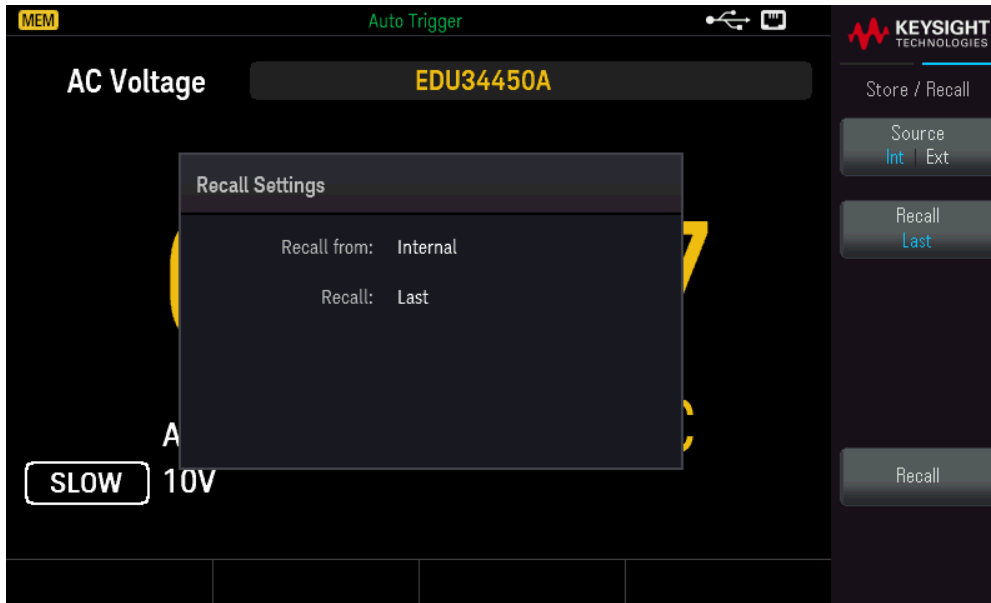




- Presione **Rename** (Renombrar) para cambiar el nombre del archivo.
  - Presione **Delete** (Eliminar) para eliminar el archivo seleccionado.
  - Presione **Select** (Seleccionar) para confirmar su selección.
- Seleccione **File Name** (Nombre de archivo) para especificar un nombre de archivo.
- Presione **Store** (Almacenar) para guardar el estado actual del instrumento en la ubicación de almacenamiento seleccionada.

## Recuperar ajustes

**Recall Settings** (Recuperar ajustes) le permite navegar hasta el archivo a recuperar. Utilice las teclas de flecha para navegar hasta el archivo de estado deseado (\*.sta).



### Para recuperar un estado del instrumento almacenado internamente

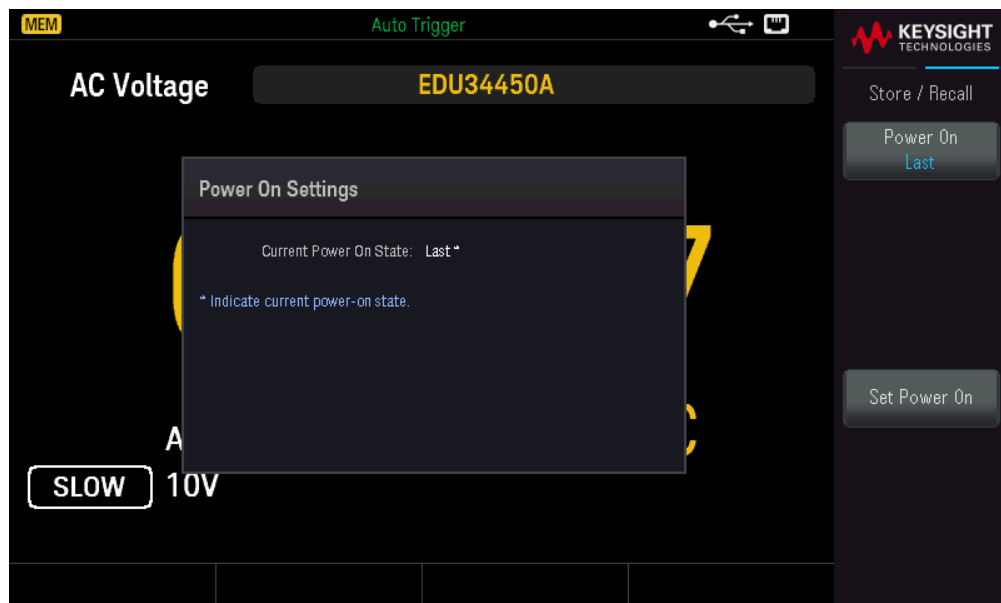
- Seleccione **Fuente Int | Ext** (Fuente Int | Ext) para recuperar un estado del instrumento que se almacena internamente en la memoria no volátil del instrumento.
- Seleccione **Recall** (Recuperar) para elegir entre las opciones disponibles: **Last**, **State 1**, **State 2**, **State 3**, **State 4** o **State 5** (Último, Estado 1, Estado 2, Estado 3, Estado 4, Estado 5).
- Presione **Recall** (Recuperar) para recuperar el estado del instrumento desde el lugar de almacenamiento seleccionado.

### Para recuperar un estado del instrumento almacenado externamente

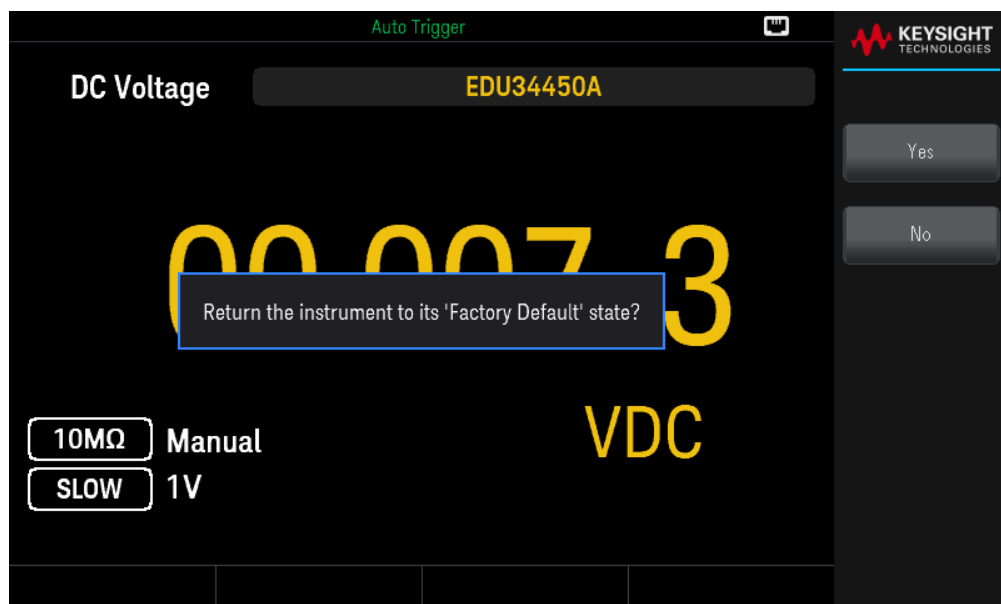
- Seleccione **Source Int | Ext** (Fuente Int | Ext) para almacenar el estado del instrumento en una unidad flash USB externa conectada.
- Seleccione **Browse** (Examinar) para explorar el directorio del dispositivo USB externo conectado. Utilice las teclas de flecha para navegar.
- Presione **Recall** (Recuperar) para recuperar el estado del instrumento desde el lugar de almacenamiento seleccionado.

## Ajuste de encendido

**Power On** selecciona el estado que se carga en el encendido. Este puede ser el estado en que se apagó el instrumento con el interruptor de encendido (**Last**) o el estado predeterminado de fábrica (**Factory Default**).



Pulse **Set Power On** (Configurar encendido) para confirmar su selección de encendido (**Last** o **Factory Default** Última o predeterminada de fábrica).

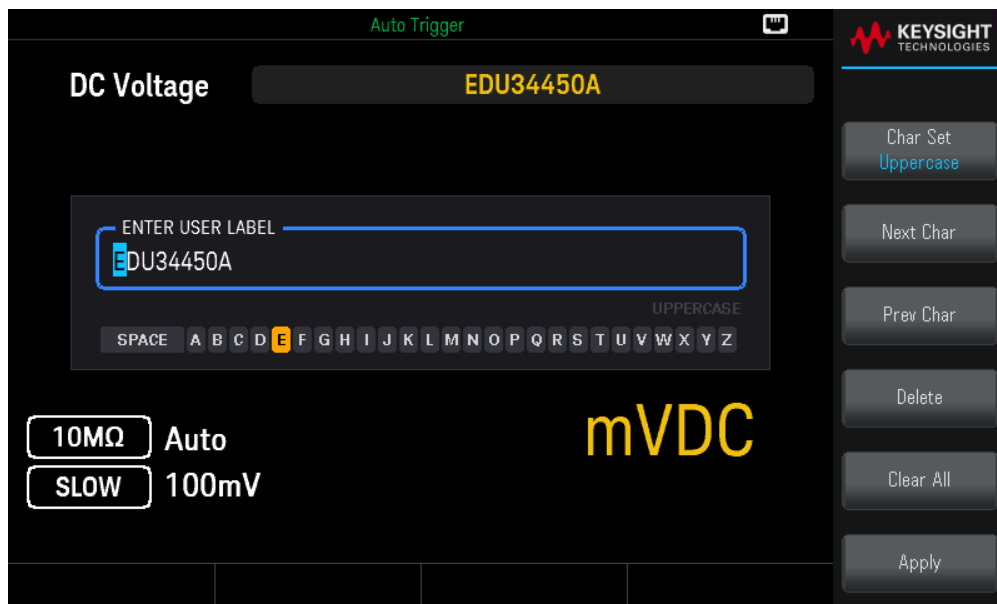


## Etiqueta de usuario

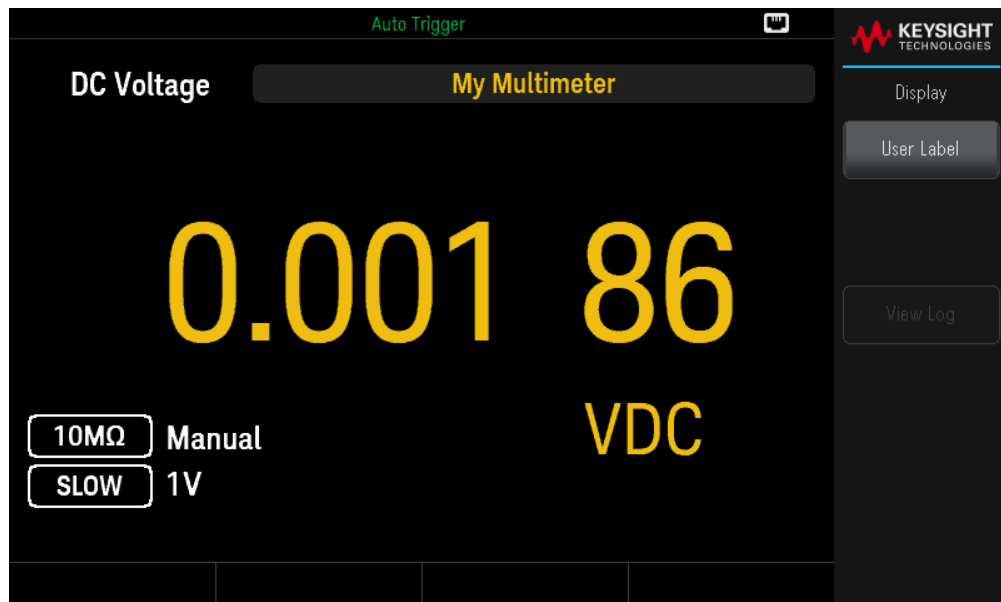
Pulse **[Display]** > **User Label** ([Pantalla] > Etiqueta de usuario) para cambiar la etiqueta que se muestra en la interfaz de usuario.



La etiqueta de usuario se introduce como una cadena con las teclas de función proporcionadas. La etiqueta de usuario puede incluir letras, números y símbolos ( \_ - + = # % @ \$ ( ) [ ] { } ~ . ).



Presione **Apply** (Aplicar) para guardar los cambios.



# 4 Características y especificaciones

**NOTA**

Para ver las características y especificaciones del multímetro digital de 5 ½ dígitos EDU34450A, consulte la hoja de datos en: <https://www.keysight.com/us/en/assets/3121-1002/data-sheets/EDU34450A-5-5-Digit-Dual-Display-Digital-Multimeter.pdf>.

---

# 5 Tutoriales de medición

Consideraciones de mediciones de CC

Rechazo de ruido

Consideración de la velocidad de medición

Consideraciones sobre la medición secundaria

Consideraciones de las mediciones de resistencia

Mediciones de RMS verdaderas en CA

Otras funciones principales de medición

Otras fuentes de errores de medición

El multímetro digital de 5½ dígitos EDU34450A de Keysight es capaz de hacer mediciones muy precisas. Con el fin de lograr el mayor grado de precisión, debe tomar las medidas necesarias para eliminar posibles errores de medición. Este capítulo describe los errores comunes que se encuentran en las mediciones y proporciona sugerencias sobre lo que puede hacer para evitar estos errores.

## Consideraciones de mediciones de CC

### Errores de EMF térmicos

Las tensiones termoeléctricas son una de las fuentes más comunes de errores en mediciones de tensión de CC a bajo nivel. Los voltajes termoeléctricos se generan cuando realiza conexiones de circuitos con diferentes metales y temperaturas. Cada empalme de metales forma un termopar, que genera una tensión proporcional a la temperatura del empalme. Debe tomar las precauciones necesarias a fin de minimizar las tensiones del termopar y las variaciones de temperatura en las mediciones de tensión de bajo nivel. Las mejores conexiones se forman utilizando conexiones de cobre con cobre enrolladas, ya que los terminales de entrada del instrumento son de aleación de cobre. La tabla a continuación muestra las tensiones termoeléctricas más comunes para las conexiones entre metales diferentes.

Cobre-a-	Aprox. mV / °C
Soldadura cadmio-estaño	0.2
Cobre	<0.3
Oro	0.5
Plata	0.5
Bronce	3
Cobre berilio	5
Aluminio	5
Soldadura estaño-plomo	5
Kovar o aleación 42	40
Silicona	500
Cobre-Óxido	1000

### Rechazo de ruido

#### Rechazo de tensiones de ruido de línea eléctrica

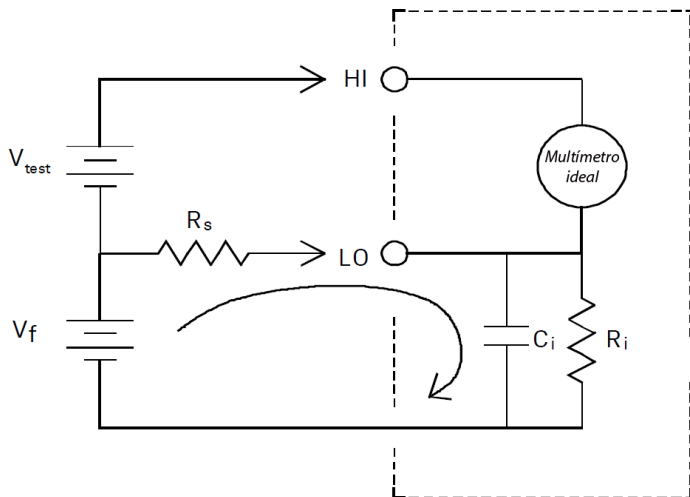
Una característica deseable para integrar conversores analógicos a digital (A/D) es su capacidad para rechazar ruidos relacionados a la línea de alimentación presente con las señales de entrada de CC. Se lo denomina rechazo del ruido en modo normal, o NMR. El instrumento logra NMR midiendo la entrada CC promedio mediante su "integración" durante un período fijo.

#### Rechazo de modo común (CMR)

De manera ideal, un multímetro debe estar aislado completamente de los circuitos con referencia a tierra. Sin embargo, hay una resistencia finita entre el terminal LO de entrada del instrumento y la toma a tierra, tal como se describe a continuación. Esto puede causar errores al medir bajas tensiones que están flotando en relación con la toma a tierra.



La figura de abajo muestra un circuito de Rechazo de modo común (CMR):



$V_f$  = Tensión flotante  
 $R_s$  = Resistencia fuente del DUT  
 $R_i$  = Resistencia de aislamiento del multímetro (LO-Tierra)  
 $C_i$  = Capacitancia de entrada del multímetro

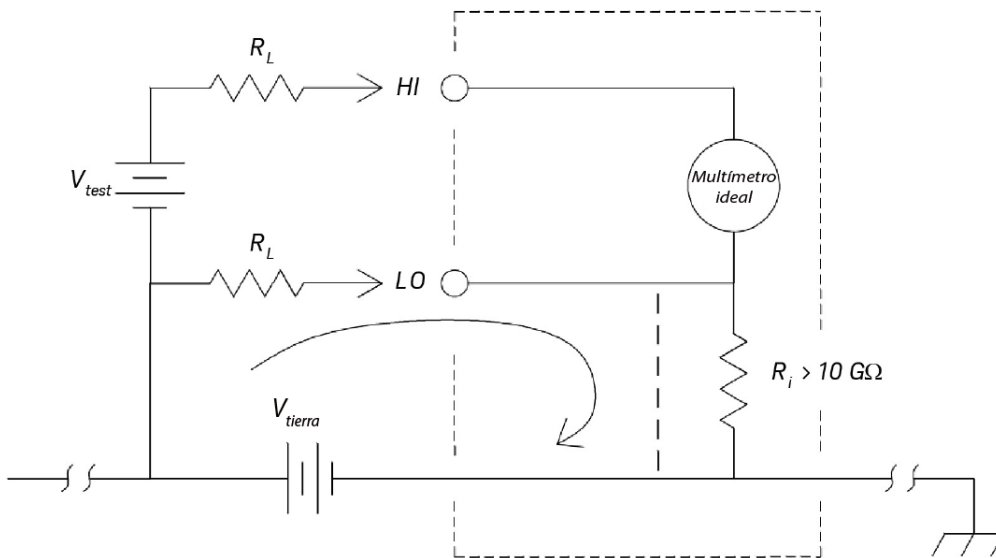
$$Error (v) = \frac{V_f \times R_s}{R_s + R_i}$$

### Ruido causado por bucles magnéticos

Si está realizando mediciones cerca de campos magnéticos, se recomienda evitar inducir tensión en las conexiones de medición. Debe tener especial cuidado cuando trabaje cerca de conductores que transportan grandes corrientes. Puede utilizar conexiones de cables de par trenzados al instrumento para reducir el área de bucle de entrada de ruido, o colocar los cables de prueba tan cerca como sea posible. Los cables de prueba flojos o que vibran también provocan errores de tensión. Ate los cables de prueba de manera segura cuando opere cerca de campos magnético. En la medida de lo posible, utilice materiales de protección magnética o aumente la distancia de las fuentes magnéticas.

### Ruido causado por bucle de tierra

Al medir la tensión en circuitos en donde el instrumento y el dispositivo en prueba se referencian a una conexión a tierra común, se forma un bucle de tierra. Como se muestra en la figura a continuación cualquier diferencia de tensión entre los dos puntos de referencia a tierra ( $V_{ground}$ ) hace que una corriente fluya a través del cable de medición. Esto ocasiona ruido y tensión de compensación (generalmente relacionados con la entrada de alimentación), que se agregan a la tensión medida.



$R_L$  = Resistencia del cable  
 $R_i$  = Resistencia de aislamiento del multímetro  
 $V_{tierra}$  = Caída de tensión o Bus a tierra

La mejor manera de eliminar bucles a tierra es aislar el instrumento de la tierra, para ello es preciso *no* conectar a tierra las terminales de entrada. Si el instrumento debe tener referencia a tierra, conéctelo junto con el dispositivo en prueba al mismo punto de conexión a tierra común. También conecte el instrumento y el dispositivo de prueba a la misma toma de corriente eléctrica siempre que sea posible.

## Consideración de la velocidad de medición

Hay dos métodos para integrar los datos muestreados que se obtienen en la medición, lento/medio (NPLC) y rápido (Apertura).

Cuando se establece la resolución a lento o medio, no solo se logra una mayor precisión asociada con un promedio de tiempo, sino que también se logra el rechazo de la interferencia de la línea de alimentación (rechazo de modo normal, o NMR).

Apertura es el período, que se mide en segundos, durante el cual el convertidor analógico a digital (A/D) del instrumento recoge muestras de la señal de entrada para realizar una medición. Una apertura más amplia proporciona una mejor resolución; una apertura menor proporciona mediciones más rápidas. Por ejemplo, el modo rápido para las mediciones de tensión CC establece un período de medición específico de 1 ms y no se basa en la frecuencia de la línea de alimentación. No se proporciona rechazo de modo normal en el modo de apertura.

## Consideraciones sobre la medición secundaria

El modo de medición secundario permite a los usuarios realizar dos mediciones en una pantalla. Durante el modo de medición secundario, la pantalla mostrará dos mediciones separadas y hay un retardo de conmutación entre ambas mediciones.

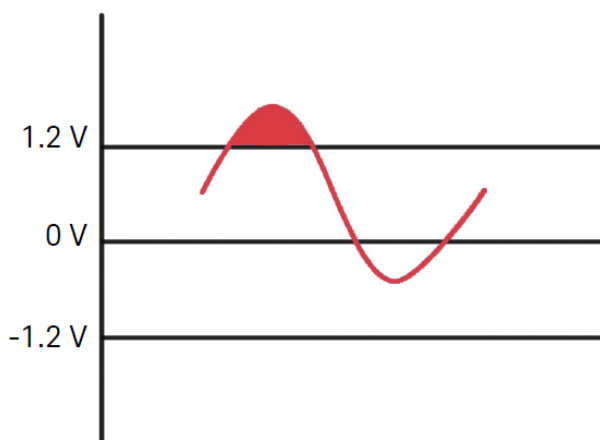
La siguiente tabla muestra algunas de las aplicaciones que se pueden medir utilizando el modo de medición secundario:

Combinaciones de funciones secundario	Aplicación
VCD y VCA	Mide la señal de CA con compensación de CC de una salida de amplificador. Mide ruido de ondulación CA y tensión de salida CC de una fuente de alimentación
VCD y CCI	Mide tensión de CC y corriente de CC en un circuito eléctrico
VCD y CAI	Aplicación del inversor
VCA y CCI	Aplicación del inversor
VCA y CAI	Mide la señal principal y secundaria de un circuito de transformador
VCA/CAI y Frec.	Mide frecuencia de la tensión de línea

### Rango dinámico de tensión de CC en medición secundaria

Al medir CC y CA en modo de medición dual, asegúrese de que los componentes de CC + CA no excedan el rango dinámico ADC del instrumento. El instrumento tiene un rango dinámico de  $\pm 1.2$  V o 120 % de escala completa para cada rango de CCV.

Por ejemplo, la compensación CC de la señal como se muestra en la figura a continuación hace que la entrada exceda el límite superior del rango dinámico del ADC. Esto puede provocar errores en la medición del componente CC.



Considere la posibilidad de un componente de CA de señal de 1 Vrms con una compensación de CC de 100 mV. Cuando se mide en el rango de CCV 1 V, el Vpico de la señal es 1.514 V que excede el rango dinámico del ADC de 1.2 V, provocando un error en la medición de CC.

Seleccione un rango superior de CCV que el rango 10 V para mayor precisión.

El mismo error de medición se aplica al modo dual CCV y a causa de la tensión de carga de la serie del instrumento.

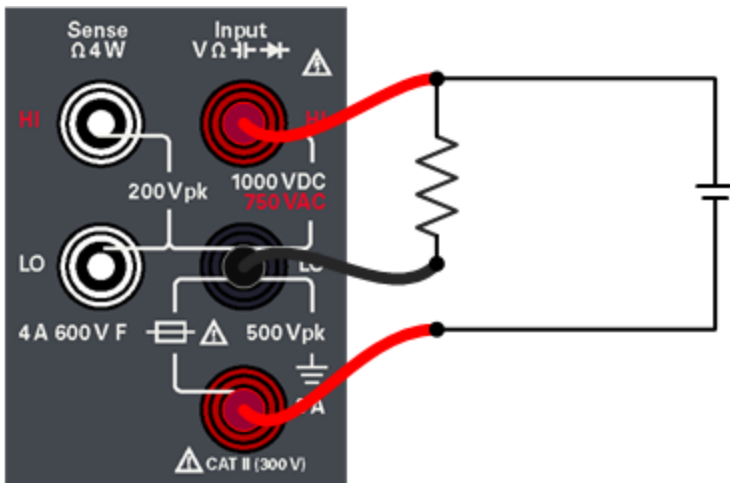


## Tensión y corriente en medición dual

Al medir tensión y corriente CC en modo de medición dual, tenga en cuenta la resistencia del cable de prueba y los circuitos de medición internos. El instrumento comparte la misma puesta a tierra tanto en la medición de tensión CC y corriente CC. Cuando una corriente fluye a través del terminal LO, se produce una caída de tensión en el circuito y afectará la precisión de la lectura de tensión.

Teniendo en cuenta la resistencia interna y externa la resistencia de cable total es 0.0125 ohmios. Si aplica una corriente CC de 1 A, se producirá un error de  $(0.0125 \Omega \times 1 \text{ A})$  0.0125 V o 12.5 mV. Este error será relativo según el rango con un rango dinámico del ADC de 1.2 V.

En la siguiente figura, se muestra un ejemplo de medición de tensión y corriente en el modo de medición secundaria.



El error en la medición será significativo cuando se aplica una corriente superior.

## Consideraciones de las mediciones de resistencia

Al medir resistencia, la corriente de prueba fluye desde la terminal de entrada HI a través de la resistencia que se está midiendo. La caída de tensión a través de la resistencia que se está midiendo se detecta internamente en el instrumento. Por lo tanto, también se mide la resistencia del cable de prueba.

*El error mencionado anteriormente es este capítulo para las mediciones de tensión en CC también se aplican a las mediciones de resistencia. Acá se discuten fuentes adicionales de error únicamente para las mediciones de resistencia.*

## Eliminación de errores de resistencia del cable de prueba

Para eliminar errores de compensación asociados con la resistencia del cable de prueba, consulte **Null** (Nulo).

## Reducción de los efectos de disipación de alimentación

Al medir resistencias diseñadas para mediciones de temperatura (u otros dispositivos de resistencia con grandes coeficientes de temperatura), sepa que el instrumento disipará parte de la alimentación en el dispositivo en prueba

(DUT).

Si la disipación de la alimentación es un problema, debe seleccionar el rango de medición próximo más alto del instrumento a fin de reducir los errores a niveles aceptables. La siguiente tabla muestra varios ejemplos:

Rango	Corriente de prueba	Alimentación del DUT a escala completa
100 $\Omega$	1 mA	100 $\mu$ W
1 k $\Omega$	0.5 mA	250 $\mu$ W
10 k $\Omega$	100 $\mu$ A	100 $\mu$ W
100 k $\Omega$	10 $\mu$ A	10 $\mu$ W
1 M $\Omega$	1 $\mu$ A	1 $\mu$ W
10 M $\Omega$	100 nA	100 nW
100 M $\Omega$	100 nA/10 M $\Omega$	1 $\mu$ W

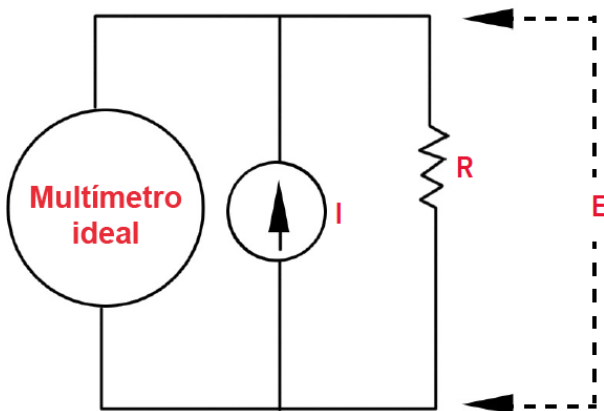
### Errores en mediciones de resistencia alta

Cuando mide grandes resistencias, es posible que ocurran errores importantes debido a la resistencia de aislación y la limpieza de la superficie. Debe tomar las medidas necesarias para mantener “limpio” el sistema de alta resistencia. Los cables y aparatos de prueba son susceptibles a la fuga de energía debido a la absorción de humedad en los materiales aislantes y la película de “suciedad” en la superficie. El nailon y el PVC son aislantes de baja calidad ( $10^9 \Omega$ ) si se los compara con aislantes de PTFE ( $10^{13} \Omega$ ).

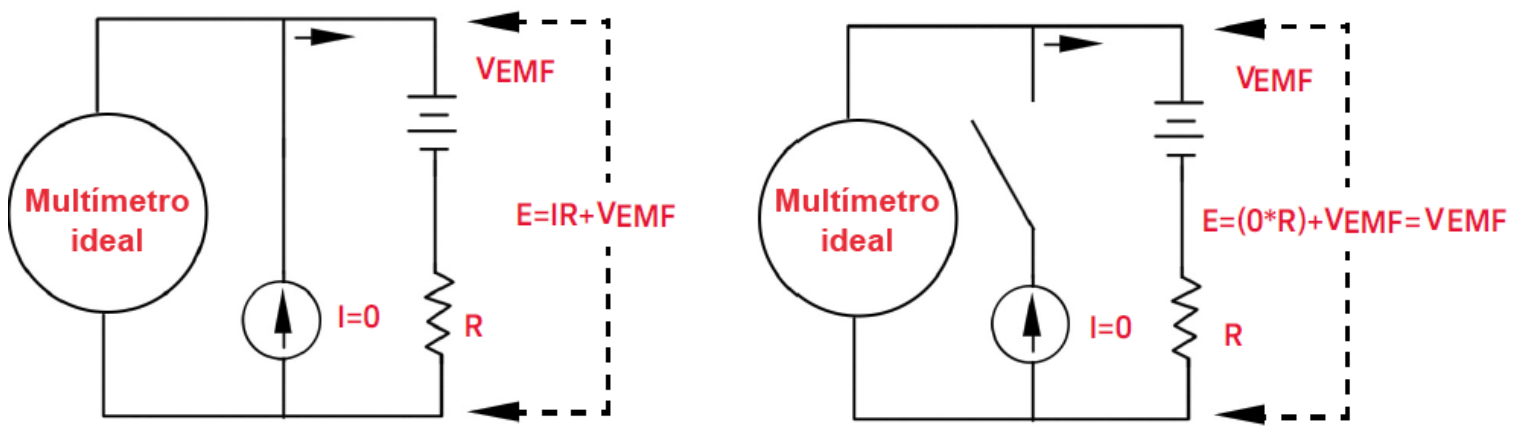
Las fugas de los aislantes de nailon o PVC fácilmente pueden agregar un error del 0,1 % cuando se mide una resistencia de 1 M $\Omega$  en condiciones de humedad.

### Compensación

Una medición de resistencia supone la medición de una tensión (E) inducida en la resistencia por una fuente de corriente conocida.



La EMF térmica causada por metales diferentes puede crear una tensión parasitaria en el circuito de medición (EMF). La EMF térmica puede causarse por las conexiones de cables de entrada o de manera interna en la resistencia R. En general, esta tensión no cambia con la corriente aplicada a la resistencia.



La tensión medida, y por ende la resistencia calculada, son erróneos debido a  $V_{EMF}$ . El uso de la compensación puede reducir los errores causados por  $V_{EMF}$ . Para hacer una medición con compensación, el multímetro hace dos mediciones de tensión, una con la fuente de corriente activada y otra con la fuente desactivada, y luego hace una resta. La caída de tensión real en la resistencia y la resistencia calculada se obtienen así:

$$\text{Primera Lectura} - \text{Segunda Lectura} = (I * R + V_{EMF}) - V_{EMF} = I * R$$

La compensación puede utilizarse en mediciones de ohmios de 2 o 4 hilos (solo disponible en 100  $\Omega$ , 1 k $\Omega$  y 10 k $\Omega$ ).

## Mediciones de RMS verdadero en CA

Los RMS verdadero que responden al multímetro, como el EDU34450A, miden el "calentamiento" potencial de una tensión aplicada. La potencia disipada en una resistencia es proporcional a la raíz cuadrada de una tensión aplicada, independiente de la forma de onda de la señal. Este instrumento mide de manera precisa los valores RMS verdadero de tensión o corriente, siempre y cuando la forma de la onda contenga energía insignificante sobre el ancho de banda efectivo del instrumento. Tenga en cuenta que el instrumento utiliza las mismas técnicas para medir valores RMS verdadero de tensión y corriente.

Formas de las formas de onda	Factor de cresta	RMS CA	RMS CA+CC
	$\sqrt{2}$	$\frac{V}{\sqrt{2}}$	$\frac{V}{\sqrt{2}}$
	$\sqrt{3}$	$\frac{V}{\sqrt{3}}$	$\frac{V}{\sqrt{3}}$
	$\sqrt{\frac{T}{t_p}}$	$\frac{V}{CF} \times \sqrt{1 - \frac{1}{CF^2}}$	$\frac{V}{CF}$
	1	V	V

Las funciones de tensión CA y corriente CA del instrumento miden el valor RMS verdadero acoplado de CA. En este instrumento de Keysight, solo se mide el "valor de calentamiento" de los componentes de CA de la forma de onda de entrada (CC es rechazado). Como se ve en la figura arriba, para las ondas sinusoides, triangulares y cuadradas, los valores acoplados a CA y CA+CC son iguales, ya que dichas formas de onda no contienen compensación CC. Sin embargo, para las formas de onda no simétricas, como ser los trenes de pulso, hay un contenido de tensión en CC, el cual es rechazado por las mediciones RMS verdadero acopladas a CA de Keysight. Esto puede acarrear un beneficio significativo.

Se espera una medición de valores RMS verdadero acoplados de CA cuando se miden señales de CA pequeñas en presencia de grandes compensaciones de CC. Por ejemplo, esta situación es común al medir ondulación de CA presente en fuentes de alimentación de CC. Hay situaciones, sin embargo, en donde es posible que desee conocer los valores RMS reales de CA+CC. Puede determinar este valor al combinar resultados de mediciones CC y CA, tal como se muestra a continuación:

$$ac + dc = \sqrt{ac^2 + dc^2}$$

Para obtener un rechazo de ruido CA óptimo, debe realizar mediciones CC en modo s.

## Contenido de la señal de frecuencia alta y precisión RMS verdadero

Una mala interpretación común es que "debido a que un multímetro CA es un dispositivo RMS verdadero, las especificaciones de precisión de su onda sinusoidal se aplican a todas las formas de onda". En realidad, la forma de la señal de entrada puede afectar en gran medida la precisión de la medición, para cualquier multímetro, especialmente cuando esa señal de entrada contiene componentes de alta frecuencia que exceden el ancho de banda del instrumento. El error en las mediciones RMS surge cuando hay energía de la señal de entrada importante en las frecuencias superiores al ancho de banda del instrumento.

## Cómo estimar el error de frecuencia alta (fuera de banda)

Una forma común para describir la señal de formas de onda es referirse a su "Factor de cresta." El factor de cresta es el cociente entre el valor máximo para el valor RMS de una forma de onda. Por ejemplo, para un tren de pulsos, el factor de cresta es aproximadamente igual a la raíz cuadrada del inverso del ciclo de trabajo.

$$CF = \frac{1}{\sqrt{d}} = \frac{1}{\sqrt{\frac{t_p}{T}}} = \frac{1}{\sqrt{prf \times t_p}}$$

Tenga en cuenta que ese factor de cresta es un parámetro compuesto, y depende de la frecuencia de repetición y ancho de pulso; el factor de cresta por sí solo no es suficiente para caracterizar el contenido de frecuencia de una señal.

Tradicionalmente, los multímetros digitales incluyen una tabla de reducción de factor de cresta que se aplica en todas las frecuencias. El algoritmo de medición utilizado en el EDU34450A no es inherentemente sensible al factor de cresta, así que no hay necesidad de tal reducción. Con este instrumento, como se describe en la sección anterior, el tema focal es el contenido de la señal de alta frecuencia que supera el ancho de banda del instrumento.



Para señales periódicas, la combinación de la tasa de repetición y el factor de cresta puede sugerir la cantidad de contenido de alta frecuencia y el error de medición asociado. El primer cruce de cero de un pulso simple se produce en

$$f_1 = \frac{1}{t_p}$$

Esto da una impresión inmediata de los contenidos de alta frecuencia al identificar donde se produce este cruce en función del factor de cresta:

$$f_1 = CF^2 \cdot prf$$

En la siguiente tabla se muestran los errores típicos para diferentes formas de onda de pulso en función de la frecuencia de pulso de entrada:

prf	Error típico para los trenes de pulso, onda cuadrada, onda triangular de CF = 3, 5 o 10				
	Onda cuadrada	Onda triangular	CF = 3	CF = 5	CF = 10
200	-0.02%	0.00%	-0.04%	-0.09%	-0.34%
1000	-0.07%	0.00%	-0.18%	-0.44%	-1.71%
2000	-0.14%	0.00%	-0.34%	-0.88%	-3.52%
5000	-0.34%	0.00%	-0.84%	-2.29%	-8.34%
10000	-0.68%	0.00%	-1.75%	-4.94%	-26.00%
20000	-1.28%	0.00%	-3.07%	-8.20%	-45.70%
50000	-3.41%	-0.04%	-6.75%	-32.2%	-65.30%
100 000	-5.10%	-0.12%	-21.8%	-50.6%	-75.40%

La tabla anterior proporciona un error adicional para cada forma de onda, que se agrega al valor de la tabla de precisión en la *hoja de datos de Keysight EDU34450A*.

Ejemplo: Un tren de pulsos con nivel 1 Vrms, se mide en el rango de 1 V. Tiene alturas de pulso de 3 V (es decir, un Factor de cresta de 3) y duración de 111 μs. La prf puede calcularse a 1000 Hz, de la siguiente manera:

$$prf = \frac{1}{CF^2 \times t_p}$$

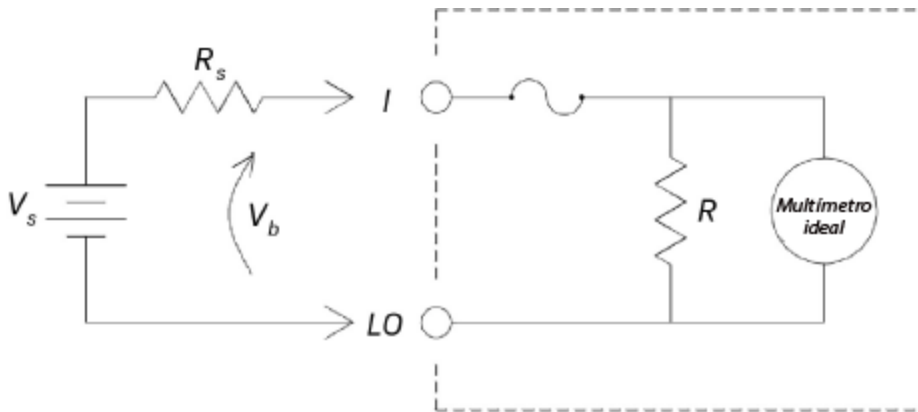
Así, en la tabla anterior, esta forma de onda de CA puede medirse con error adicional de 0.18 por ciento.

## Filtro de CA

Las funciones de tensión CA y corriente CA del instrumento implementan tres filtros de peine de frecuencias bajas. Estos filtros le permiten compensar la frecuencia de medición mínima para obtener velocidad de lectura más rápida. El filtro en modo "LENTO" corta a 2 Hz y es útil para frecuencias por encima de 20 Hz. El filtro "MEDIUM" corta a 20 Hz y es útil para frecuencias superiores a 200 Hz. El filtro "FAST" corta a 200 Hz y es útil para frecuencias superiores a 1 kHz.

## Mediciones de corriente CC

Cuando conecta el instrumento en serie con un circuito de prueba para medir corriente, se introduce un error de medición. El error lo causa la tensión de carga en serie del instrumento. Se desarrolla una tensión en la resistencia del cableado y la resistencia de corriente derivada del instrumento, tal como se muestra a continuación.



$V_s$  = Tensión fuente

$R_s$  = Resistencia fuente del DUT

$V_b$  = Tensión de carga del multímetro

$R$  = Corriente derivada del multímetro

$$\text{Error (\%)} = \frac{-100\% \times V_b}{V_s}$$

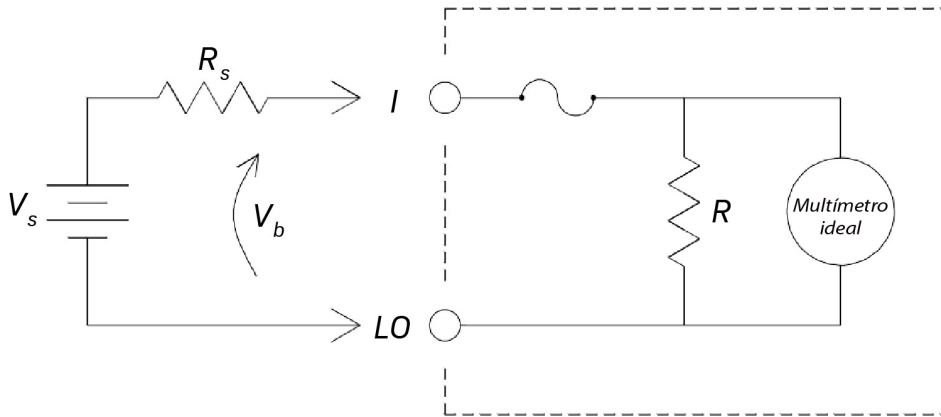
## Otras funciones principales de medición

### Errores de medición de frecuencia

El instrumento utiliza una técnica de conteo recíproco para medir la frecuencia. Este método genera una resolución de medición constante para cualquier señal de entrada. Todos los contadores de frecuencia son propensos a error al medir las señales de frecuencia y tensión bajas. Los efectos, tanto de la entrada de ruido interno como externo, son crítico al medir señales "lentas". El error es inversamente proporcional a la frecuencia. También se producen errores de medición si se intenta medir la frecuencia de entrada tras un cambio de tensión de compensación de CC. Debe permitir la entrada del instrumento para resolver errores completamente antes de realizar mediciones de frecuencia.

## Mediciones de Corriente CC

Cuando conecta el instrumento en serie con un circuito de prueba para medir corriente, se introduce un error de medición. El error lo causa la tensión de carga en serie del instrumento. Se desarrolla una tensión en la resistencia del cableado y la resistencia de corriente derivada del instrumento, tal como se muestra a continuación.



$V_s$  = Tensión fuente

$R_s$  = Resistencia fuente del DUT

$V_b$  = Tensión de carga del multímetro

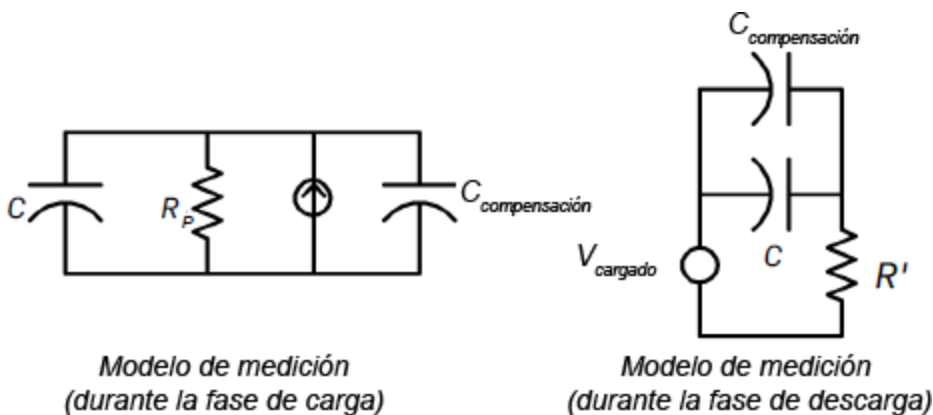
$R$  = Corriente derivada del multímetro

$$\text{Error (\%)} = \frac{-100\% \times V_b}{V_s}$$

Si se aplica más de 1 A durante la medición de corriente, se experimenta calentamiento espontáneo en la resistencia de derivación 3 A y el componente interno de acondicionamiento de señal del registro del instrumento. Permita unos pocos minutos de estabilización para obtener mayor precisión para medición de corriente. Después de aplicar una medición de corriente de más de 1 A, espere unos minutos para que se disipe el calor con el fin de asegurar una mejor precisión para la próxima medición.

## Medición de capacitancia

El instrumento implementa mediciones de capacitancia aplicando una corriente conocida al condensador, como se muestra a continuación:



La capacitancia se calcula al medir el cambio en la tensión ( $\Delta V$ ) que se produce en un tiempo de "apertura corta", ( $\Delta t$ ). El ciclo de medición consta de dos partes: una fase de carga y una fase de descarga.

El cambio de tensión ( $\Delta V$ ) y el tiempo de "apertura corta" ( $\Delta t$ ), varían según el rango, con el fin de minimizar el ruido y aumentar la precisión de la lectura. La tabla siguiente muestra la velocidad de lectura y la fuente de corriente a escala completa durante la medición.

Rango	Fuente de corriente	Velocidad de lectura a escala completa
1 nF	100 nA	1.0 / segundo
10 nF	100 nA	0.5 / segundo
100 nF	1 $\mu$ A	1.5/ segundo
1 $\mu$ F	1 $\mu$ A	0.25/ segundo
10 $\mu$ F	10 $\mu$ A	0.25/ segundo
100 $\mu$ F	100 $\mu$ A	0.25/ segundo
1 mF	500 $\mu$ A	0.25/ segundo
10 mF	1 mA	0.15/ segundo

Los valores de capacitancia y pérdida de resistencia medidos con el instrumento pueden diferir de los valores medidos con un multímetro LCR. Esto es de esperarse, ya que es básicamente un método de medición de CC, mientras que la medición LCR utiliza frecuencias aplicadas de 100 Hz a 100 kHz. En la mayoría de los casos, ningún método mide el condensador en su frecuencia de aplicación exacta.

Para mayor precisión, realice una medición nula a cero con sondas abiertas, para anular la capacitancia del cable de prueba, antes de conectar las sondas a través del capacitor a medir.

## Mediciones de temperatura

El instrumento mide temperatura mediante la medición de la resistencia sensible a temperatura de la resistencia térmica de 5 k $\Omega$ .

Las resistencias térmicas están formadas por materiales semiconductores y proporcionan aproximadamente 10 veces la sensibilidad de un RTD. Al ser semiconductores, su rango de temperatura es más limitado, comúnmente en  $-80$  °C a 150 °C. Las resistencias térmicas tienen relaciones de resistencia - temperatura altamente no lineales; por lo tanto, sus algoritmos de conversión son más complejos. Los instrumentos de Keysight utilizan el estándar de aproximación de Hart-Steinhart para proporcionar conversiones precisas.

## Otras fuentes de errores de medición

### Errores de carga (voltios de CA)

En la función de tensión alterna, la entrada del instrumento aparece como una resistencia (como mínimo) 1.1 M $\Omega$  en paralelo con <100 pF de capacidad. Los cables que utiliza para conectar señales al instrumento también agregan capacitancia y carga.

Para frecuencias bajas, el error de carga es:

$$\text{Error (\%)} = \frac{-100 \times R_s}{R_s + 1.1 \text{ M}\Omega}$$

Para frecuencias altas, el error de carga adicional es:

$$\text{Error (\%)} = 100 \times \left[ \frac{1}{\sqrt{1 + (2\pi \times F \times R_s \times C_{in})^2}} - 1 \right]$$

$R_s$  = Source Resistance

$F$  = Input Frequency

$C_{in}$  = Input Capacitance (100 pF) Plus Cable Capacitance

### Mediciones por debajo de la escala completa

Puede realizar las mediciones CA más precisas cuando el instrumento se encuentra en o cerca de la escala completa del rango seleccionado. El rango automático se produce al 10% (rango bajo) y 120% (rango alto) de la escala completa. Esto le permite medir algunas entradas en escala completa en un rango y el 10% de la escala completa en el próximo rango más alto. En general, la precisión es mejor en el rango bajo. Para obtener la mejor precisión seleccione el rango manual más bajo posible para la medición.

### Errores de auto calentamiento de tensión alta

Si aplica más de 300 Vrms, se produce un auto calentamiento en los componentes de acondicionamiento de señal internos del instrumento. Estos errores se incluyen en las especificaciones del instrumento.

La temperatura cambia dentro del instrumento debido a que el auto calentamiento puede provocar un error adicional en otros rangos de tensión en CA.

### Errores en las mediciones de corriente en CA (tensión de carga)

Los errores de tensión de carga, que se aplican a la corriente en CC, también pueden aplicarse a las mediciones de corriente en CA. Sin embargo, la tensión de carga para la corriente en CA es superior debido a la inductancia de las series del instrumento y sus conexiones de medición. La tensión de carga aumenta a medida que la frecuencia de entrada aumenta. Algunos circuitos pueden oscilar cuando realizan mediciones de corriente debido a la inductancia de las series del instrumento y sus conexiones de medición.

### Errores de medición de nivel bajo

Al medir tensiones de CA inferiores a 100 mV, tome en cuenta que dichas mediciones son especialmente susceptibles a errores introducidos por fuentes de ruidos extrañas. Un cable de prueba expuesto actúa como una antena y un multímetro que funciona correctamente medirá las señales recibidas. La ruta de medición completa, incluyendo la entrada de alimentación, actúa como una antena de bucle. Las corrientes circulantes en el bucle crearán tensiones de error en cualquier impedancia en serie con la entrada del instrumento. Por este motivo, debe aplicar tensiones de CA de bajo nivel al instrumento a través de cables blindados. Debe conectar la protección al terminal de entrada LO.

Asegúrese de que el instrumento y la fuente de CA estén conectados a la misma toma eléctrica de ser posible. También debe reducir el área de cualquier bucle de tierra que no pueda evitar. Una fuente de impedancia alta es más

susceptible a recibir ruido que una fuente de impedancia baja. Puede reducir la impedancia de alta frecuencia de una fuente si coloca un capacitor en paralelo con los terminales de entrada del instrumento. Quizá deba experimentar para determinar el valor del capacitor correcto para su aplicación.

El ruido más extraño no se correlaciona con la señal de entrada. Puede determinar el error como se muestra a continuación:

$$\text{Voltage Measured} = \sqrt{V_{in}^2 + \text{Noise}^2}$$

El ruido correlacionado, aunque no es común, es especialmente perjudicial. El ruido correlacionado siempre se agrega directamente a la señal de entrada. Medir una señal de nivel bajo con la misma frecuencia que la entrada de alimentación local es una situación común que puede producir este error.

### Error de medición de pulso

Puede usar la función de medición CC para medir una señal de pulso y obtener los valores de medición promedio relevantes de manera rápida. A continuación, se proporciona la fórmula del promedio CC equivalente de una señal de pulso.

$$\frac{1}{T} \int_T f(x) dx$$

donde  $f(x)$  es la función que representa la forma de onda de la señal en un período de  $T$ .

Cuando la señal de pulso se mide en el rango de baja tensión debido a la saturación de tensión del carril del instrumento analógico a digital (ADC) pueden producirse errores.



Esta información está sujeta a cambios sin previo aviso.

© Keysight Technologies 2021, 2022

Edición 3, noviembre de 2022

Impreso en Malasia



EDU34450-90006

[www.keysight.com](http://www.keysight.com)