

Home / Electromechanical / Motors / DC Gearhead

## 12VDC Plastic Reversible Gear Head Motor



**Jameco Part no.:** 161382

**Manufacturer:** Jameco ReliaPro

**Manufacturer no.:** HN-GH12-1634T-R

**HTS code:** 8501104040

**Data Sheet (current)** [1.7 MB ]

Web Exclusive

**Overview**

**Specs**

**Related**

## 12VDC Plastic Reversible Gear Head Motor

*GH35GM Series*

### Features:

- Rated voltage: 12VDC
- Operating range: 4.5 to 12VDC
- Current @ maximum efficiency: 0.386A
- Speed @ maximum efficiency: 160RPM
- Torque @ maximum efficiency: 850 g-cm
- Gear ratio: 30:1
- Gear case size: 1.4" diameter x 0.6" length
- Motor size: 1.3" diameter x 1.0" length
- Shaft size: 0.23" diameter x 0.7" length
- Solder-type terminals
- Dielectric strength: 300VDC
- Insulation resistance: 10M $\Omega$
- Oil bearing design for long service life
- Screw Mount Dimensions: M3

**Report a problem**

**Suggest a product**

Jameco Electronics  
1355 Shoreway Road  
Belmont, CA 94002

### **CUSTOMER CARE**

1-800-831-4242

Overview

Specs

Related

Specification	Value
Voltage Rating	12 VDC
Motor Speed @ Max. Efficiency (RPM)	145
Current @ Max. Efficiency (mA)	293
Torque @ Max. Efficiency (g-cm)	850
Gear Ratio	30:1
Gear Case Size (Diameter x Length) (inch)	1.40 x 0.70
Motor Size (Diameter x Length) (inch)	1.3 x 1.0
Shaft Diameter	0.23 in.
Shaft Length	0.9 in.
Input Voltage Range	4.5 VDC to 12 VDC
Terminal Type	Solderable
Additional Feature	Plastic Gears
Shaft Style	D

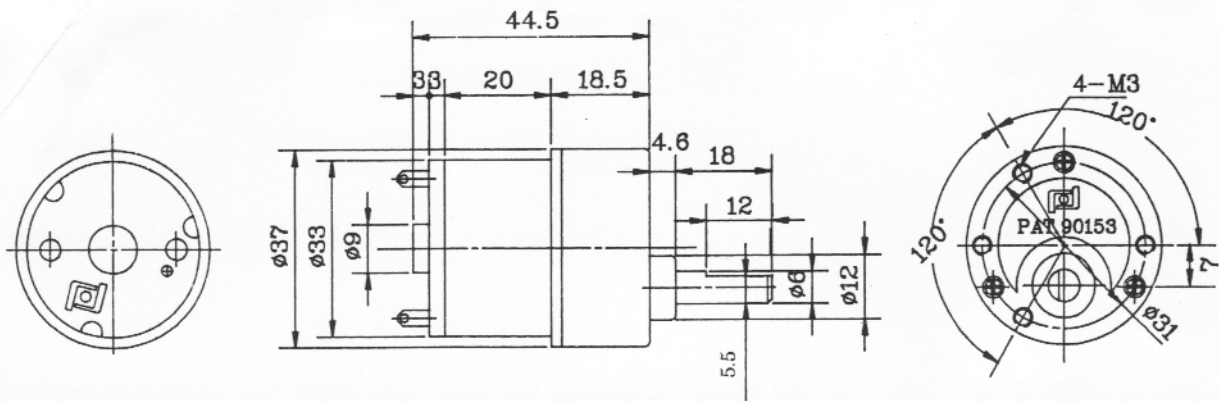
Jameco Electronics  
1355 Shoreway Road  
Belmont, CA 94002

## SPECIFICATION SHEET

DATE: SEP.26,2008  
NO.: HN08092601  
PAGE: 1/3

CUSTOMER NAME: GOLDSUN ELECTRONICS CO., LTD.  
TYPE: HN-GH35GMB TYPE  
MODEL: HN-GH12-1634T-R  
CUSTOMER PART NO.: 161382

### I. OUTER DIMENSIONS :



MATERIAL		<b>GOLDSUN ELECTRONICS CO., LTD.</b>			
		JAMECO NO. 161382		GOLDSUN NO. HN-GH12-1634T-R	
DRAWN: Colin Hung		Description MOTOR GEAR 200RPM 30:1 TYPE:HN-GH35GMB HN-GH12-1634T			Rev. 1
VERIFY PEOPLE: Annie		UNIT: mm	SCALE:	SHEET 1 OF 1	CAS No: ERN No:

## SPECIFICATION SHEET

DATE: SEP.26,2008  
NO.: HN08092601  
PAGE: 2/3

CUSTOMER NAME: GOLDSUN ELECTRONICS CO., LTD.  
TYPE: HN-GH35GMB TYPE  
MODEL: HN-GH12-1634T-R  
CUSTOMER PART NO.: 161382

### II. SPECIFICATIONS :

1. TESTING CONDITIONS:  
ENVIRONMENT TEMPERATURE: 25 DEGREES CELSIUS.  
RELATED HUMIDITY: 60%.  
TESTING POSITION: THE GEARMOTOR LIES IN HORIZONTAL POSITION.
2. RATED VOLTAGE(POWER SUPPLY): DC12V.  
THE POWER SUPPLY MUST BE PURE DC(DIRECT CURRENT) AND CAN NOT CARRY ANY AC(ALTERNATING CURRENT).
3. GEAR RATIO: 30:1.
4. RATED LOAD AT DC12V : 850g-cm.  
DON'T EXCEED RATED LOAD. OVERLOADING CAN CAUSE DAMAGE TO GEARMOTOR.
5. NO LOAD SPEED AT DC12V: 200RPM+/-10%.
6. SPEED AT DC12V & RATED LOAD(850g-cm): 160RPM+/-10%.
7. NO LOAD CURRENT AT DC12V: LOWER THAN 66mA.
8. CURRENT AT DC12V & RATED LOAD(850g-cm): LOWER THAN 306mA.
9. SHAFT END PLAY: MAXIMUM 0.8m/m.
10. INSULATION RESISTANCE: 10M ohm AT DC300V.
11. WITHSTAND VOLTAGE: DC300V FOR ONE SECOND.
12. THE GEARMOTOR IS NOT INTENDED FOR INSTANT REVERSE. BE SURE THE GEARMOTOR IS STOPPED BEFORE REVERSING.
13. THE GEARMOTOR DOESN'T HAVE ANY PROTECTIVE MEASURES LIKE WATER-PROOF, DUST- PROOF, ETC..... PLEASE USE IT IN THE NORMAL ENVIRONMENT AND TEMPERATURE.
14. IF YOU HAVE ANY QUESTIONS ABOUT THE SPECIFICATIONS AND DIMENSIONS, KINDLY PLEASE FEEL FREE TO CONTACT US.

MATERIAL		<b>GOLDSUN ELECTRONICS CO., LTD.</b>		
		JAMECO NO. 161382	GOLDSUN NO. HN-GH12-1634T-R	
DRAWN: Colin Hung		Description MOTOR GEAR 200RPM 30:1 TYPE:HN-GH35GMB HN-GH12-1634T		Rev. 1
VERIFY PEOPLE: Annie		UNIT: mm	SCALE:	SHEET 1 OF 1
				CAS No: ERN No:

## SPECIFICATION SHEET

DATE: SEP.26,2008  
NO.: HN08092601  
PAGE: 3/3

CUSTOMER NAME: GOLDSUN ELECTRONICS CO., LTD.  
TYPE: HN-GH35GMB TYPE  
MODEL: HN-GH12-1634T-R  
CUSTOMER PART NO.: 161382

### III. GUARANTEE :

A period of six months from the shipping date shall be provided by us as the guarantee. But our company shall not be liable for any failures which is resulted upon reaching 300 hours of services life or due to improper application, maintenance, installation, man-made negligence and natural disaster.

All our products are made according to the specifications we offered you. Should a problem occur, then the specifications shall be based and no objections shall be held by you. In case if the delivered DC gearmotors are in contradictory with the specifications within the guarantee period, in absence of proviso stated in the aforesaid provision, then our company will accept repair or replacement in our factory and or refund. However, our company shall not be liable for any additional responsibilities.

MATERIAL		<b>GOLDSUN ELECTRONICS CO., LTD.</b>		
		JAMECO NO. 161382	GOLDSUN NO. HN-GH12-1634T-R	
DRAWN: Colin Hung		Description MOTOR GEAR 200RPM 30:1 TYPE:HN-GH35GMB HN-GH12-1634T	Rev. 1	
VERIFY PEOPLE: Annie			UNIT: mm	SCALE:
		CAS No:		ERN No: