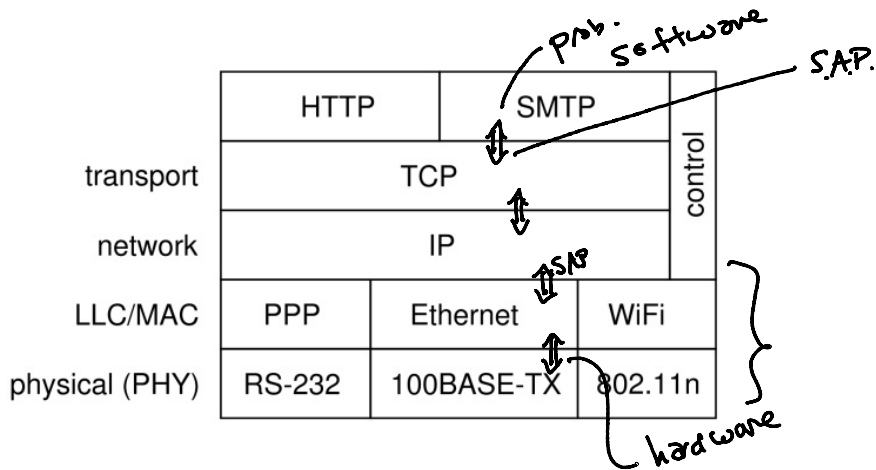


Network Protocols

Exercise 1: Mark the location of these SAPs on the protocol stack diagram.



Exercise 2: What might be some drawbacks of relying on higher-level protocols for error detection and retransmission?

- drawbacks of retransmissions at higher layers:
 - more overhead
 - delay

Exercise 3: What part of a packet does an IP router examine?

- IP router examines IP header for routing (doesn't look at payload).

Exercise 4: Label the PDUs and SDUs in the diagram above.

