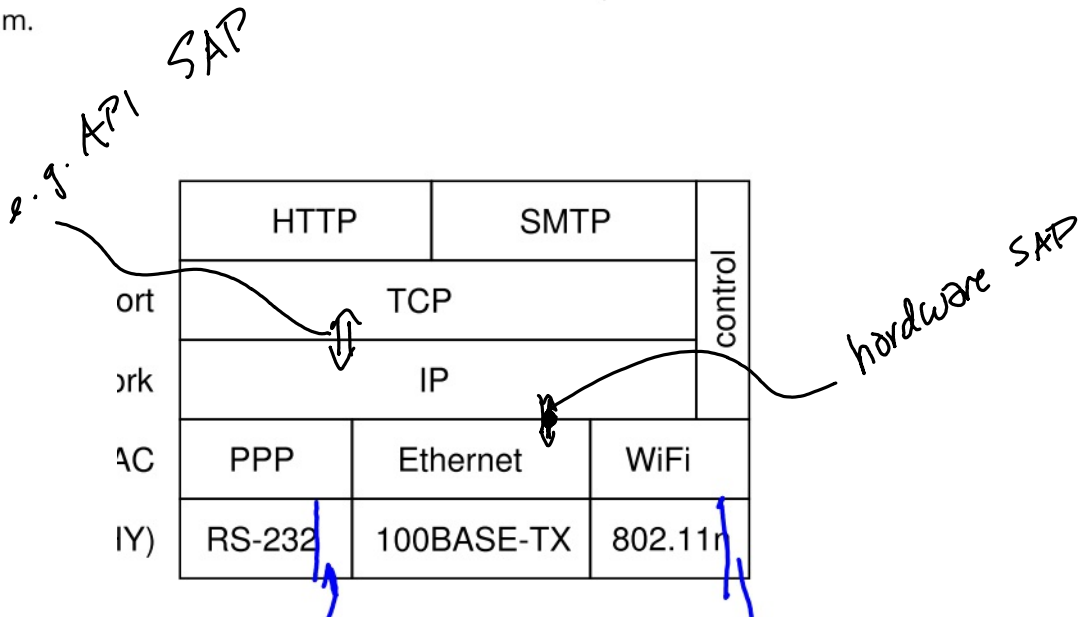


Network Protocols

Exercise 1: Mark the location of these SAPs on the protocol stack diagram.



Exercise 2: What might be some drawbacks of relying on higher-level protocols for error detection and retransmission?

- delay is higher if handled at higher layers
- increases load on network

Exercise 3: What part of a packet does an IP router examine?

- only examines the IP header.

Exercise 4: Label the PDUs and SDUs in the diagram above.

