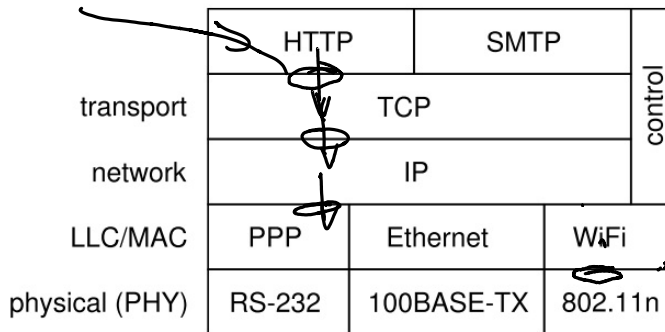


Network Protocols

Exercise 1: Mark the location of these SAPs on the protocol stack diagram.

send a frame SAP



- send a frame
- carrier detected

SAP carrier detect

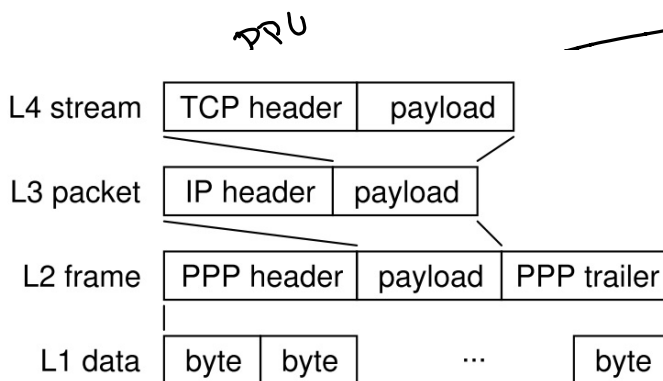
Exercise 2: What might be some drawbacks of relying on higher-level protocols for error detection and retransmission?

- reduce delay
- reduce resources (buffer space).

Exercise 3: What part of a packet does an IP router examine?

IP header.

Exercise 4: Label the PDUs and SDUs in the diagram above.



SDU

PDU = packet or frame