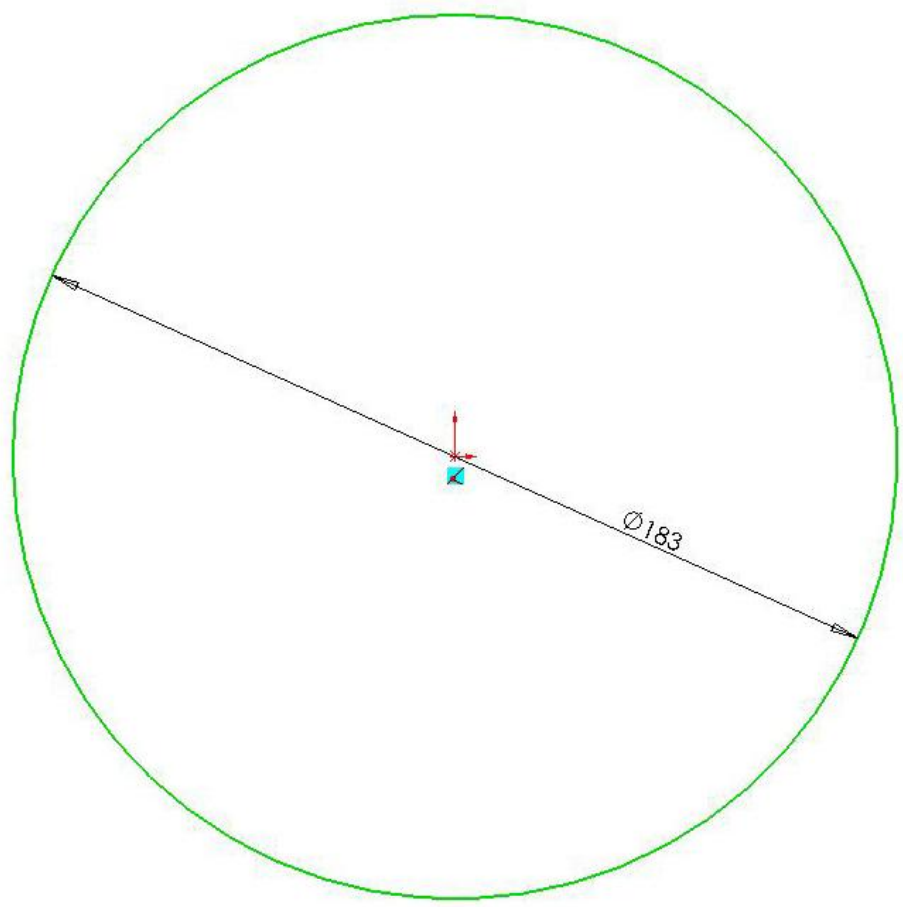


Sketch1 of Sprocket.SLDPRT \*

- Sprocket
  - Annotations
  - Design Binder
  - Solid Bodies(1)
  - Material <not specified>
  - Lighting
  - Front
  - Top
  - Right
  - Origin
  - Axis1
  - Extrude1
  - Sketch1
  - Cut-Extrude1
  - Cut-Extrude3
  - Cut-Extrude4
  - CirPattern2
  - Cut-Extrude2
  - Fillet1
  - Chamfer1
  - Cut-Extrude5
  - CirPattern3



Extrude1

From

Direction 1

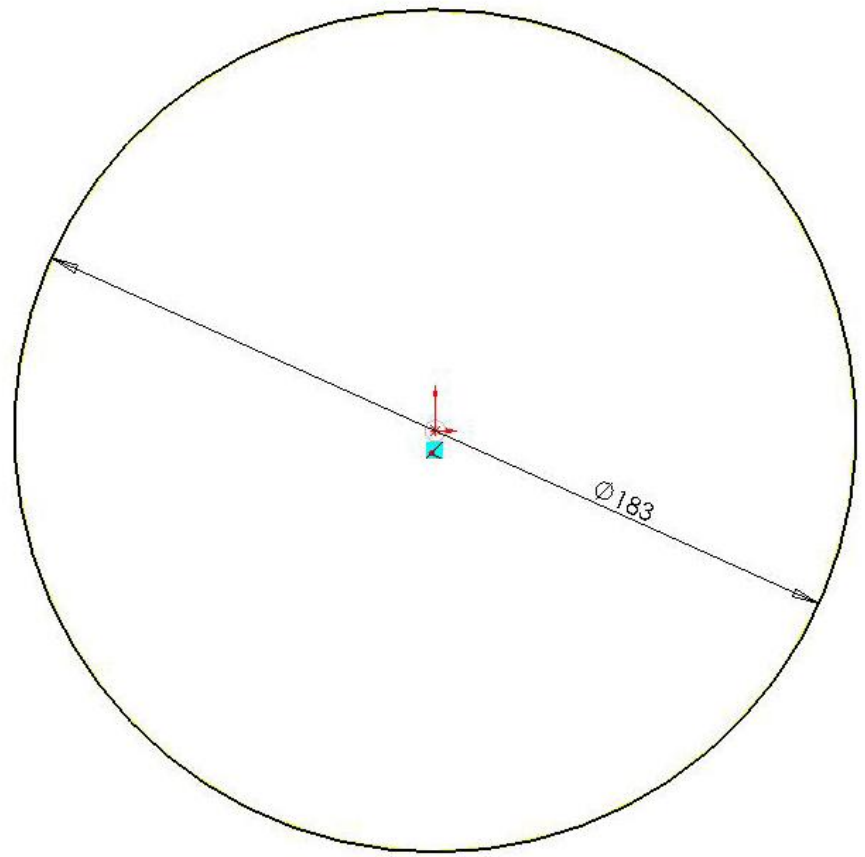
Blind

3.00mm

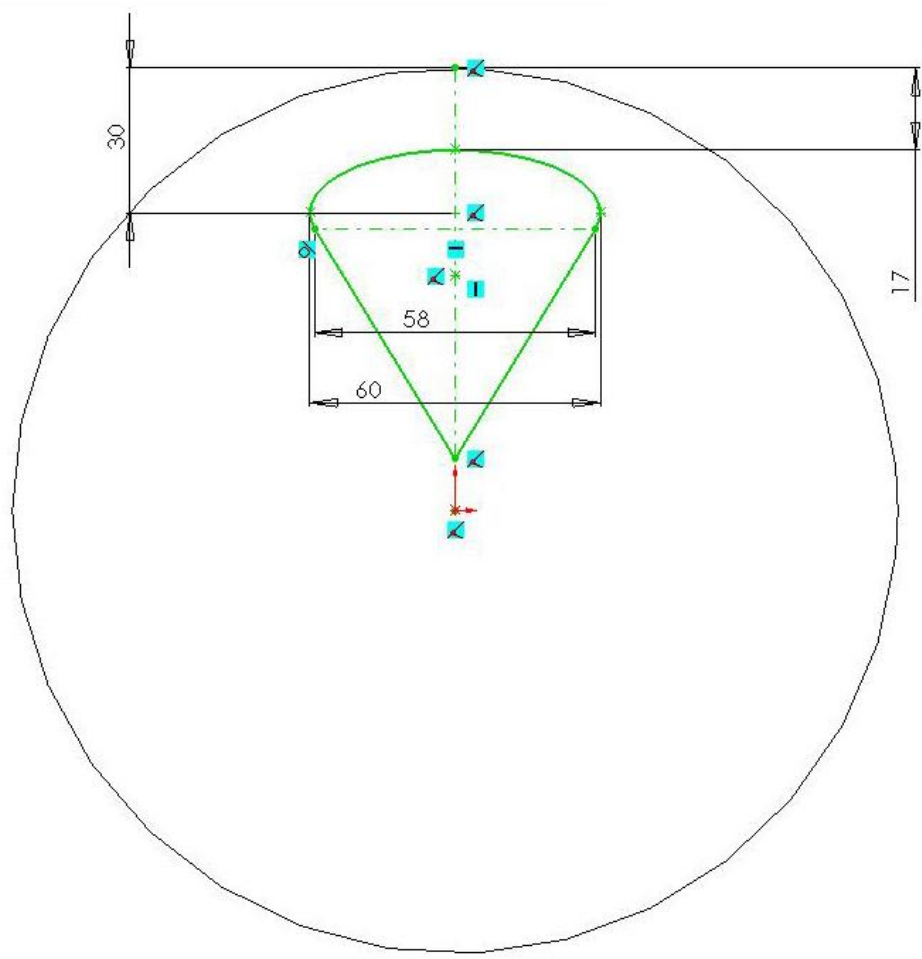
Draft outward

Direction 2

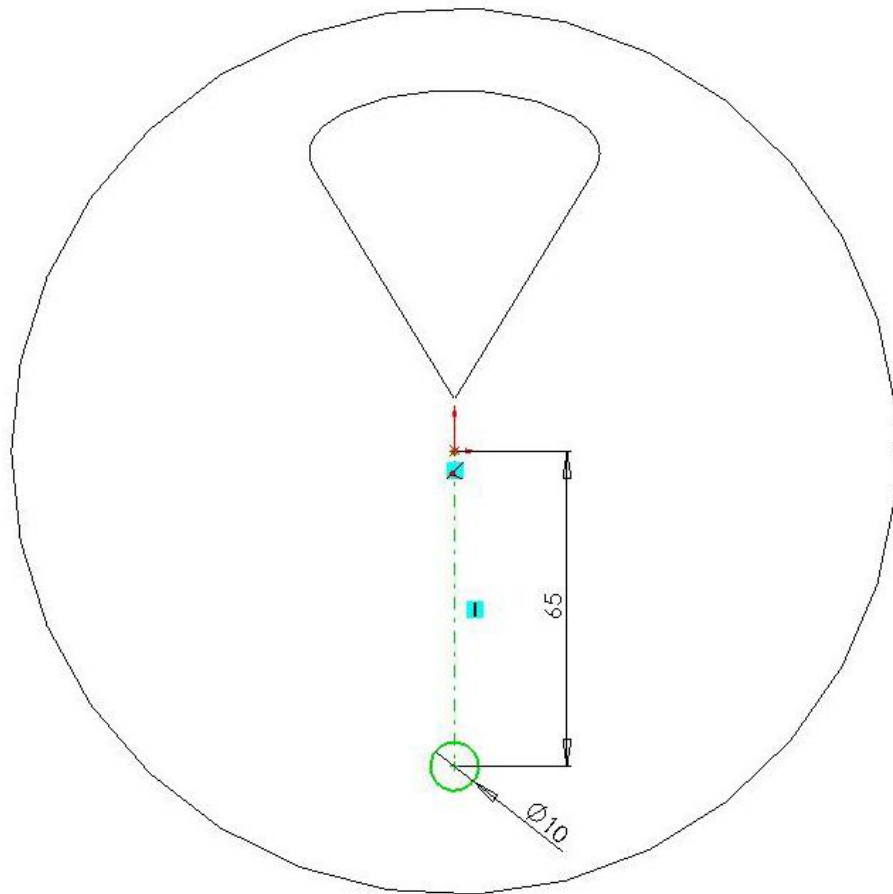
Selected Contours



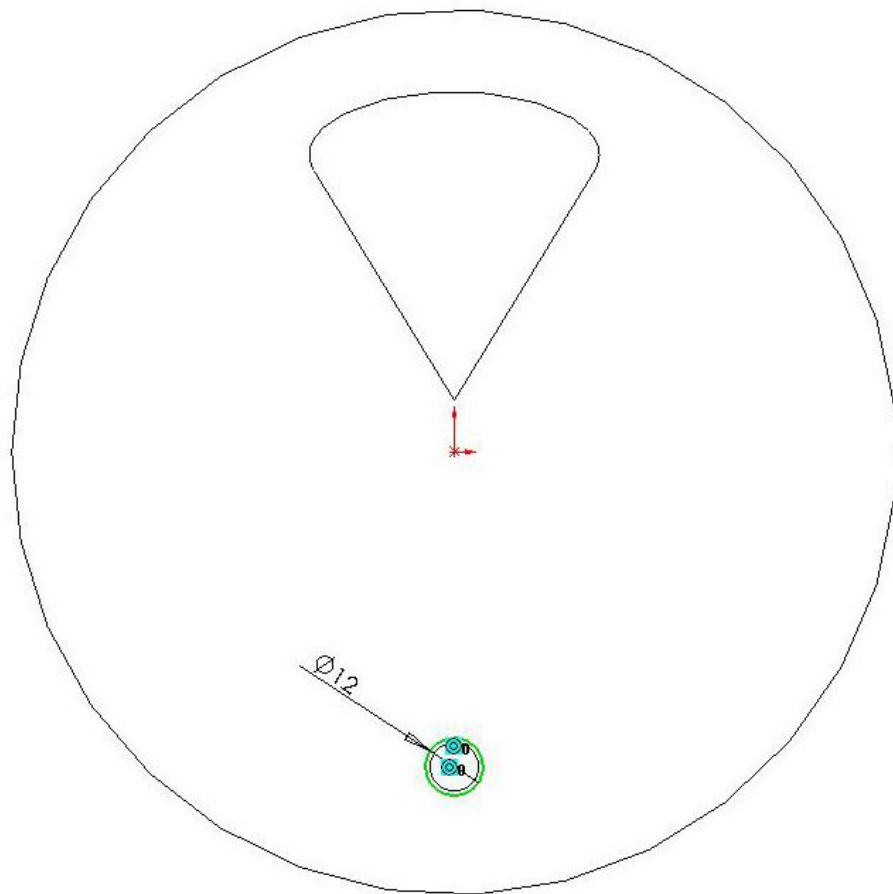
- Sprocket
  - Annotations
  - Design Binder
  - Solid Bodies(1)
  - Material <not specified>
  - Lighting
  - Front
  - Top
  - Right
  - Origin
  - Axis1
  - Extrude1
  - Cut-Extrude1
  - Sketch2
  - Cut-Extrude3
  - Cut-Extrude4
  - CirPattern2
  - Cut-Extrude2
  - Fillet1
  - Chamfer1
  - Cut-Extrude5
  - CirPattern3



- Sprocket
  - Annotations
  - Design Binder
  - Solid Bodies(1)
  - Material <not specified>
  - Lighting
  - Front
  - Top
  - Right
  - Origin
  - Axis1
  - Extrude1
  - Cut-Extrude1
  - Cut-Extrude3
  - Sketch4
  - Cut-Extrude4
  - CirPattern2
  - Cut-Extrude2
  - Fillet1
  - Chamfer1
  - Cut-Extrude5
  - CirPattern3



- Sprocket
  - Annotations
  - Design Binder
  - Solid Bodies(1)
    - Material <not specified>
  - Lighting
    - Front
    - Top
    - Right
    - Origin
    - Axis1
  - Extrude1
  - Cut-Extrude1
  - Cut-Extrude3
  - Cut-Extrude4
  - Sketch5
  - CirPattern2
  - Cut-Extrude2
  - Fillet1
  - Chamfer1
  - Cut-Extrude5
  - CirPattern3



Sprocket

CirPattern2



Parameters

Axis1

360.00deg

5

Equal spacing

Features to Pattern

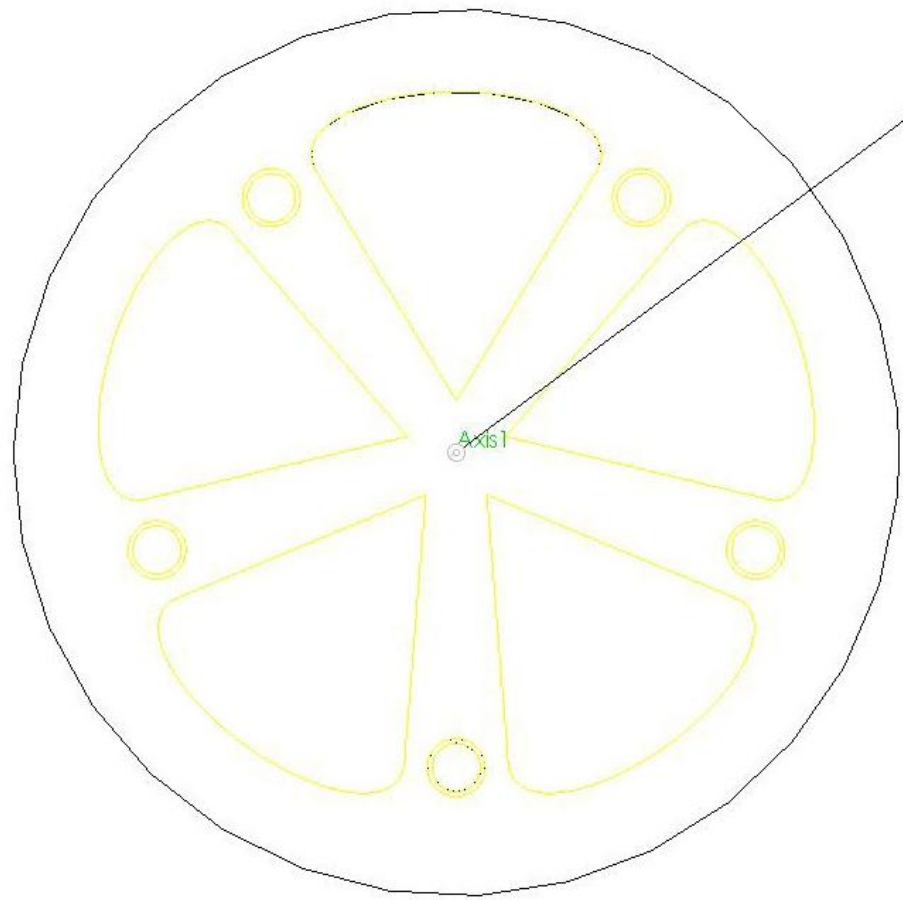
- Cut-Extrude 1
- Cut-Extrude 3
- Cut-Extrude 4

Faces to Pattern

Instances to Skip

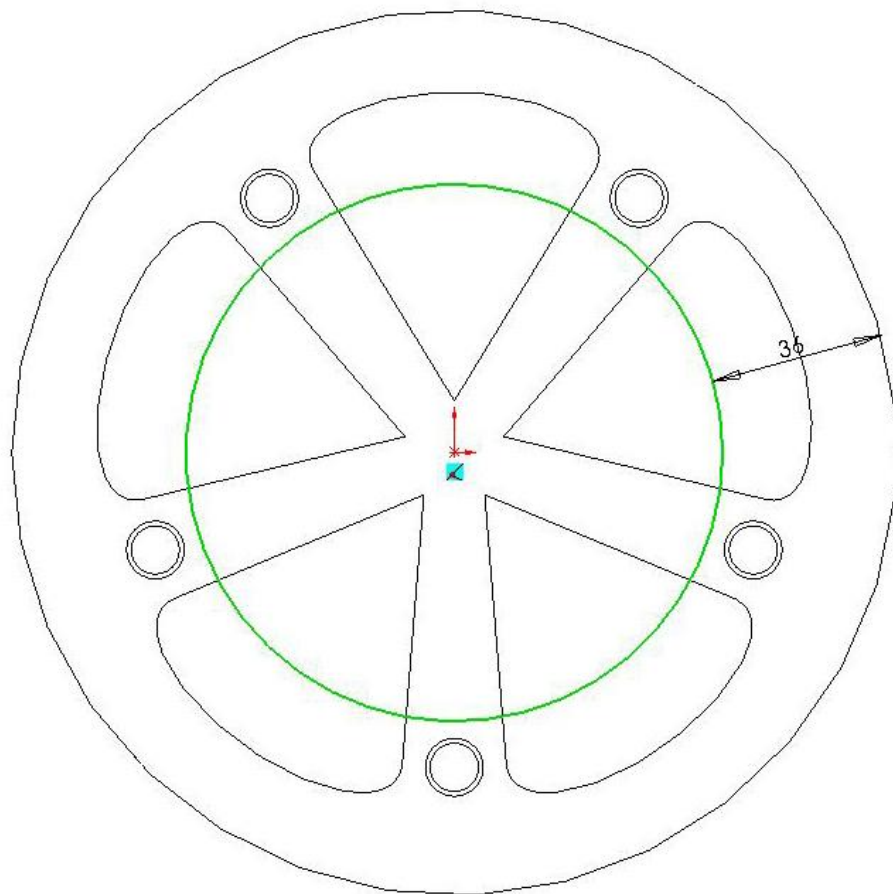
Options

Geometry pattern



Direction 1	
Spacing:	360.00deg
Instances:	5

- Sprocket
  - Annotations
  - Design Binder
  - Solid Bodies(1)
  - Material <not specified>
  - Lighting
  - Front
  - Top
  - Right
  - Origin
  - Axis1
  - Extrude1
  - Cut-Extrude1
  - Cut-Extrude3
  - Cut-Extrude4
  - CirPattern2
  - Cut-Extrude2
  - Sketch3
  - Fillet1
  - Chamfer1
  - Cut-Extrude5
  - CirPattern3



Sprocket

Radius: 2mm

**Fillet1**

✓ ✗ ?

Items To Fillet

2.00mm

Edge <1>  
Edge <2>  
Edge <3>  
Edge <4>

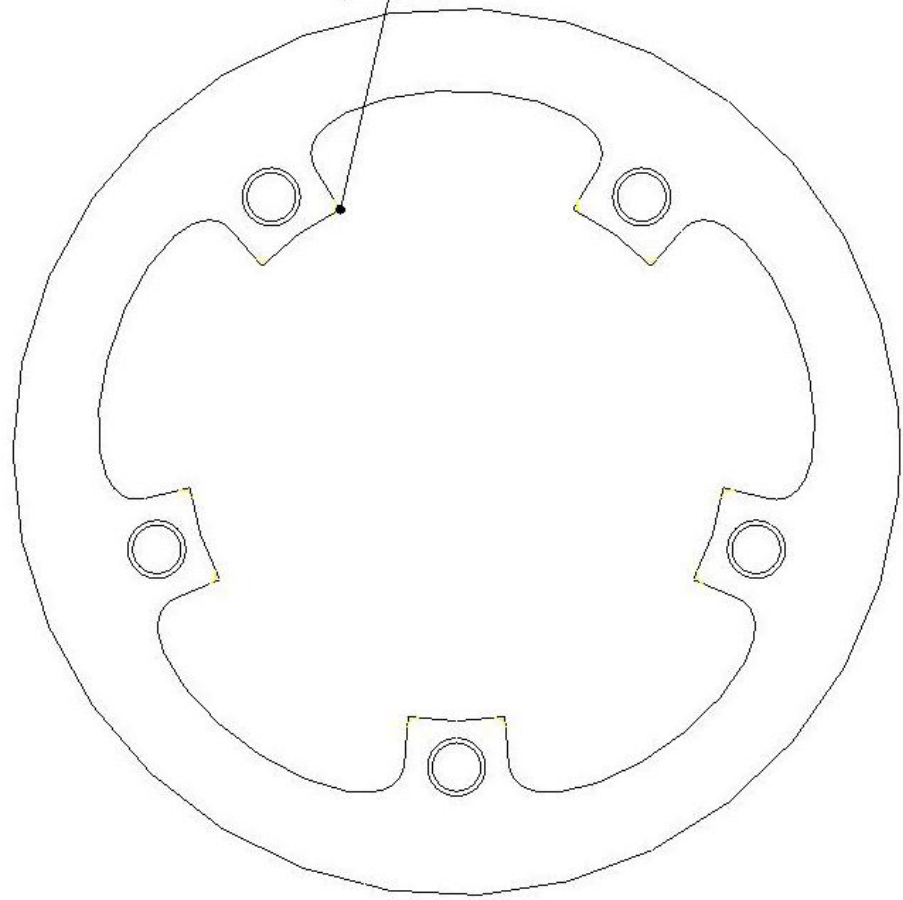
Multiple radius fillet

Tangent propagation

Full preview  
 Partial preview  
 No preview

Setback Parameters

Fillet Options

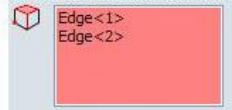




### Chamfer1



#### Chamfer Parameters



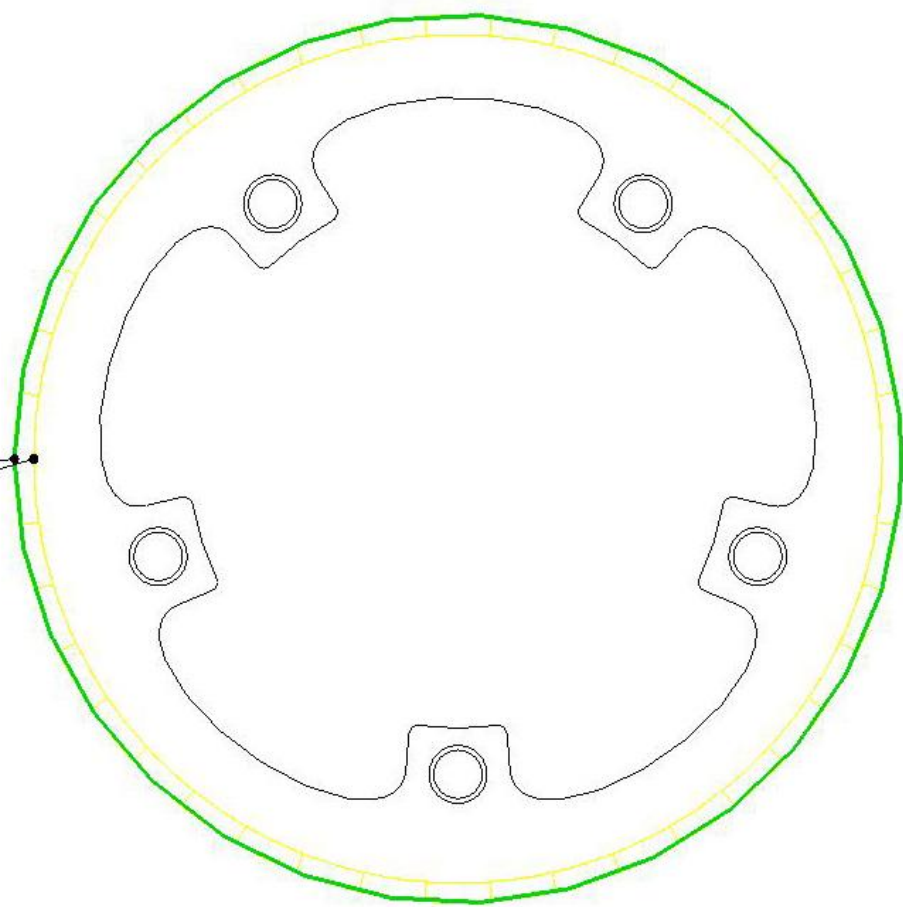
- Angle distance
- Distance distance
- Vertex
- Equal distance

**D1** 1.00mm

**D2** 4.00mm

- Keep features
- Tangent propagation
- Full preview
- Partial preview
- No preview

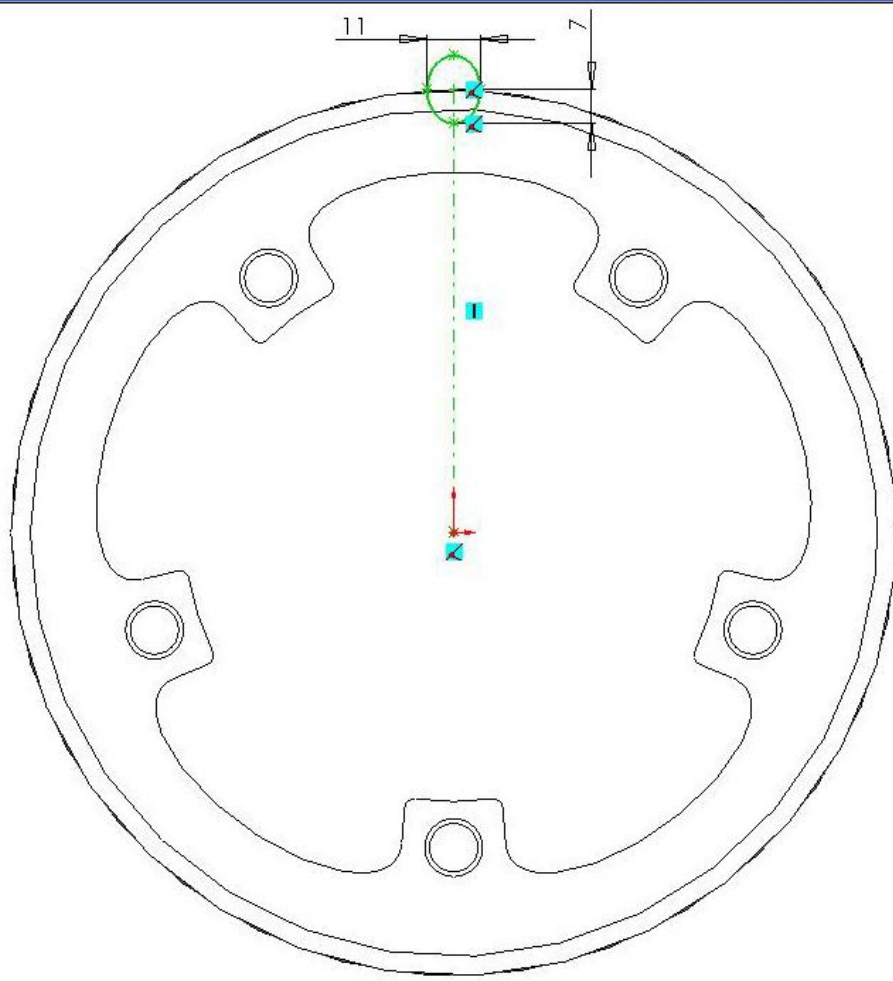
Sprocket



Distance 1: 1.00mm  
Distance 2: 4.00mm



- Sprocket
  - Annotations
  - Design Binder
  - Solid Bodies(1)
  - Material <not specified>
  - Lighting
  - Front
  - Top
  - Right
  - Origin
  - Axis1
  - Extrude1
  - Cut-Extrude1
  - Cut-Extrude3
  - Cut-Extrude4
  - CirPattern2
  - Cut-Extrude2
  - Fillet1
  - Chamfer1
  - Cut-Extrude5
  - Sketch6
  - CirPattern3



Sprocket

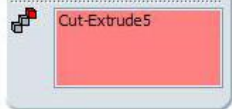
CirPattern3



Parameters

- Axis 1
- 360.00deg
- 44
- Equal spacing

Features to Pattern

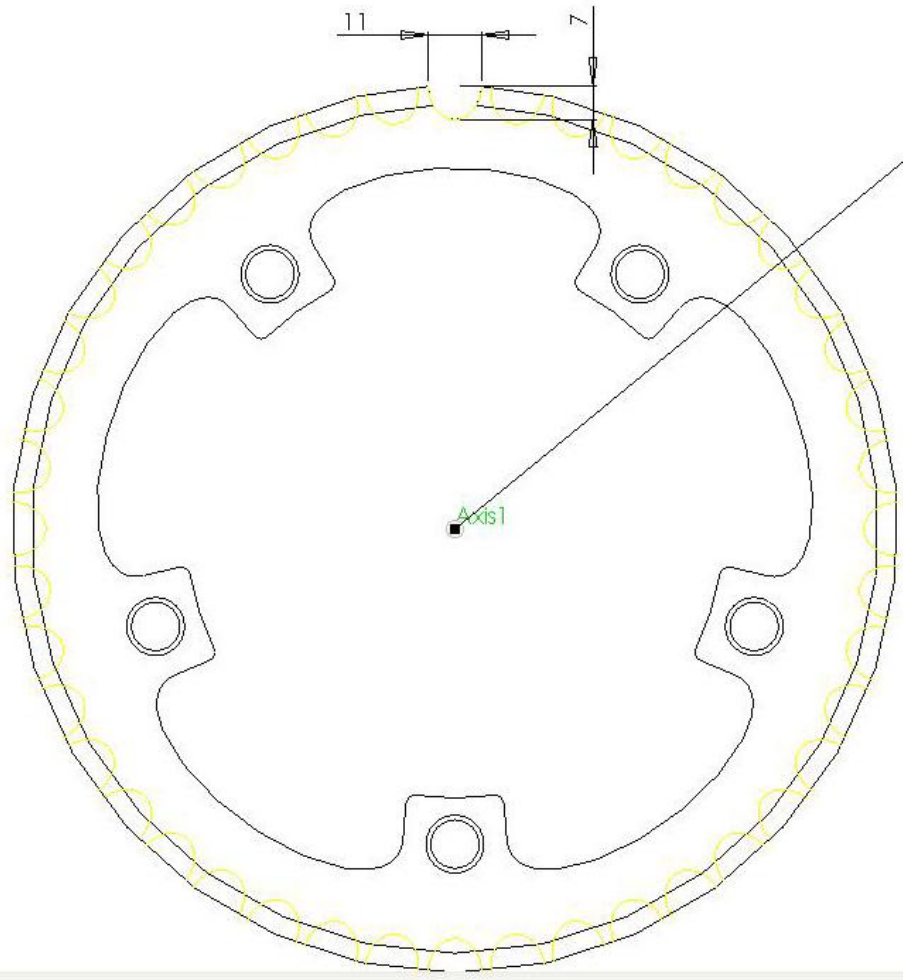


Faces to Pattern



Instances to Skip

- Geometry pattern



Direction 1
Spacing: 360.00deg
Instances: 44

- Sprocket
- Annotations
- Design Binder
- Solid Bodies(1)
- Material <not specified>
- Lighting
- Front
- Top
- Right
- Origin
- Axis1
- Extrude1
- Cut-Extrude1
- Cut-Extrude3
- Cut-Extrude4
- CirPattern2
- Cut-Extrude2
- Fillet1
- Chamfer1
- Cut-Extrude5
- CirPattern3

