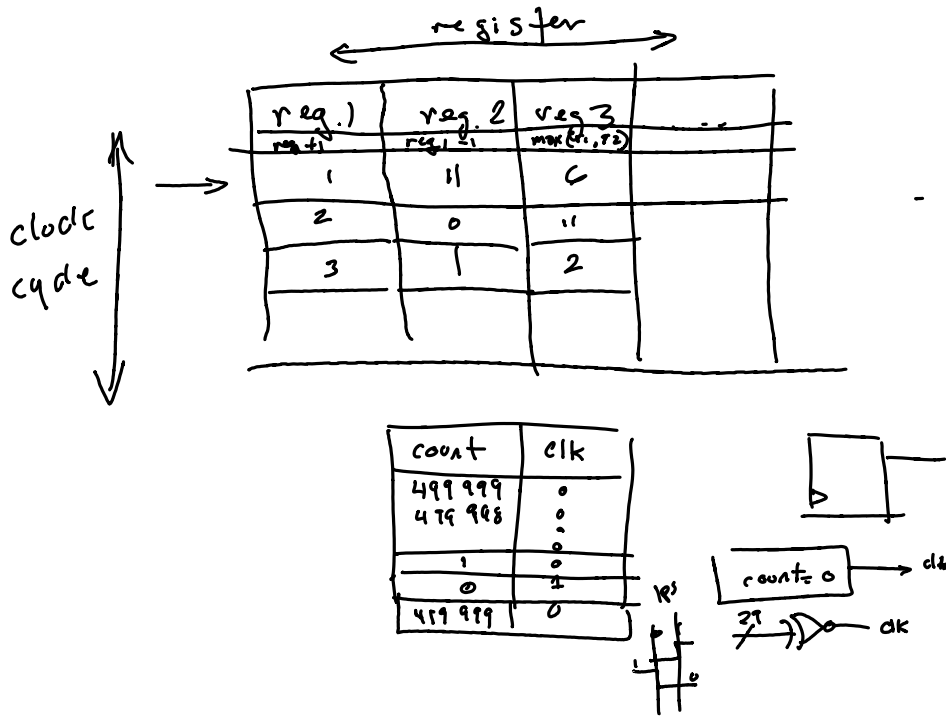
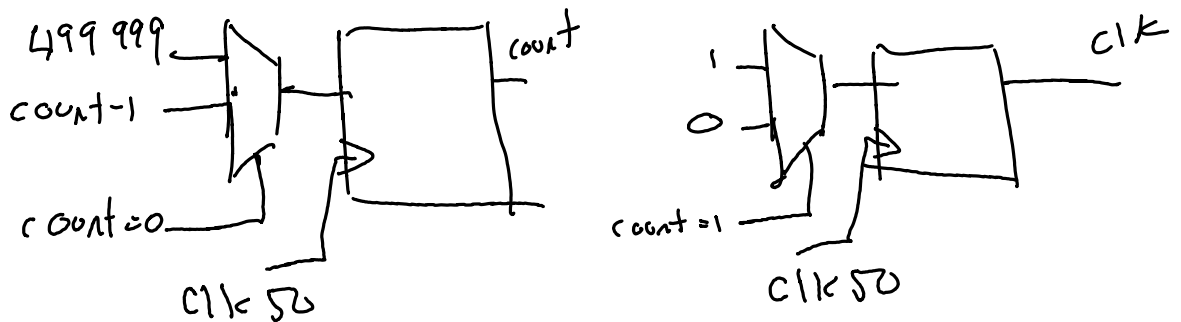


"Tracing" Circuit Operation

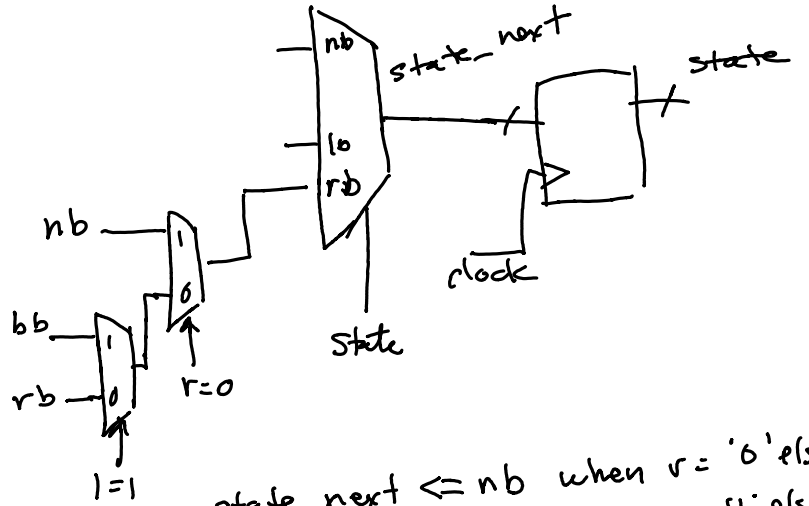
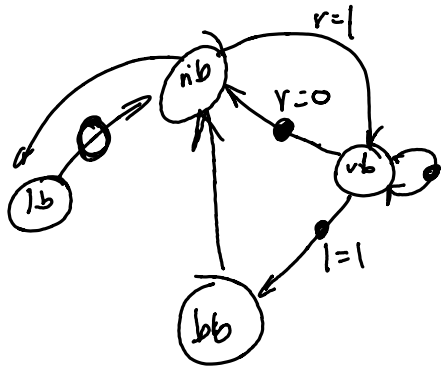
Feb. 21 2020



Lab 5

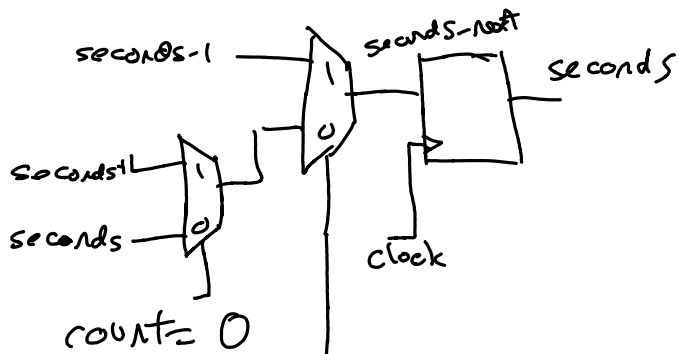
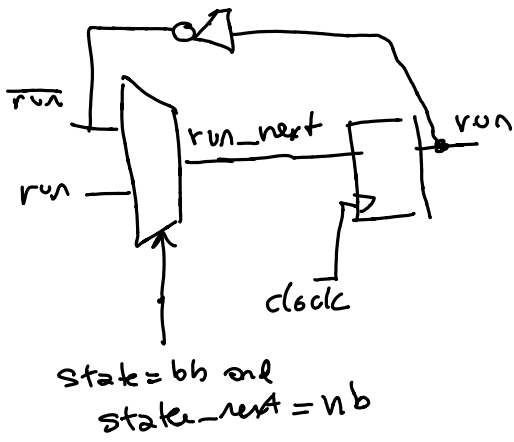


Feb. 25 2020



state_next \leftarrow nb when r = '0' else
bb when l = '1' else
r b ;

state \leftarrow state_next when
rising-edge (clock)



(state = lb and state_next = nb)
or

